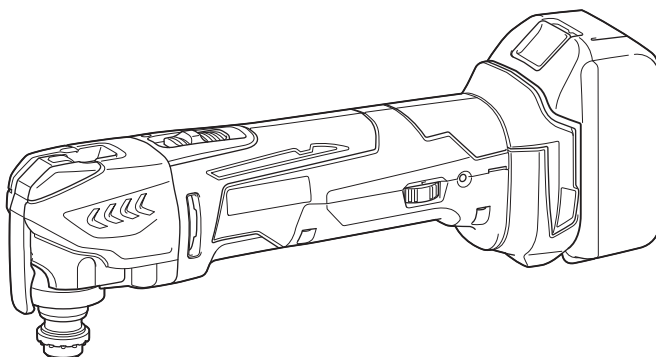
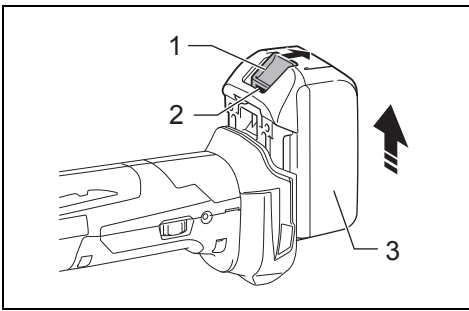




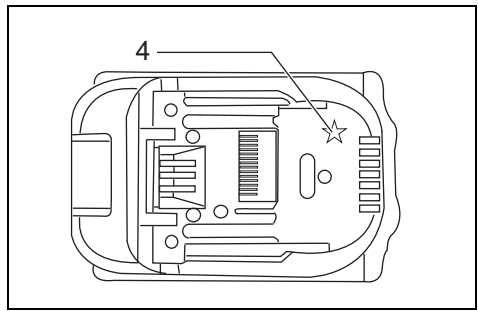
GB	Cordless Multi Tool	Instruction Manual
F	Outil Multi-Fonctions Sans Fil	Manuel d'instructions
D	Akku-Multifunktions-Werkzeug	Betriebsanleitung
I	Utensile multifunzione a batteria	Istruzioni per l'uso
NL	Snoerloze zaag- en schuurmachine	Gebruiksaanwijzing
E	Multitool Inalámbrica	Manual de instrucciones
P	Multicortadora Oscilante a Bateria	Manual de instruções
DK	Akku-multimaskine	Brugsanvisning
GR	Φορητό πολυεργαλείο	Οδηγίες χρήσεως
TR	Akülü Çok Fonksiyonlu Alet	Kullanma kılavuzu

DTM41
DTM51

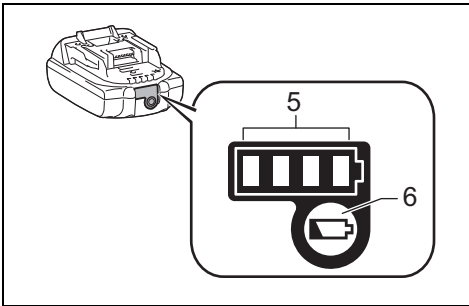




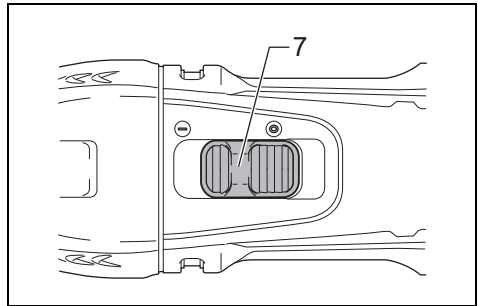
1 014552



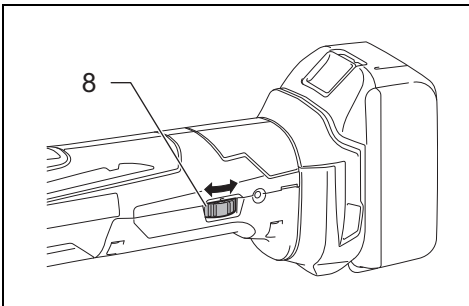
2 012128



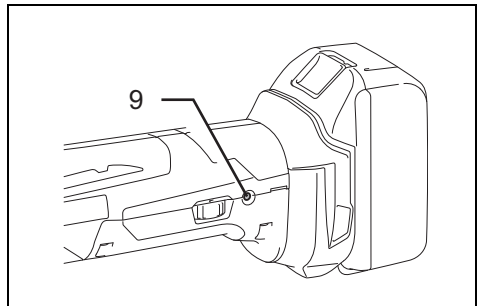
3 015659



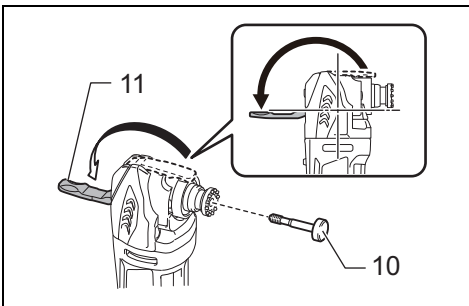
4 014556



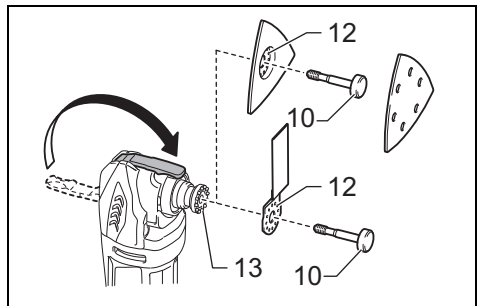
5 014557



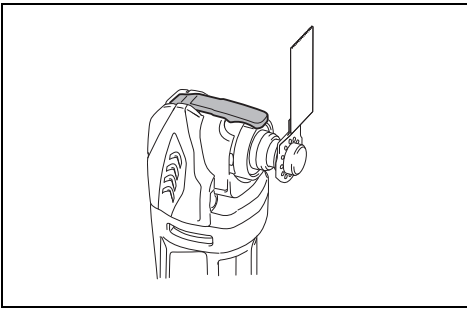
6 014558



7 014555

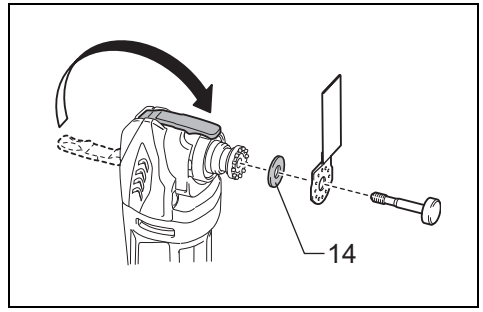


8 014553



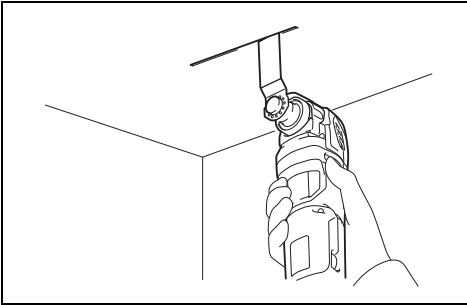
9

014564



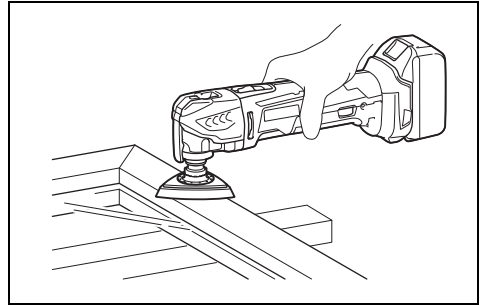
10

014554



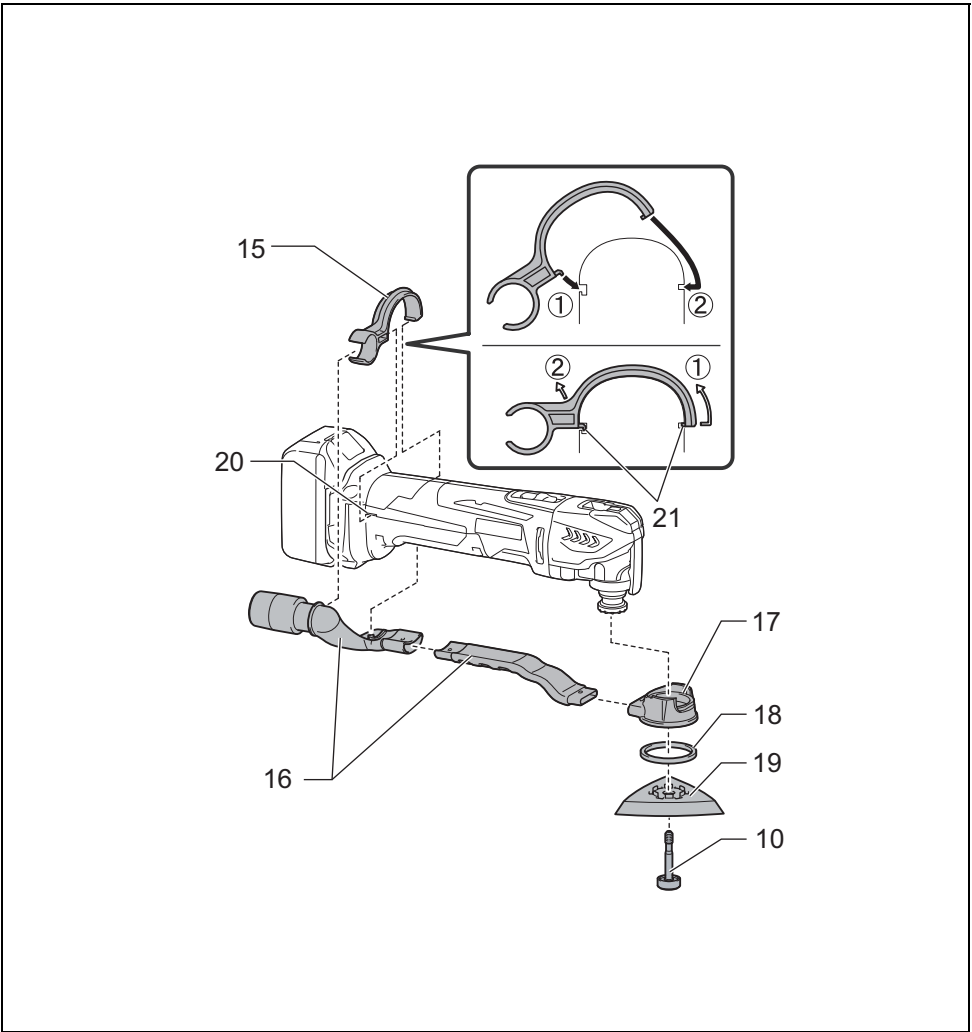
11

014559



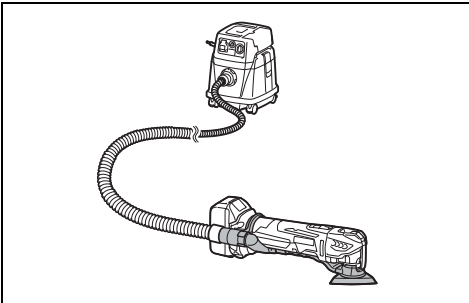
12

014560



13

014561



14

014562

Explanation of general view

1 Button	8 Dial	15 Nozzle band
2 Red indicator	9 Indication lamp	16 Dust nozzle
3 Battery cartridge	10 Holder bolt	17 Dust attachment
4 Star marking	11 Lock lever	18 Felt ring
5 Indicator lamps	12 Holes in the application tool	19 Pad
6 Check button	13 Protrusions of the tool flange	20 Holes in the tool
7 Slide switch	14 Adapter	21 Protrusions on the nozzle band

SPECIFICATIONS

Model		DTM41		DTM51	
Oscillation per minute		6,000 – 20,000 (min ⁻¹)			
Oscillation angle, left/right		1.6° (3.2° total)			
Standard battery cartridge		BL1430/ BL1440/ BL1450	BL1415* BL1415N*	BL1830/ BL1840/ BL1840B/ BL1850/ BL1850B	BL1815* BL1815N* BL1820* BL1820B*
Overall length		340 mm	326 mm	340 mm	326 mm
Net weight	without dust extraction attachment	2.1 kg	2.0 kg	2.2 kg	2.0 kg
	with dust extraction attachment	2.2 kg	2.1 kg	2.3 kg	2.1 kg
Rated voltage		D.C. 14.4 V		D.C. 18 V	

* NOTE: For continuous operation, high capacity battery cartridge BL1430, BL1440, BL1450, BL1830, BL1840, BL1840B, BL1850 and BL1850B is recommended.

- Due to our continuing program of research and development, the specifications herein are subject to change without notice.
- Specifications and battery cartridge may differ from country to country.
- Weight, with battery cartridge, according to EPTA-Procedure 01/2003

ENE080-1

Intended use

The tool is intended for sawing and cutting wood, plastic, gypsum, non-ferrous metals, and fastening elements (e. g. unhardened nails and staples). It is also intended for working soft wall tiles, as well as dry sanding and scraping of small surfaces. It is especially for working close to edge and flush cutting.

GEA010-1

General Power Tool Safety Warnings

⚠ WARNING Read all safety warnings and all instructions. Failure to follow the warnings and instructions may result in electric shock, fire and/or serious injury.

Save all warnings and instructions for future reference.

GEB094-2

CORDLESS MULTI TOOL SAFETY WARNINGS

- 1. This power tool is intended to function for sawing, cutting, grinding and sanding. Read all safety warnings, instructions, illustrations and specifications provided with this power tool.** Failure to follow all instructions listed below may result in electric shock, fire and/or serious injury.
- 2. Hold power tool by insulated gripping surfaces, when performing an operation where the cutting accessory may contact hidden wiring.** Cutting accessory contacting a "live" wire may make exposed metal parts of the power tool "live" and could give the operator an electric shock.
- 3. Use clamps or another practical way to secure and support the workpiece to a stable platform.** Holding the work by hand or against your body leaves it unstable and may lead to loss of control.
- 4. Always use safety glasses or goggles. Ordinary eye or sun glasses are NOT safety glasses.**
- 5. Avoid cutting nails. Inspect workpiece for any nails and remove them before operation.**
- 6. Hold the tool firmly.**
- 7. Make sure the application tool is not contacting the workpiece before the switch is turned on.**
- 8. Keep hands away from moving parts.**
- 9. Do not leave the tool running. Operate the tool only when hand-held.**
- 10. Always switch off and wait for the blade to come to a complete stop before removing the blade from the workpiece.**
- 11. Do not touch the application tool or the workpiece immediately after operation; they may be extremely hot and could burn your skin.**
- 12. Do not operate the tool at no-load unnecessarily.**

13. Always use the correct dust mask/respirator for the material and application you are working with.
14. Some material contains chemicals which may be toxic. Take caution to prevent dust inhalation and skin contact. Follow material supplier safety data.
15. This tool has not been waterproofed, so do not use water on the workpiece surface.
16. Ventilate your work area adequately when you perform sanding operations.
17. Use of this tool to sand some products, paints and wood could expose user to dust containing hazardous substances. Use appropriate respiratory protection.
18. Be sure that there are no cracks or breakage on the pad before use. Cracks or breakage may cause a personal injury.
19. Do not use accessories which are not specifically designed and recommended by the tool manufacturer. Just because the accessory can be attached to your power tool, it does not assure safe operation.
20. Wear personal protective equipment. Depending on application, use face shield, safety goggles or safety glasses. As appropriate, wear hearing protectors, gloves and workshop apron capable of stopping small abrasive or workpiece fragments. The eye protection must be capable of stopping flying debris generated by various operations. The dust mask or respirator must be capable of filtering particles generated by your operation. Prolonged exposure to high intensity noise may cause hearing loss.
21. Keep bystanders a safe distance away from work area. Anyone entering the work area must wear personal protective equipment. Fragments of workpiece or of a broken accessory may fly away and cause injury beyond immediate area of operation.
22. Never lay the power tool down until the accessory has come to a complete stop. The spinning accessory may grab the surface and pull the power tool out of your control.
23. Do not run the power tool while carrying it at your side. Accidental contact with the accessory could snag your clothing, pulling the accessory into your body.
24. Do not operate the power tool near flammable materials. Sparks could ignite these materials.
25. Do not use accessories that require liquid coolants. Using water or other liquid coolants may result in electrocution or shock.
26. Always be sure that the tool is switched off and unplugged or that the battery cartridge is removed before carrying out any work on the tool.
27. Always be sure you have a firm footing. Be sure no one is below when using the tool in high locations.

SAVE THESE INSTRUCTIONS.



WARNING:

DO NOT let comfort or familiarity with product (gained from repeated use) replace strict adherence to safety rules for the subject product. MISUSE or failure to follow the safety rules stated in this instruction manual may cause serious personal injury.

ENC007-9

IMPORTANT SAFETY INSTRUCTIONS

FOR BATTERY CARTRIDGE

1. Before using battery cartridge, read all instructions and cautionary markings on (1) battery charger, (2) battery, and (3) product using battery.
2. Do not disassemble battery cartridge.
3. If operating time has become excessively shorter, stop operating immediately. It may result in a risk of overheating, possible burns and even an explosion.
4. If electrolyte gets into your eyes, rinse them out with clear water and seek medical attention right away. It may result in loss of your eyesight.
5. Do not short the battery cartridge:
 - (1) Do not touch the terminals with any conductive material.
 - (2) Avoid storing battery cartridge in a container with other metal objects such as nails, coins, etc.
 - (3) Do not expose battery cartridge to water or rain.

A battery short can cause a large current flow, overheating, possible burns and even a breakdown.
6. Do not store the tool and battery cartridge in locations where the temperature may reach or exceed 50°C (122°F).
7. Do not incinerate the battery cartridge even if it is severely damaged or is completely worn out. The battery cartridge can explode in a fire.
8. Be careful not to drop or strike battery.
9. Do not use a damaged battery.
10. Follow your local regulations relating to disposal of battery.

SAVE THESE INSTRUCTIONS.

Tips for maintaining maximum battery life

1. Charge the battery cartridge before completely discharged.

Always stop tool operation and charge the battery cartridge when you notice less tool power.
2. Never recharge a fully charged battery cartridge. Overcharging shortens the battery service life.
3. Charge the battery cartridge with room temperature at 10°C – 40°C (50°F – 104°F). Let a hot battery cartridge cool down before charging it.
4. Charge the battery cartridge if you do not use it for a long period (more than six months).

FUNCTIONAL DESCRIPTION

⚠ WARNING:

- Always be sure that the tool is switched off and battery cartridge is removed before adjusting or checking function on the tool. Failure to switch off and remove the battery cartridge may result in serious personal injury from accidental start-up.

Installing or removing battery cartridge (Fig. 1)

⚠ CAUTION:

- Always switch off the tool before installing or removing of the battery cartridge.
- Hold the tool and the battery cartridge firmly when installing or removing battery cartridge. Failure to hold the tool and the battery cartridge firmly may cause them to slip off your hands and result in damage to the tool and battery cartridge and a personal injury.

To remove the battery cartridge, slide it from the tool while sliding the button on the front of the cartridge.

To install the battery cartridge, align the tongue on the battery cartridge with the groove in the housing and slip it into place. Insert it all the way until it locks in place with a little click. If you can see the red indicator on the upper side of the button, it is not locked completely.

⚠ CAUTION:

- Always install the battery cartridge fully until the red indicator cannot be seen. If not, it may accidentally fall out of the tool, causing injury to you or someone around you.
- Do not install the battery cartridge forcibly. If the cartridge does not slide in easily, it is not being inserted correctly.

Battery protection system (Lithium-ion battery with star marking) (Fig. 2)

Lithium-ion batteries with a star marking are equipped with a protection system. This system automatically cuts off power to the tool to extend battery life.

The tool will automatically stop during operation if the tool and/or battery are placed under one of the following conditions:

- Overloaded:

The tool is operated in a manner that causes it to draw an abnormally high current.

In this situation, slide the slide switch on the tool toward the "O (OFF)" position and stop the application that caused the tool to become overloaded. Then slide the slide switch toward the "I (ON)" position again to restart.

If the tool does not start, the battery is overheated. In this situation, let the battery cool before sliding the slide switch toward the "I (ON)" position again.

- Low battery voltage:

The remaining battery capacity is too low and the tool will not operate. In this situation, remove and recharge the battery.









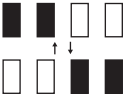
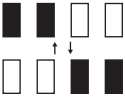


Overheat protection

When the tool is overloaded and the tool temperature reaches a certain level, the tool automatically stops. In this situation, let the tool cool before turning on the tool again.

Indicating the remaining battery capacity (Fig. 3)

(Only for battery cartridges with "B" at the end of the model number.)

Press the check button on the battery cartridge to indicate the remaining battery capacity. The indicator lamps light up for few seconds.

Indicator lamps			Remaining capacity
Lighted	Off	Blinking	
			75% to 100%
			50% to 75%
			25% to 50%
			0% to 25%
			Charge the battery.
			The battery may have malfunctioned.

015658

NOTE:

- Depending on the conditions of use and the ambient temperature, the indication may differ slightly from the actual capacity.

Switch action (Fig. 4)

⚠ CAUTION:

- Before installing the battery cartridge into the tool, always check to see that the tool is switched off.

To start the tool, slide the slide switch toward the "I (ON)" position.

To stop the tool, slide the slide switch toward the "O (OFF)" position.

Adjusting the orbital stroke rate (Fig. 5)

The orbital stroke rate is adjustable. To change the orbital stroke rate, turn the dial between 1 and 6. The higher the number is, the higher the orbital stroke rate is. Preset the dial to the number suitable for your workpiece.

NOTE:

- The dial cannot be turned directly from 1 to 6 or from 6 to 1. Forcing the dial may damage the tool. When changing the dial direction, always turn the dial moving it through each intermediate number.

Indication lamp (Fig. 6)

- When the remaining battery capacity gets low, the indication lamp blinks.
- When the remaining battery capacity gets much lower, the tool stops during operation and the indication lamp lights up about 10 seconds.

At this time, remove the battery cartridge from the tool and charge it.

ASSEMBLY

CAUTION:

- Always be sure that the tool is switched off and the battery cartridge is removed before carrying out any work on the tool.

Installing or removing application tool (optional accessory) (Fig. 7, 8, 9 & 10)

WARNING:

- Do not install application tool upside down. Installing application tool upside down may damage the tool and cause serious personal injury.
- Install attachment tool in the correct direction according to your work. Application tool can be installed at an angle of every 30 degree.

CAUTION:

- Be careful when closing the lock lever. The lock lever may close suddenly and pinch your finger.
- Clean up dust and perform lubrication on the moving part of the lock lever from time to time. Otherwise dust may accumulate in the moving part of the lock lever and hinder its smooth movement.
- Do not start the tool while the lever opens. The tool may be damaged.

1. Open the lock lever fully. And remove the holder bolt.
2. Put an application tool (optional accessory) on the tool flange so that the protrusions of the tool flange fit in the holes in the application tool.
3. Insert the holder bolt till it stops. And then, return the lock lever to its original position.

When using sanding application tool, mount the application tool on the sanding pad so that it matches the sanding pad direction.

The sanding pad has a hook and loop type fitting system which allows easy and rapid fitting of a sanding paper.

As sanding papers have holes for dust extraction, mount a sanding paper so that the holes in a sanding paper match those in the sanding pad.

To remove a sanding paper, raise its end and peel it off.

To remove the holder bolt, follow the installation procedures in reverse.

When using application tools with a different type of installation section, use a correct adapter (optional accessory).

OPERATION

WARNING:

- Before starting the tool and during operation, keep your hand and face away from the application tool.

CAUTION:

- Do not apply excessive load to the tool which may cause a motor lock and stop the tool.

Cutting, sawing and scraping (Fig. 11)

CAUTION:

- Do not move on the tool forcibly in the direction (eg. towards either side) of tool application with no cutting edge. It may damage the tool.

Put the application tool on the workpiece.

And then move the tool forward so that the application tool movement does not slow down.

NOTE:

- Forcing or excessive pressure on the tool may reduce efficiency.
- Before cutting operation, it is recommended to preset the orbital stroke rate 4 – 6.
- Remove sawdust by drawing the tool adequately. It increases work efficiency.
- The round saw is recommended for cutting long straight line.

Sanding (Fig. 12)

CAUTION:

- Do not reuse a sanding paper used for sanding metal to sand wood.
- Do not use a worn sanding paper or sanding paper without grit.

Apply a sanding paper on the workpiece.

NOTE:

- Using a test material sample to try is recommendable to determine a correct orbital stroke rate suitable for your work.
- Use a sanding paper with the same grit until sanding the whole workpiece is completed. Replacing a sanding paper with different grit sanding paper may not get a fine finish.

Dust extraction attachment (optional accessory) (Fig. 13 & 14)

- Install dust nozzles and dust attachment.
- Install the nozzle band on the tool so that its protrusions fit in the holes in the tool to secure it.
- Put the felt ring and the sanding pad on the dust attachment and then secure them with the application tool installation bolt.

When you wish to perform cleaner operation, connect a vacuum cleaner to your tool. Connect a hose of vacuum cleaner to the dust extraction attachment (optional accessory).

MAINTENANCE

CAUTION:

- Always be sure that the tool is switched off and the battery cartridge is removed before attempting to perform inspection or maintenance.
- Never use gasoline, benzine, thinner, alcohol or the like. Discoloration, deformation or cracks may result.

To maintain product SAFETY and RELIABILITY, repairs, carbon brush inspection and replacement, any other maintenance or adjustment should be performed by Makita Authorized Service Centers, always using Makita replacement parts.

OPTIONAL ACCESSORIES

CAUTION:

- These accessories or attachments are recommended for use with your Makita tool specified in this manual. The use of any other accessories or attachments might present a risk of injury to persons. Only use accessory or attachment for its stated purpose.

If you need any assistance for more details regarding these accessories, ask your local Makita Service Center.

- Segment saw blade
- Round saw blade
- Plunge cut saw blade

- Scraper (rigid)
- Scraper (flexible)
- Serrated seg blade
- General joint cutter
- HM remover
- HM seg saw blade
- HM sanding plate
- Diamond seg sawblade
- Sanding pad
- Adapter
- Abrasive paper delta (red / white / black)
- Fleece delta (medium / coarse / without grit)
- Polishing felt delta
- Hex wrench
- Dust extraction attachment
- Makita genuine battery and charger

NOTE:

- Some items in the list may be included in the tool package as standard accessories. They may differ from country to country.

ENG905-1

Noise

The typical A-weighted noise level determined according to EN60745:

Work mode: Sanding

Model DTM41

Sound pressure level (L_{pA}): 76 dB (A)

Uncertainty (K): 3 dB (A)

The noise level under working may exceed 80 dB (A).

Model DTM51

Sound pressure level (L_{pA}): 77 dB (A)

Uncertainty (K): 3 dB (A)

The noise level under working may exceed 80 dB (A).

Work mode: Cutting with plunge cut saw blade

Model DTM41

Sound pressure level (L_{pA}): 80 dB (A)

Sound power level (L_{WA}): 91 dB (A)

Uncertainty (K): 3 dB (A)

Model DTM51

Sound pressure level (L_{pA}): 81 dB (A)

Sound power level (L_{WA}): 92 dB (A)

Uncertainty (K): 3 dB (A)

Work mode: Cutting with segmental saw blade

Model DTM41

Sound pressure level (L_{pA}): 77 dB (A)

Uncertainty (K): 3 dB (A)

The noise level under working may exceed 80 dB (A).

Model DTM51

Sound pressure level (L_{pA}): 76 dB (A)

Uncertainty (K): 3 dB (A)

The noise level under working may exceed 80 dB (A).

Work mode: Scraping

Model DTM41

Sound pressure level (L_{pA}): 78 dB (A)

Uncertainty (K): 3 dB (A)

The noise level under working may exceed 80 dB (A).

Model DTM51

Sound pressure level (L_{pA}): 80 dB (A)

Sound power level (L_{WA}): 91 dB (A)

Uncertainty (K): 3 dB (A)

Wear ear protection**Vibration**

The vibration total value (tri-axial vector sum) determined according to EN60745:

Model DTM41

Work mode: sanding

Vibration emission (a_h): 3.0 m/s²

Uncertainty (K): 1.5 m/s²

Model DTM51

Work mode : sanding

Vibration emission (a_h): 3.0 m/s²

Uncertainty (K): 1.5 m/s²

Model DTM41

Work mode : cutting with plunge cut saw blade

Vibration emission (a_h): 7.0 m/s²

Uncertainty (K): 1.5 m/s²

Model DTM51

Work mode: cutting with plunge cut saw blade

Vibration emission (a_h): 7.0 m/s²

Uncertainty (K): 1.5 m/s²

Model DTM41

Work mode: cutting with segment saw blade

Vibration emission (a_h): 4.5 m/s²

Uncertainty (K): 1.5 m/s²

Model DTM51

Work mode: cutting with segment saw blade

Vibration emission (a_h): 4.5 m/s²

Uncertainty (K): 1.5 m/s²

Model DTM41

Work mode: scraping

Vibration emission (a_h): 5.0 m/s²

Uncertainty (K): 1.5 m/s²

Model DTM51

Work mode: scraping

Vibration emission (a_h): 5.5 m/s²

Uncertainty (K): 1.5 m/s²

ENG901-1

- The declared vibration emission value has been measured in accordance with the standard test method and may be used for comparing one tool with another.
- The declared vibration emission value may also be used in a preliminary assessment of exposure.

⚠ WARNING:

- The vibration emission during actual use of the power tool can differ from the declared emission value depending on the ways in which the tool is used.
- Be sure to identify safety measures to protect the operator that are based on an estimation of exposure in the actual conditions of use (taking account of all parts of the operating cycle such as the times when the tool is switched off and when it is running idle in addition to the trigger time).

For European countries only

EC Declaration of Conformity

Makita declares that the following Machine(s):

Designation of Machine:

Cordless Multi Tool

Model No./ Type: DTM41, DTM51

Conforms to the following European Directives:

2006/42/EC

They are manufactured in accordance with the following standard or standardized documents:

EN60745

The technical file in accordance with 2006/42/EC is available from:

Makita, Jan-Baptist Vinkstraat 2, 3070, Belgium

18.7.2013



Yasushi Fukaya
Director

Makita, Jan-Baptist Vinkstraat 2, 3070, Belgium

Descriptif

1 Bouton	10 Boulon de fixation	17 Fixation de raccord à poussières
2 Indicateur rouge	11 Levier de verrouillage	18 Anneau de feutre
3 Batterie	12 Orifices de l'accessoire d'application	19 Patin de ponçage
4 Marque étoilée	13 Parties saillantes du flasque de l'outil	20 Orifices de l'outil
5 Voyants lumineux	14 Adaptateur	21 Parties saillantes du collier de raccord
6 Bouton de vérification	15 Collier de raccord	
7 Interrupteur à glissière	16 Raccord à poussières	
8 Cadran		
9 Témoin indicateur		

SPÉCIFICATIONS

Modèle		DTM41		DTM51	
Oscillations par minute		6 000 – 20 000 (min ⁻¹)			
Angle d'oscillation, gauche/droite		1,6° (total 3,2°)			
Batterie standard		BL1430/ BL1440/ BL1450	BL1415*/ BL1415N*	BL1830/ BL1840/ BL1840B/ BL1850/ BL1850B	BL1815*/ BL1815N*/ BL1820*/ BL1820B*
Longueur totale		340 mm	326 mm	340 mm	326 mm
Poids net	sans fixation de raccord à poussières	2,1 kg	2,0 kg	2,2 kg	2,0 kg
	avec fixation de raccord à poussières	2,2 kg	2,1 kg	2,3 kg	2,1 kg
Tension nominale		14,4 V CC		18 V CC	

* NOTE : Pour un fonctionnement continu, il est recommandé d'utiliser une batterie de grande capacité BL1430, BL1440, BL1450, BL1830, BL1840, BL1840B, BL1850 et BL1850B.

- Étant donné l'évolution constante de notre programme de recherche et de développement, les spécifications contenues dans ce manuel sont sujettes à modification sans préavis.
- Les spécifications et la batterie peuvent être différentes suivant les pays.
- Poids, avec la batterie, conformément à la procédure EPTA-01/2003

GEA010-1

Consignes de sécurité générales pour outils électriques

⚠ AVERTISSEMENT Veuillez lire toutes les mises en garde et toutes les instructions. Il y a risque de choc électrique, d'incendie et/ou de blessure grave si les mises en garde et les instructions ne sont pas respectées.

Conservez toutes les mises en garde et instructions pour référence ultérieure.

ENE080-1

GEA094-2

Utilisations

L'outil est conçu pour scier et couper dans le bois, le plastique, le gypse et les métaux non ferreux, ainsi que pour fixer des éléments (tels qu'agrafes et clous en acier non trempé). Il est aussi conçu pour les travaux sur carrelage mural souple, ainsi que pour le ponçage à sec et le raclage de petites surfaces. Il convient tout particulièrement pour le travail près des bords de la pièce et pour les coupes à ras.

CONSIGNES DE SÉCURITÉ POUR OUTIL MULTI-FONCTIONS SANS FIL

1. **Cet outil électrique est conçu pour le sciage, la coupe, le meulage et le ponçage. Veuillez consulter tous les avertissements, instructions, illustrations et spécifications qui accompagnent cet outil électrique.** Il y a risque de choc électrique, d'incendie ou de blessure grave si les instructions ne sont pas toutes respectées.

2. Saisissez l'outil électrique uniquement par ses surfaces de poigne isolées lorsque vous effectuez des travaux au cours desquels l'accessoire tranchant peut entrer en contact avec des fils cachés. Le contact de l'accessoire tranchant avec un fil sous tension peut également mettre sous tension les parties métalliques exposées de l'outil électrique, causant ainsi un choc électrique chez l'utilisateur.
3. Utilisez des dispositifs de serrage ou autres moyens pratiques pour fixer et soutenir la pièce sur une surface stable. La pièce sera instable et vous risquez d'en perdre la maîtrise si vous la tenez dans vos mains ou l'appuyez contre votre corps.
4. Portez toujours des lunettes de sécurité ou des lunettes à coques. Les lunettes ordinaires et les lunettes de soleil NE sont PAS des lunettes de sécurité.
5. Évitez de couper les clous. Avant de commencer le travail, inspectez la pièce et retirez tous les clous.
6. Tenez l'outil fermement.
7. Assurez-vous que l'accessoire d'application n'est pas en contact avec la pièce avant de faire démarrer l'outil.
8. Gardez les mains éloignées des pièces en mouvement.
9. Ne vous éloignez pas en laissant l'outil tourner. Ne le faites fonctionner que lorsque vous l'avez bien en main.
10. Éteignez-le toujours et attendez l'arrêt complet de la lame avant de la retirer de la pièce.
11. Ne touchez ni l'accessoire d'application ni la pièce immédiatement après l'exécution du travail ; ils peuvent être extrêmement chauds et vous brûler la peau.
12. Ne faites pas tourner l'outil à vide inutilement.
13. Portez toujours un masque antipoussières ou un respirateur adapté au matériau travaillé et à l'application utilisée.
14. Certains matériaux contiennent des produits chimiques qui peuvent être toxiques. Prenez les précautions nécessaires pour éviter que la poussière dégagée lors du travail ne soit inhalée ou n'entre en contact avec la peau. Suivez les consignes de sécurité du fournisseur du matériau.
15. Cet outil n'est pas étanche à l'eau ; n'utilisez pas d'eau sur la surface de la pièce.
16. Aérez bien la zone de travail lorsque vous effectuez un travail de ponçage.
17. L'utilisation de cet outil pour poncer certains produits, peintures et bois peut exposer l'utilisateur à des poussières qui contiennent des substances dangereuses. Portez une protection respiratoire adéquate.
18. Avant l'utilisation, vérifiez l'absence de fissures ou de bris sur le patin de ponçage. Les fissures et bris comportent un risque de blessure corporelle.
19. N'utilisez pas d'accessoires non conçus spécifiquement pour le travail à effectuer et non recommandés par le fabricant de l'outil. Le fait qu'un accessoire puisse être fixé à l'outil électrique ne signifie pas qu'il fonctionnera sans danger.
20. Portez des dispositifs de protection personnelle. Suivant le travail à effectuer, portez un écran facial, des lunettes à coques ou des lunettes de sécurité. Au besoin, portez des protections d'oreilles, des gants de travail et un tablier de travail capable de bloquer les petites projections abrasives ou les fragments de pièce. Le dispositif de protection des yeux doit pouvoir bloquer les débris éjectés lors des diverses opérations. Le masque antipoussières ou le respirateur doit pouvoir filtrer les particules générées pendant l'exécution du travail. L'exposition prolongée à un bruit de grande intensité peut affecter l'ouïe.
21. Ne laissez pas les curieux trop approcher de la zone de travail. Toute personne pénétrant dans la zone de travail doit porter des dispositifs de protection personnelle. Des fragments de la pièce ou d'un accessoire cassé peuvent être éjectés et causer une blessure au-delà de la zone immédiate de travail.
22. Ne déposez jamais l'outil électrique avant que l'accessoire n'ait complètement cessé de tourner. L'accessoire en rotation peut accrocher la surface de la pièce et entraîner du même coup une perte de maîtrise de l'outil.
23. Ne laissez pas l'outil tourner pendant que vous le transportez sur le côté. L'accessoire risquerait d'accrocher accidentellement vos vêtements et d'être attiré du même coup vers votre corps.
24. N'utilisez pas l'outil électrique près de matériaux inflammables. Les étincelles peuvent enflammer ces matériaux.
25. N'utilisez pas d'accessoires pour lesquels un liquide de refroidissement est nécessaire. L'utilisation d'eau ou autre liquide de refroidissement peut causer une électrocution ou un choc électrique.
26. Avant toute intervention sur l'outil, assurez-vous toujours que le contact est coupé, que l'outil est débranché et que la batterie est retirée.
27. Assurez-vous toujours de travailler en position stable. Lorsque vous utilisez l'outil dans un endroit élevé, assurez-vous qu'il n'y a personne en bas.

CONSERVEZ CES INSTRUCTIONS.

AVERTISSEMENT :

NE vous laissez PAS tromper (au fil d'une utilisation répétée) par un sentiment d'aisance et de familiarité avec le produit, en négligeant le respect rigoureux des consignes de sécurité qui accompagnent le produit en question. La MAUVAISE UTILISATION de l'outil ou l'ignorance des consignes de sécurité indiquées dans ce manuel d'instructions peut entraîner une blessure grave.

ENC007-9

CONSIGNES DE SÉCURITÉ IMPORTANTES

POUR LA BATTERIE

1. Avant d'utiliser la batterie, lisez toutes les instructions et précautions relatives (1) au chargeur de batterie, (2) à la batterie, et (3) à l'outil utilisant la batterie.
2. Ne démontez pas la batterie.

3. Cessez immédiatement l'utilisation si le temps de fonctionnement devient excessivement court. Il y a risque de surchauffe, de brûlures, voire d'explosion.
4. Si l'électrolyte pénètre dans vos yeux, rincez-les à l'eau claire et consultez immédiatement un médecin. Il y a risque de perte de la vue.
5. Ne court-circuitez pas la batterie :
 - (1) Ne touchez les bornes avec aucun matériau conducteur.
 - (2) Évitez de ranger la batterie dans un conteneur avec d'autres objets métalliques, par exemple des clous, des pièces de monnaie, etc.
 - (3) N'exposez pas la batterie à l'eau ou à la pluie. Un court-circuit de la batterie pourrait provoquer un fort courant, une surchauffe, parfois des brûlures et même une panne.
6. Ne rangez pas l'outil ou la batterie dans des endroits où la température risque d'atteindre ou de dépasser 50°C.
7. Ne jetez pas la batterie au feu même si elle est sérieusement endommagée ou complètement épuisée. La batterie peut exploser au contact du feu.
8. Prenez garde d'échapper ou de heurter la batterie.
9. N'utilisez pas une batterie abîmée.
10. La batterie doit être éliminée conformément aux réglementations locales en vigueur.

CONSERVEZ CES INSTRUCTIONS.

Conseils pour assurer la durée de vie optimale de la batterie

1. Rechargez la batterie avant qu'elle ne soit complètement déchargée. Arrêtez toujours l'outil et rechargez la batterie quand vous remarquez que la puissance de l'outil diminue.
2. Ne rechargez jamais une batterie complètement chargée. La surcharge réduit la durée de service de la batterie.
3. Chargez la batterie alors que la température de la pièce se trouve entre 10°C et 40°C. Avant de charger une batterie chaude, laissez-la refroidir.
4. Chargez la batterie si vous prévoyez de ne pas l'utiliser pendant une période prolongée (plus de six mois).

DESCRIPTION DU FONCTIONNEMENT

⚠ AVERTISSEMENT :

- Assurez-vous toujours que l'outil est hors tension et que sa batterie est retirée avant de l'ajuster ou de vérifier son fonctionnement. Si vous ne coupez pas le contact et ne retirez pas la batterie, vous risquez de vous blesser grièvement en cas de démarrage accidentel.

Pose ou retrait de la batterie (Fig. 1)

⚠ ATTENTION :

- Mettez toujours l'outil hors tension avant de poser ou de retirer la batterie.

- Lorsque vous posez ou retirez la batterie, tenez fermement l'outil et la batterie. Si vous ne tenez pas fermement l'outil et la batterie, ils risquent de s'abîmer en vous glissant des mains, et vous courez un risque de blessure corporelle.

Pour retirer la batterie, faites-la glisser hors de l'outil tout en faisant glisser le bouton qui se trouve à l'avant de la batterie.

Pour poser la batterie, alignez sa languette sur la rainure à l'intérieur du carter, et faites-la glisser en place. Insérez-la à fond, jusqu'à ce qu'elle se mette en place avec un léger dé clic. Si vous pouvez voir l'indicateur rouge du côté supérieur du bouton, la batterie n'est pas complètement verrouillée.

⚠ ATTENTION :

- Insérez toujours la batterie à fond, jusqu'à ce que l'indicateur rouge ne soit plus visible. Sinon, elle pourrait tomber accidentellement de l'outil, au risque de vous blesser ou de blesser quelqu'un se trouvant près de vous.
- Ne forcez pas pour insérer la batterie. Si elle ne glisse pas facilement, c'est que vous ne l'insérez pas correctement.

Dispositif de protection de la batterie (batterie au lithium-ion avec marque étoilée) (Fig. 2)

Les batteries au lithium-ion qui portent une marque étoilée sont dotées d'un dispositif de protection. Ce dispositif coupe automatiquement l'alimentation de l'outil pour prolonger la durée de service de la batterie.

Si l'outil ou la batterie se trouve dans l'une ou l'autre des situations suivantes, l'outil cessera automatiquement de fonctionner :

- Surchargé :
L'outil est utilisé de manière telle qu'il consomme un courant anormalement élevé.
Le cas échéant, faites glisser l'interrupteur à glissière de l'outil sur la position « O (OFF) » et cessez l'application qui cause la surcharge. Pour redémarrer, refaites glisser l'interrupteur à glissière sur la position « I (ON) ».
Si l'outil ne démarre pas, cela signifie que la batterie est trop chaude. Le cas échéant, laissez refroidir la batterie avant de refaire glisser l'interrupteur à glissière sur la position « I (ON) ».
- Faible tension de la batterie :
La charge restante de la batterie étant trop faible, l'outil ne fonctionne pas. Le cas échéant, retirez la batterie et rechargez-la.

Protection contre la surchauffe

En cas de surcharge de l'outil, lorsque sa température atteint un certain niveau, l'outil s'arrête automatiquement. Il faut alors laisser refroidir l'outil avant de le remettre sous tension.

Affichage de la charge restante de la batterie (Fig. 3)

(Uniquement pour les batteries dont le numéro de modèle finit par « B ».)

Appuyez sur le bouton de vérification situé sur la batterie pour afficher la charge restante de la batterie. Les voyants lumineux s'allument pendant quelques secondes.

Voyants lumineux			Capacité restante
allumé	éteint	clignotant	
■ ■ ■ ■			75 % à 100 %
■ ■ ■ □			50 % à 75 %
■ ■ □ □			25 % à 50 %
■ □ □ □			0 % à 25 %
▬ □ □ □			Charge la batterie.
■ ■ □ □ □ □ ■ ■			La batterie est probablement défectueuse.

015658

NOTE :

- En fonction des conditions d'utilisation et de la température ambiante, la charge restante affichée peut différer légèrement de la valeur réelle.

Interrupteur (Fig. 4)

⚠ ATTENTION :

- Avant d'insérer la batterie dans l'outil, assurez-vous toujours que l'outil est hors tension.

Pour démarrer l'outil, faites glisser l'interrupteur à glissière sur la position « I (ON) ».

Pour arrêter l'outil, faites glisser l'interrupteur à glissière sur la position « O (OFF) ».

Réglage du taux de frappe orbitale (Fig. 5)

Le taux de frappe orbitale est réglable. Pour modifier le taux de frappe orbitale, tournez le cadran sur une valeur de 1 à 6. Plus le numéro est élevé, plus le taux de frappe orbitale sera élevé. Réglez à l'avance le cadran sur le numéro qui convient à la pièce à travailler.

NOTE :

- Il n'est pas possible de tourner le cadran d'un seul coup de 1 à 6 ou de 6 à 1. Forcer le cadran peut abîmer l'outil. Lorsque vous tournez le cadran en sens opposé, faites-le toujours en arrêtant sur chaque numéro intermédiaire.

Témoin indicateur (Fig. 6)

- Lorsque la charge restante de la batterie devient basse, le témoin indicateur clignote.
- Lorsque la charge restante de la batterie est très basse, l'outil cesse de fonctionner en cours d'utilisation et le témoin indicateur s'allume pendant 10 secondes environ.

Le cas échéant, retirez la batterie de l'outil et chargez-la.

ASSEMBLAGE

⚠ ATTENTION :

- Assurez-vous toujours que l'outil est hors tension et que sa batterie est retirée avant d'effectuer tout travail dessus.

Pose ou retrait de l'accessoire d'application (accessoire en option) (Fig. 7, 8, 9 et 10)

⚠ AVERTISSEMENT :

- Ne posez pas l'accessoire d'application à l'envers. En posant l'accessoire d'application à l'envers, vous risquez d'abîmer l'outil et de vous blesser grièvement.
- Posez le dispositif de fixation dans le sens qui convient au travail à effectuer. La position de pose de l'accessoire d'application est modifiable par pas de 30 degrés.

⚠ ATTENTION :

- Faites attention lorsque vous abaissez le levier de verrouillage. Le levier de verrouillage peut se rabattre soudainement et vous pincer le doigt.
- Enlevez la poussière de la partie mobile du levier de verrouillage et lubrifiez-la de temps en temps. Sinon, la poussière risque de s'accumuler au niveau de la partie mobile du levier de verrouillage, ce qui risque d'entraîner des à-coups lorsque vous actionnez le levier.
- Ne démarrez pas l'outil avec le levier de verrouillage en position ouverte. Vous risqueriez d'abîmer l'outil.

- Relevez complètement le levier de verrouillage. Enlevez le boulon de fixation.
- Placez un accessoire d'application (accessoire en option) sur le flasque de l'outil de sorte que les parties saillantes du flasque s'insèrent dans les orifices de l'accessoire.
- Remettez le boulon de fixation en place et serrez-le à fond. Remplacez ensuite le levier de verrouillage dans sa position originale.

Quand vous utilisez l'accessoire d'application de ponçage, montez-le sur le patin de ponçage en tenant compte du sens du ponçage.

Le patin de ponçage étant doté d'un dispositif à crochet et boucle, cela permet de poser le papier abrasif facilement et rapidement.

Le papier abrasif est doté d'orifices pour l'extraction des poussières ; posez-le de sorte que ces orifices s'alignent sur ceux du patin de ponçage.

Pour retirer le papier abrasif, soulevez-le par une extrémité et tirez pour le détacher.

Pour enlever le boulon de fixation, suivez les étapes de la procédure d'installation dans l'ordre inverse.

Avec les accessoires d'application dont la section de pose est d'un type différent, utilisez un adaptateur adéquat (accessoire en option).

UTILISATION

⚠ AVERTISSEMENT :

- Avant le démarrage et pendant l'utilisation de l'outil, gardez les mains et le visage à l'écart de l'accessoire d'application.

⚠ ATTENTION :

- N'appliquez pas une charge excessive sur l'outil, car le moteur risque de se verrouiller et d'arrêter l'outil.

Coupe, sciage et raclage (Fig. 11)

⚠ ATTENTION :

- Ne forcez pas l'outil à se déplacer dans le sens (p. ex. vers la gauche ou la droite) où l'accessoire utilisé n'a pas de tranchant. Vous risqueriez d'abîmer l'outil.

Mettez l'accessoire d'application sur la pièce à travailler. Déplacez ensuite l'outil vers l'avant à une vitesse telle que l'accessoire d'application ne ralentisse pas.

NOTE :

- Le travail risque d'être moins efficace si vous forcez l'outil ou lui appliquez une pression excessive.
- Avant d'effectuer la coupe, il est recommandé de régler le taux de frappe orbitale sur une valeur de 4 à 6.
- Enlevez la sciure en retirant l'outil de manière appropriée. Ceci permet d'améliorer l'efficacité de travail.
- L'utilisation de la scie circulaire est recommandée pour les coupes rectilignes de grande longueur.

Ponçage (Fig. 12)

⚠ ATTENTION :

- Ne réutilisez pas, sur le bois, un papier abrasif préalablement utilisé pour poncer le métal.
- N'utilisez pas un papier abrasif usé ou sans grain.

Appliquez un papier abrasif sur la pièce à travailler.

NOTE :

- Il est préférable de vérifier le taux de frappe orbitale adéquat sur un échantillon du matériau avant de commencer le travail sur la pièce elle-même.
- Utilisez un papier abrasif du même grain pendant toute la durée du ponçage de la pièce. Vous risquez de ne pas obtenir une belle finition si, en cours de travail, vous remplacez le papier abrasif par un autre de grain différent.

Fixation d'extracteur de poussières (accessoire en option) (Fig. 13 et 14)

- Posez le raccord à poussières et la fixation de raccord à poussières.
- Posez le collier de raccord sur l'outil de sorte que ses parties saillantes pénètrent dans les orifices de l'outil.
- Mettez l'anneau de feutre et le patin de ponçage sur la fixation de raccord à poussières, puis fixez-les à l'aide du boulon de fixation pour accessoire d'application.

Pour un travail plus propre, raccordez un aspirateur à votre outil. Raccordez le tuyau d'un aspirateur à la fixation d'extracteur de poussières (accessoire en option).

ENTRETIEN

⚠ ATTENTION :

- Avant d'effectuer tout travail d'inspection ou de maintenance non mentionné dans la section de dépannage suivante concernant la lampe, assurez-vous toujours que l'outil est hors tension et que la batterie est retirée.
- N'utilisez jamais d'essence, benzine, diluant, alcool ou autre produit similaire. Cela risquerait de provoquer la décoloration, la déformation ou la fissuration de l'outil.

Pour maintenir la SÉCURITÉ et la FIABILITÉ du produit, les réparations, l'inspection et le remplacement des charbons, et tout autre travail d'entretien ou de réglage doivent être effectués dans un centre de service Makita agréé, exclusivement avec des pièces de rechange Makita.

ACCESSOIRES EN OPTION

⚠ ATTENTION :

- Ces accessoires ou pièces complémentaires sont recommandés pour l'utilisation avec l'outil Makita spécifié dans ce mode d'emploi. L'utilisation de tout autre accessoire ou pièce complémentaire peut comporter un risque de blessure. N'utilisez les accessoires ou pièces qu'aux fins auxquelles ils ont été conçus.

Si vous désirez obtenir plus de détails concernant ces accessoires, veuillez contacter le centre de service après-vente Makita le plus près.

- Lame de scie segmentaire
- Lame de scie circulaire
- Lame de scie pour coupe en plongée
- Racleur (rigide)
- Racleur (flexible)
- Lame partiellement dentée
- Coupe-joint ordinaire
- Détachant HM
- Lame de scie segmentaire HM
- Plateau ponceur HM
- Lame de scie segmentaire diamantée
- Patin de ponçage
- Adaptateur
- Papier abrasif Delta (rouge / blanc / noir)
- Molleton Delta (grain moyen / grain grossier / sans grain)
- Feutre de polissage Delta
- Clé hexagonale
- Fixation d'extracteur de poussières
- Batterie et chargeur Makita authentiques

NOTE :

- Il se peut que certains éléments de la liste soient compris dans l'emballage de l'outil en tant qu'accessoires standard. Ils peuvent varier d'un pays à l'autre.

ENG905-1

Bruit

Niveau de bruit pondéré A typique, déterminé selon EN60745 :

Mode de travail : ponçage

Modèle DTM41

Niveau de pression sonore (L_{pA}) : 76 dB (A)

Incertitude (K) : 3 dB (A)

Le niveau de bruit en fonctionnement peut dépasser 80 dB (A).

Modèle DTM51

Niveau de pression sonore (L_{pA}) : 77 dB (A)

Incertitude (K) : 3 dB (A)

Le niveau de bruit en fonctionnement peut dépasser 80 dB (A).

Mode de travail : coupe avec une lame de scie pour coupe en plongée

Modèle DTM41

Niveau de pression sonore (L_{pA}) : 80 dB (A)

Niveau de puissance sonore (L_{WA}) : 91 dB (A)

Incertitude (K) : 3 dB (A)

Modèle DTM51

Niveau de pression sonore (L_{pA}) : 81 dB (A)

Niveau de puissance sonore (L_{WA}) : 92 dB (A)

Incertitude (K) : 3 dB (A)

Mode de travail : coupe avec une lame de scie segmentaire

Modèle DTM41

Niveau de pression sonore (L_{pA}) : 77 dB (A)

Incertitude (K) : 3 dB(A)

Le niveau de bruit en fonctionnement peut dépasser 80 dB (A).

Modèle DTM51

Niveau de pression sonore (L_{pA}) : 76 dB (A)

Incertitude (K) : 3 dB (A)

Le niveau de bruit en fonctionnement peut dépasser 80 dB (A).

Mode de travail : raclage

Modèle DTM41

Niveau de pression sonore (L_{pA}) : 78 dB (A)

Incertitude (K) : 3 dB (A)

Le niveau de bruit en fonctionnement peut dépasser 80 dB (A).

Modèle DTM51

Niveau de pression sonore (L_{pA}) : 80 dB (A)

Niveau de puissance sonore (L_{WA}) : 91 dB (A)

Incertitude (K) : 3 dB (A)

Porter des protecteurs anti-bruit

ENG900-1

Vibrations

Valeur totale de vibrations (somme de vecteur triaxial) déterminée selon EN60745 :

Modèle DTM41

Mode de travail : ponçage

Émission de vibrations (a_{h1}) : 3,0 m/s²

Incertitude (K) : 1,5 m/s²

Modèle DTM51

Mode de travail : ponçage

Émission de vibrations (a_{h1}) : 3,0 m/s²

Incertitude (K) : 1,5 m/s²

Modèle DTM41

Mode de travail : coupe avec une lame de scie pour coupe en plongée

Émission de vibrations (a_{h1}) : 7,0 m/s²

Incertitude (K) : 1,5 m/s²

Modèle DTM51

Mode de travail : coupe avec une lame de scie pour coupe en plongée

Émission de vibrations (a_{h1}) : 7,0 m/s²

Incertitude (K) : 1,5 m/s²

Modèle DTM41

Mode de travail : coupe avec une lame de scie segmentaire

Émission de vibrations (a_{h1}) : 4,5 m/s²

Incertitude (K) : 1,5 m/s²

Modèle DTM51

Mode de travail : coupe avec une lame de scie segmentaire

Émission de vibrations (a_{h1}) : 4,5 m/s²

Incertitude (K) : 1,5 m/s²

Modèle DTM41

Mode de travail : raclage

Émission de vibrations (a_{h1}) : 5,0 m/s²

Incertitude (K) : 1,5 m/s²

Modèle DTM51

Mode de travail : raclage

Émission de vibrations (a_{h1}) : 5,5 m/s²

Incertitude (K) : 1,5 m/s²

ENG901-1

- La valeur d'émission de vibrations déclarée a été mesurée conformément à la méthode de test standard et peut être utilisée pour comparer les outils entre eux.
- La valeur d'émission de vibrations déclarée peut aussi être utilisée pour l'évaluation préliminaire de l'exposition.

⚠ AVERTISSEMENT :

- L'émission de vibrations lors de l'usage réel de l'outil électrique peut être différente de la valeur d'émission déclarée, suivant la façon dont l'outil est utilisé.
- Les mesures de sécurité à prendre pour protéger l'utilisateur doivent être basées sur une estimation de l'exposition dans des conditions réelles d'utilisation (en tenant compte de toutes les composantes du cycle d'utilisation, comme par exemple le moment de sa mise hors tension, lorsqu'il tourne à vide et le moment de son déclenchement).

ENH101-18

Pour les pays d'Europe uniquement

Déclaration de conformité CE

Makita déclare que la (les) machine(s) suivante(s) :

Désignation de la machine :

Outil Multi-Fonctions Sans Fil

N° de modèle / Type : DTM41, DTM51

son(t) conformes aux directives européennes suivantes :

2006/42/CE

et sont fabriquées conformément aux normes ou aux documents normalisés suivants :

EN60745

La documentation technique conforme à la norme 2006/42/CE est disponible auprès de :

Makita, Jan-Baptist Vinkstraat 2, 3070, Belgique

18.7.2013



Yasushi Fukaya

Directeur

Makita, Jan-Baptist Vinkstraat 2, 3070, Belgique

Übersicht

- | | | |
|-------------------|-----------------------|-----------------------|
| 1 Knopf | 9 Anzeigelampe | 15 Absaugstutzenband |
| 2 Rote Anzeige | 10 Halterschraube | 16 Absaugstutzen |
| 3 Akku | 11 Verriegelungshebel | 17 Staubabsaugaufsatz |
| 4 Sternsymbol | 12 Löcher im | 18 Filzring |
| 5 Anzeigelampen | Anwendungswerkzeug | 19 Kissen |
| 6 Prüfstaste | 13 Vorsprünge des | 20 Löcher im Werkzeug |
| 7 Schiebeschalter | Werkzeugflansches | 21 Vorsprünge am |
| 8 Einstellrad | 14 Adapter | Absaugstutzenband |

TECHNISCHE DATEN

Modell		DTM41		DTM51	
Schwingungen pro Minute		6 000 – 20 000 (min ⁻¹)			
Pendelwinkel, links/rechts		1,6° (3,2° gesamt)			
Standard-Akku		BL1430/ BL1440/ BL1450	BL1415*/ BL1415N*	BL1830/ BL1840/ BL1840B/ BL1850/ BL1850B	BL1815*/ BL1815N*/ BL1820*/ BL1820B*
Gesamtlänge		340 mm	326 mm	340 mm	326 mm
Nettogewicht	ohne Staubabsaugaufsatz	2,1 kg	2,0 kg	2,2 kg	2,0 kg
	mit Staubabsaugaufsatz	2,2 kg	2,1 kg	2,3 kg	2,1 kg
Nennspannung		D.C. 14,4 V		D.C. 18 V	

- * HINWEIS: Für Dauerbetrieb werden die Hochleistungsakkus BL1430, BL1440, BL1450, BL1830, BL1840, BL1840B, BL1850 und BL1850B empfohlen.
- Wir behalten uns vor, Änderungen im Zuge der Entwicklung und des technischen Fortschritts ohne vorherige Ankündigung vorzunehmen.
 - Die technischen Daten und der Akku können von Land zu Land unterschiedlich sein.
 - Gewicht mit Akku nach EPTA-Verfahren 01/2003

GEB094-2

SICHERHEITSWARNUNGEN FÜR AKKU-MULTIFUNKTIONS-WERKZEUG

- Dieses Elektrowerkzeug ist zum Sägen, Schneiden, Schleifen und Schmirgeln vorgesehen. Lesen Sie alle mit diesem Elektrowerkzeug gelieferten Sicherheitswarnungen, Anweisungen, Abbildungen und technischen Daten durch.** Eine Missachtung der unten aufgeführten Anweisungen kann zu einem elektrischen Schlag, Brand und/oder schweren Verletzungen führen.
- Halten Sie das Elektrowerkzeug an den isolierten Griffflächen, wenn Sie Arbeiten ausführen, bei denen die Gefahr besteht, dass das Schneidwerkzeug verborgene Kabel kontaktiert.** Bei Kontakt mit einem Strom führenden Kabel können die freiliegenden Metallteile des Elektrowerkzeugs ebenfalls Strom führend werden, so dass der Benutzer einen elektrischen Schlag erleiden kann.
- Verwenden Sie Klammern oder eine andere praktische Methode, um das Werkstück auf einer stabilen Unterlage zu sichern und abzustützen.** Wenn Sie das Werkstück nur von Hand oder gegen Ihren Körper halten, befindet es sich in einer instabilen Lage, die zum Verlust der Kontrolle führen kann.
- Tragen Sie stets eine Sicherheits- oder Schutzbrille. Eine gewöhnliche Brille oder Sonnenbrille ist KEIN Ersatz für eine Schutzbrille.**
- Vermeiden Sie das Schneiden von Nägeln. Untersuchen Sie das Werkstück auf etwaige Nägel, und entfernen Sie diese vor der Arbeit.**
- Halten Sie die Maschine mit festem Griff.**

ENE080-1

Vorgesehene Verwendung

Das Werkzeug ist zum Sägen und Schneiden von Holz, Kunststoff, Gips, Nicht-Eisen-Metallen und Befestigungselementen (z. B. ungehärtete Nägel und Heftklammern) vorgesehen. Es eignet sich auch zur Bearbeitung von weichen Wandfliesen sowie zum Trockenschleifen und Abschaben von kleinen Oberflächen. Besonders gut eignet es sich für Arbeiten in Kantennähe und bündiges Schneiden.

GEA010-1

Allgemeine Sicherheitswarnungen für Elektrowerkzeuge

⚠️ WARNUNG Lesen Sie alle Sicherheitswarnungen und Anweisungen durch. Eine Missachtung der unten aufgeführten Warnungen und Anweisungen kann zu einem elektrischen Schlag, Brand und/oder schweren Verletzungen führen.

Bewahren Sie alle Warnungen und Anweisungen für spätere Bezugnahme auf.

7. Vergewissern Sie sich vor dem Einschalten der Maschine, dass das Anwendungswerkzeug nicht das Werkstück berührt.
8. Halten Sie die Hände von beweglichen Teilen fern.
9. Lassen Sie die Maschine nicht unbeaufsichtigt laufen. Benutzen Sie die Maschine nur mit Handhaltung.
10. Schalten Sie die Maschine stets aus, und warten Sie, bis das Sägeblatt zum vollständigen Stillstand kommt, bevor Sie das Sägeblatt aus dem Werkstück entfernen.
11. Vermeiden Sie eine Berührung des Anwendungswerkzeugs oder des Werkstücks unmittelbar nach der Bearbeitung, weil die Teile noch sehr heiß sind und Hautverbrennungen verursachen können.
12. Lassen Sie die Maschine nicht unnötig im Leerlauf laufen.
13. Verwenden Sie stets die korrekte Staubschutz- oder Atemmaske für das jeweilige Material und die Anwendung.
14. Manche Materialien können giftige Chemikalien enthalten. Treffen Sie Vorsichtsmaßnahmen, um das Einatmen von Arbeitsstaub und Hautkontakt zu verhindern. Befolgen Sie die Sicherheitsdaten des Materialherstellers.
15. Benetzen Sie die Werkstückoberfläche nicht mit Wasser, weil diese Maschine nicht wasserdicht ist.
16. Sorgen Sie für angemessene Belüftung des Arbeitsbereichs während der Durchführung von Schleifarbeiten.
17. Der Gebrauch dieser Maschine zum Schleifen bestimmter Produkte, Lacke und Holz kann den Benutzer Staub aussetzen, der gefährliche Substanzen enthält. Verwenden Sie einen geeigneten Atemschutz.
18. Vergewissern Sie sich vor dem Gebrauch, dass der Schleifkissen keine Risse oder Brüche aufweist. Risse oder Brüche können Verletzungen verursachen.
19. Verwenden Sie kein Zubehör, das nicht speziell vom Werkzeughersteller vorgesehen ist und empfohlen wird. Die bloße Tatsache, dass ein Zubehörteil an Ihrem Elektrowerkzeug angebracht werden kann, gewährleistet noch keinen sicheren Betrieb.
20. Tragen Sie Schutzausrüstung. Benutzen Sie je nach der Arbeit einen Gesichtsschutz bzw. eine Sicherheits- oder Schutzbrille. Tragen Sie bei Bedarf, Ohrschützer, Handschuhe und eine Arbeitsschürze, die in der Lage ist, kleine Schleifpartikel oder Werkstücksplitter abzuwehren. Der Augenschutz muss in der Lage sein, den bei verschiedenen Arbeiten anfallenden Flugstaub abzuwehren. Die Staubmaske oder Atemschutzmaske muss in der Lage sein, durch die Arbeit erzeugte Partikel herauszufiltern. Lang anhaltende Lärmbelastung kann zu Gehörschäden führen.
21. Halten Sie Umstehende in sicherem Abstand vom Arbeitsbereich. Jeder, der den Arbeitsbereich betritt, muss Schutzausrüstung tragen. Bruchstücke des Werkstücks oder eines beschädigten Zubehörteils können weggeschleudert werden und Verletzungen über den unmittelbaren Arbeitsbereich hinaus verursachen.
22. Legen Sie das Elektrowerkzeug erst ab, nachdem das Zubehörteil zum vollständigen Stillstand gekommen ist. Anderenfalls kann das rotierende Zubehörteil die Oberfläche erfassen und das Elektrowerkzeug aus Ihren Händen reißen.
23. Lassen Sie das Elektrowerkzeug nicht laufen, während Sie es an Ihrer Seite tragen. Das Zubehörteil könnte sonst bei versehentlichem Kontakt Ihre Kleidung erfassen und auf Ihren Körper zu gezogen werden.
24. Betreiben Sie das Elektrowerkzeug nicht in der Nähe von brennbaren Materialien. Funken könnten diese Materialien entzünden.
25. Verwenden Sie keine Zubehörteile, die Kühlf Flüssigkeiten erfordern. Die Verwendung von Wasser oder anderen Kühlf Flüssigkeiten kann zu einem Stromtod oder Stromschlag.
26. Vergewissern Sie sich vor der Ausführung von Arbeiten an der Maschine stets, dass die Maschine ausgeschaltet und vom Stromnetz getrennt bzw. der Akku abgenommen ist.
27. Achten Sie stets auf sicheren Stand. Vergewissern Sie sich bei Einsatz der Maschine an hochgelegenen Arbeitsplätzen, dass sich keine Personen darunter aufhalten.

BEWAHREN SIE DIESE HINWEISE SORGFÄLTIG AUF.

⚠ WARNUNG:

Lassen Sie sich NICHT durch Bequemlichkeit oder Vertrautheit mit dem Produkt (durch wiederholten Gebrauch erworben) von der strikten Einhaltung der Sicherheitsregeln für das vorliegende Produkt abhalten. MISSBRAUCH oder Missachtung der Sicherheitsvorschriften in dieser Anleitung können schwere Verletzungen verursachen.

ENC007-9

WICHTIGE SICHERHEITSVORSCHRIFTEN FÜR AKKU

1. Lesen Sie vor der Benutzung des Akkus alle Anweisungen und Warnhinweise, die an (1) Ladegerät, (2) Akku und (3) Akkuwerkzeug angebracht sind.
2. Unterlassen Sie ein Zerlegen des Akkus.
3. Falls die Betriebszeit beträchtlich kürzer geworden ist, stellen Sie den Betrieb sofort ein. Anderenfalls besteht die Gefahr von Überhitzung, möglichen Verbrennungen und sogar einer Explosion.
4. Falls Elektrolyt in Ihre Augen gelangt, waschen Sie sie mit sauberem Wasser aus, und begeben Sie sich unverzüglich in ärztliche Behandlung. Anderenfalls können Sie Ihre Sehkraft verlieren.
5. Der Akku darf nicht kurzgeschlossen werden:
 - (1) Die Kontakte dürfen nicht mit leitfähigem Material berührt werden.
 - (2) Lagern Sie den Akku nicht in einem Behälter zusammen mit anderen Metallgegenständen, wie z.B. Nägel, Münzen usw.
 - (3) Setzen Sie den Akku weder Wasser noch Regen aus.
 Ein Kurzschluss des Akkus verursacht starken Stromfluss, der Überhitzung, Verbrennungen und einen Defekt zur Folge haben kann.

6. Lagern Sie Maschine und Akku nicht an Orten, an denen die Temperatur 50°C erreichen oder überschreiten kann.
7. Versuchen Sie niemals, den Akku zu verbrennen, selbst wenn er stark beschädigt oder vollkommen verbraucht ist. Der Akku kann im Feuer explodieren.
8. Achten Sie darauf, dass der Akku nicht fallen gelassen oder Stößen ausgesetzt wird.
9. Benutzen Sie keine beschädigten Akkus.
10. Befolgen Sie die örtlichen Bestimmungen bezüglich der Entsorgung von Akkus.

BEWAHREN SIE DIESE HINWEISE SORGFÄLTIG AUF.

Hinweise zur Aufrechterhaltung der maximalen Akku-Nutzungsdauer

1. Laden Sie den Akku, bevor er vollkommen erschöpft ist. Schalten Sie die Maschine stets aus, und laden Sie den Akku, wenn Sie ein Nachlassen der Maschinenleistung feststellen.
2. Unterlassen Sie das erneute Laden eines voll aufgeladenen Akkus. Überladen führt zu einer Verkürzung der Nutzungsdauer des Akkus.
3. Laden Sie den Akku bei Raumtemperatur zwischen 10°C – 40°C. Lassen Sie einen heißen Akku abkühlen, bevor Sie ihn laden.
4. Der Akku muss geladen werden, wenn er lange Zeit (länger als sechs Monate) nicht benutzt wird.

FUNKTIONSBESCHREIBUNG

⚠️ WARNUNG:

- Vergewissern Sie sich vor der Durchführung von Einstellungen oder Funktionsprüfungen der Maschine stets, dass die Maschine ausgeschaltet und der Akku abgenommen ist. Wird das Ausschalten der Maschine und das Abnehmen des Akkus unterlassen, kann es zu schweren Verletzungen durch versehentliches Anlaufen kommen.

Anbringen und Abnehmen des Akkus (Abb. 1)

⚠️ VORSICHT:

- Schalten Sie stets die Maschine aus, bevor Sie den Akku anbringen oder abnehmen.
- Halten Sie Maschine und Akku beim Anbringen oder Abnehmen des Akkus sicher fest. Wenn Sie Maschine und Akku nicht sicher festhalten, können sie Ihnen aus der Hand rutschen, was zu einer Beschädigung der Maschine und des Akkus und zu Körperverletzungen führen kann.

Ziehen Sie den Akku zum Abnehmen von der Maschine ab, während Sie den Knopf an der Vorderseite des Akkus verschieben.

Richten Sie zum Anbringen des Akkus dessen Führungsfeder auf die Nut im Gehäuse aus, und schieben Sie den Akku hinein. Schieben Sie ihn vollständig ein, bis er mit einem hörbaren Klicken einrastet. Falls die rote Anzeige an der Oberseite des Knopfes sichtbar ist, ist der Akku-Adapter nicht vollständig verriegelt.

⚠️ VORSICHT:

- Schieben Sie den Akku stets bis zum Anschlag ein, bis die rote Anzeige nicht mehr sichtbar ist. Anderenfalls kann er aus der Maschine herausfallen und Sie oder umstehende Personen verletzen.
- Unterlassen Sie Gewaltanwendung beim Anbringen des Akkus. Falls der Akku nicht reibungslos hineingleitet, ist er nicht richtig ausgerichtet.

Akku-Schutzsystem (Lithium-Ionen-Akku mit Sternsymbol) (Abb. 2)

Lithium-Ionen-Akkus mit Sternsymbol sind mit einem Schutzsystem ausgestattet. Dieses System schaltet die Stromversorgung der Maschine automatisch ab, um die Akku-Lebensdauer zu verlängern.

Die Maschine schaltet sich während des Betriebs automatisch ab, wenn Maschine und/oder Akku einer der folgenden Bedingungen unterliegen:

• Überlastung:

Die Maschine wird auf eine Weise benutzt, die eine ungewöhnlich hohe Stromaufnahme bewirkt.

Schieben Sie in dieser Situation den Schiebeschalter der Maschine auf die Position „O (AUS)“, und brechen Sie die Arbeit ab, die eine Überlastung der Maschine verursacht hat. Schieben Sie dann den Schiebeschalter wieder auf die Position „I (EIN)“, um die Maschine neu zu starten.

Falls die Maschine nicht startet, ist der Akku überhitzt. Lassen Sie in dieser Situation den Akku abkühlen, bevor Sie den Schiebeschalter wieder auf die Position „I (EIN)“ schieben.

• Niedrige Akkuspannung:

Die Akku-Restkapazität ist zu niedrig, und die Maschine funktioniert nicht. Nehmen Sie in dieser Situation den Akku ab, und laden Sie ihn auf.









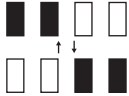

Überhitzungsschutz

Wenn das Werkzeug überlastet wird und seine Temperatur ein bestimmtes Niveau erreicht, bleibt es automatisch stehen. Lassen Sie das Werkzeug in dieser Situation abkühlen, bevor Sie es wieder einschalten.

Anzeigen der Akku-Restkapazität (Abb. 3)

(Nur für Akkus mit "B" am Ende der Modellnummer.)

Drücken Sie die Prüftaste am Akku, um die Akku-Restkapazität anzuzeigen. Die Anzeigelampen leuchten wenige Sekunden lang auf.

Anzeigelampen			Restkapazität
 Erleuchtet	 Aus	 Blinkend	
			75% bis 100%
			50% bis 75%
			25% bis 50%
			0% bis 25%
			Den Akku aufladen.
			Möglicherweise liegt eine Funktionsstörung im Akku vor.

015658

HINWEIS:

- Abhängig von den Benutzungsbedingungen und der Umgebungstemperatur kann die Anzeige geringfügig von der tatsächlichen Kapazität abweichen.

Schalterfunktion (Abb. 4)

⚠ VORSICHT:

- Vergewissern Sie sich vor dem Einsetzen des Akkus in die Maschine stets, dass die Maschine ausgeschaltet ist.

Zum Einschalten der Maschine den Schiebeschalter auf die Position „I (EIN)“ schieben.

Zum Ausschalten der Maschine den Schiebeschalter auf die Position „O (AUS)“ schieben.

Einstellen der Pendelhubzahl (Abb. 5)

Die Pendelhubzahl ist einstellbar. Um die Pendelhubzahl zu ändern, drehen Sie das Einstellrad zwischen 1 und 6. Je höher die Zahl ist, desto höher ist die Pendelhubzahl. Stellen Sie das Einstellrad vor der Arbeit auf die für Ihr Werkstück geeignete Zahl ein.

HINWEIS:

- Das Einstellrad kann nicht direkt von 1 auf 6 oder von 6 auf 1 gedreht werden. Gewaltames Weiterdrehen des Einstellrads kann zu einer Beschädigung der Maschine führen. Wenn Sie die Drehrichtung des Einstellrads ändern, drehen Sie es immer über alle Zwischenstellungen.

Anzeigelampe (Abb. 6)

- Wenn die Akku-Restkapazität niedrig wird, blinkt die Anzeigelampe.
- Wenn die Akku-Restkapazität erheblich niedriger wird, bleibt die Maschine während des Betriebs stehen, und die Anzeigelampe leuchtet etwa 10 Sekunden lang auf.

Nehmen Sie in diesem Fall den Akku von der Maschine ab, und laden Sie ihn auf.

MONTAGE

⚠ VORSICHT:

- Vergewissern Sie sich vor der Ausführung von Arbeiten an der Maschine stets, dass die Maschine ausgeschaltet und der Akku abgenommen ist.

Montieren und Demontieren des Anwendungswerkzeugs (Sonderzubehör) (Abb. 7, 8, 9 und 10)

⚠ WARNUNG:

- Montieren Sie das Anwendungswerkzeug nicht verkehrt herum. Wird ein Anwendungswerkzeug verkehrt herum montiert, kann dies zu einer Beschädigung der Maschine und zu schweren Verletzungen führen.
- Montieren Sie das Anwendungswerkzeug in der korrekten Richtung entsprechend der anstehenden Arbeit. Das Anwendungswerkzeug kann in Positionen montiert werden, die jeweils um 30 Grad versetzt sind.

⚠ VORSICHT:

- Gehen Sie beim Schließen des Verriegelungshebels vorsichtig vor. Der Verriegelungshebel kann plötzlich schließen und Ihren Finger einklemmen.
- Der bewegliche Teil des Verriegelungshebels muss regelmäßig von Staub gesäubert und geschmiert werden. Anderenfalls kann Staub sich am beweglichen Teil des Verriegelungshebels ansammeln und seine reibungslose Bewegung behindern.
- Starten Sie das Werkzeug nicht, während der Hebel sich öffnet. Das Werkzeug kann sonst beschädigt werden.

- Öffnen Sie den Verriegelungshebel vollständig. Und entfernen Sie die Halterschraube.
- Setzen Sie das Anwendungswerkzeug (Sonderzubehör) auf den Werkzeugflansch, so dass die Vorsprünge des Werkzeugflansches in die Löcher des Anwendungswerkzeugs passen.
- Führen Sie die Halterschraube bis zum Anschlag ein. Bringen Sie dann den Verriegelungshebel wieder in seine Ausgangsstellung.

Wenn Sie ein Anwendungswerkzeug für Schmirgeln verwenden, montieren Sie das Anwendungswerkzeug so am Schleifkissen, dass es mit der Richtung des Schleifkissens übereinstimmt.

Das Schleifkissen weist ein Klettverschluss-Passsystem auf, das bequemes und schnelles Anbringen von Schleifpapier gestattet.

Da Schleifpapier Löcher für die Staubabsaugung aufweist, montieren Sie das Schleifpapier so, dass sich seine Löcher mit denen im Schleifkissen decken.

Zum Entfernen des Schleifpapiers heben Sie seine Kante an, und das Papier ablösen.

Zum Entfernen der Halterschraube ist das Montageverfahren umgekehrt anzuwenden.

Wenn Sie Anwendungswerkzeuge mit einer anderen Art von Installationsteil benutzen, wählen Sie einen korrekten Adapter (Sonderzubehör) aus.

BETRIEB

⚠ WARNUNG:

- Halten Sie Hände und Gesicht vor dem Starten der Maschine und während des Betriebs vom Anwendungswerkzeug fern.

VORSICHT:

- Üben Sie keinen übermäßigen Druck auf die Maschine aus, weil dies zu Blockieren des Motors und Stehenbleiben der Maschine führen kann.

Schneiden, Sägen und Schaben (Abb. 11)

VORSICHT:

- Bewegen Sie die Maschine nicht gewaltsam in die Richtung der Anwendung (z. B. nach beiden Seiten) ohne Schneidkante. Dadurch kann die Maschine beschädigt werden.

Setzen Sie das Anwendungswerkzeug auf das Werkstück.

Schieben Sie dann die Maschine vorwärts, so dass sich die Bewegung des Anwendungswerkzeugs nicht verlangsamt.

HINWEIS:

- Gewalttames Vorschieben oder übermäßiger Druck auf die Maschine können die Arbeitsleistung verringern.
- Vor Beginn von Schneidarbeiten ist es empfehlenswert, die Pendelhubzahl auf 4 – 6 voreinzustellen.
- Entfernen Sie Sägemehl durch entsprechendes Ziehen des Werkzeugs. Dadurch wird die Arbeitsleistung verbessert.
- Die Rundsäge wird zum Schneiden von langen Geraden empfohlen.

Schmirkeln (Abb. 12)

VORSICHT:

- Verwenden Sie Schleifpapier, das zum Schleifen von Metall verwendet wurde, nicht zum Schleifen von Holz.
- Verwenden Sie kein abgenutztes Schleifpapier oder Schleifpapier ohne Körnung.

Bringen Sie das Schleifpapier mit dem Werkstück in Kontakt.

HINWEIS:

- Eine Schleifprobe an einem Testmaterial ist empfehlenswert, um die für Ihre Arbeit geeignete Pendelhubzahl zu ermitteln.
- Verwenden Sie Schleifpapier mit derselben Körnung, bis das Schmirkeln des ganzen Werkstücks beendet ist. Wird die Körnung des Schleifpapiers während der Arbeit geändert, erhält man u. U. keine feine Oberflächengüte.

Staubabsaugaufsatz (Sonderzubehör) (Abb. 13 und 14)

- Montieren Sie Absaugstutzen und Staubabsaugaufsatz.
- Montieren Sie das Absaugstutzenband so an der Maschine, dass seine Vorsprünge in den Löchern der Maschine sitzen, um es zu sichern.
- Bringen Sie den Filzring und das Schleifkissen am Staubabsaugaufsatz an, und sichern Sie dann die Teile mit der Anwendungswerkzeug-Montageschraube.

Um größere Sauberkeit bei der Arbeit zu erzielen, kann ein Staubsauger an die Maschine angeschlossen werden. Schließen Sie den Schlauch des Staubsaugers an den Staubabsaugaufsatz (Sonderzubehör) an.

WARTUNG

VORSICHT:

- Vergewissern Sie sich vor der Durchführung von Inspektions- oder Wartungsarbeiten stets, dass die Maschine ausgeschaltet und der Akku abgenommen ist, außer im Falle der folgenden, auf das Licht bezogenen, Fehlersuche.
- Verwenden Sie auf keinen Fall Benzin, Benzol, Verdünnern, Alkohol oder dergleichen. Solche Mittel können Verfärbung, Verformung oder Rissbildung verursachen.

Um die SICHERHEIT und ZUVERLÄSSIGKEIT dieses Produkts aufrechtzuerhalten, sollten Reparaturen, Überprüfung und Austausch der Kohlebürsten und andere Wartungs- oder Einstellarbeiten nur von Makita-Kundendienstzentren unter ausschließlicher Verwendung von Makita-Originalersatzteilen ausgeführt werden.

SONDERZUBEHÖR

VORSICHT:

- Die folgenden Zubehörteile oder Vorrichtungen werden für den Einsatz mit der in dieser Anleitung beschriebenen Makita-Maschine empfohlen. Die Verwendung anderer Zubehörteile oder Vorrichtungen kann eine Verletzungsgefahr darstellen. Verwenden Sie Zubehörteile oder Vorrichtungen nur für ihren vorgesehenen Zweck.

Wenn Sie weitere Einzelheiten bezüglich dieser Zubehörteile benötigen, wenden Sie sich bitte an Ihre Makita-Kundendienststelle.

- Segment-Sägeblatt
- Rund-Sägeblatt
- Tauchschnitt-Sägeblatt
- Schaber (starr)
- Schaber (flexibel)
- Kerbverzahntes Segment-Sägeblatt
- Allgemeiner Fugenschneider
- HM-Entferner
- HM-Segment-Sägeblatt
- HM-Schleifscheibe
- Diamantsegment-Sägeblatt
- Schleifkissen
- Adapter
- Schleifpapier Delta (rot / weiß / schwarz)
- Vlies Delta (mittel / grob / ohne Körnung)
- Polierfilz Delta
- Inbusschlüssel
- Staubabsaugaufsatz
- Original-Makita-Akku und -Ladegerät

HINWEIS:

- Manche Teile in der Liste können als Standardzubehör im Werkzeugsatz enthalten sein. Sie können von Land zu Land unterschiedlich sein.

Geräusch

Typischer A-bewerteter Geräuschpegel ermittelt gemäß EN60745:

Arbeitsmodus: Schleifen

Modell DTM41

Schalldruckpegel (L_{pA}): 76 dB (A)

Ungewissheit (K): 3 dB (A)

Der Lärmpegel kann während des Betriebs 80 dB (A) überschreiten.

Modell DTM51

Schalldruckpegel (L_{pA}): 77 dB (A)

Ungewissheit (K): 3 dB (A)

Der Lärmpegel kann während des Betriebs 80 dB (A) überschreiten.

Arbeitsmodus: Schneiden mit Tauchschnitt-Sägeblatt

Modell DTM41

Schalldruckpegel (L_{pA}): 80 dB (A)

Schallleistungspegel (L_{WA}): 91 dB (A)

Ungewissheit (K): 3 dB (A)

Modell DTM51

Schalldruckpegel (L_{pA}): 81 dB (A)

Schallleistungspegel (L_{WA}): 92 dB (A)

Ungewissheit (K): 3 dB (A)

Arbeitsmodus: Schneiden mit Segment-Sägeblatt

Modell DTM41

Schalldruckpegel (L_{pA}): 77 dB (A)

Ungewissheit (K): 3 dB (A)

Der Lärmpegel kann während des Betriebs 80 dB (A) überschreiten.

Modell DTM51

Schalldruckpegel (L_{pA}): 76 dB (A)

Ungewissheit (K): 3 dB (A)

Der Lärmpegel kann während des Betriebs 80 dB (A) überschreiten.

Arbeitsmodus: Schaben

Modell DTM41

Schalldruckpegel (L_{pA}): 78 dB (A)

Ungewissheit (K): 3 dB (A)

Der Lärmpegel kann während des Betriebs 80 dB (A) überschreiten.

Modell DTM51

Schalldruckpegel (L_{pA}): 80 dB (A)

Schallleistungspegel (L_{WA}): 91 dB (A)

Ungewissheit (K): 3 dB (A)

Gehörschutz tragen**Vibration**

Vibrationsgesamtwert (Drei-Achsen-Vektorsumme) ermittelt gemäß EN60745:

Modell DTM41

Arbeitsmodus: Schleifen

Vibrationsemission (a_{h1}): 3,0 m/s²

Ungewissheit (K): 1,5 m/s²

Modell DTM51

Arbeitsmodus: Schleifen

Vibrationsemission (a_{h1}): 3,0 m/s²

Ungewissheit (K): 1,5 m/s²

Modell DTM41

Arbeitsmodus: Schneiden mit Tauchschnitt-Sägeblatt

Vibrationsemission (a_{h1}): 7,0 m/s²

Ungewissheit (K): 1,5 m/s²

Modell DTM51

Arbeitsmodus: Schneiden mit Tauchschnitt-Sägeblatt

Vibrationsemission (a_{h1}): 7,0 m/s²

Ungewissheit (K): 1,5 m/s²

Modell DTM41

Arbeitsmodus: Schneiden mit Segment-Sägeblatt

Vibrationsemission (a_{h1}): 4,5 m/s²

Ungewissheit (K): 1,5 m/s²

Modell DTM51

Arbeitsmodus: Schneiden mit Segment-Sägeblatt

Vibrationsemission (a_{h1}): 4,5 m/s²

Ungewissheit (K): 1,5 m/s²

Modell DTM41

Arbeitsmodus: Schaben

Vibrationsemission (a_{h1}): 5,0 m/s²

Ungewissheit (K): 1,5 m/s²

Modell DTM51

Arbeitsmodus: Schaben

Vibrationsemission (a_{h1}): 5,5 m/s²

Ungewissheit (K): 1,5 m/s²

- Der angegebene Vibrationsemissionswert wurde im Einklang mit der Standardprüfmethode gemessen und kann für den Vergleich zwischen Maschinen herangezogen werden.
- Der angegebene Vibrationsemissionswert kann auch für eine Vorbewertung des Gefährdungsgrads verwendet werden.

⚠️ WARNUNG:

- Die Vibrationsemission während der tatsächlichen Benutzung des Elektrowerkzeugs kann je nach der Benutzungsweise der Maschine vom angegebenen Emissionswert abweichen.
- Identifizieren Sie Sicherheitsmaßnahmen zum Schutz des Benutzers anhand einer Schätzung des Gefährdungsgrads unter den tatsächlichen Benutzungsbedingungen (unter Berücksichtigung aller Phasen des Arbeitszyklus, wie z. B. Ausschalt- und Leerlaufzeiten der Maschine zusätzlich zur Betriebszeit).

Nur für europäische Länder

EG-Übereinstimmungserklärung

Makita erklärt, dass die folgende(n) Maschine(n):

Bezeichnung der Maschine:

Akku-Multifunktions-Werkzeug

Modell-Nr./ Typ: DTM41, DTM51

den folgenden europäischen Richtlinien entsprechen:

2006/42/EG

gemäß den folgenden Standards oder standardisierten Dokumenten hergestellt werden:

EN60745

Die technische Akte in Übereinstimmung mit 2006/42/EG ist erhältlich von:

Makita, Jan-Baptist Vinkstraat 2, 3070, Belgien

18.7.2013



Yasushi Fukaya
Direktor

Makita, Jan-Baptist Vinkstraat 2, 3070, Belgien

Visione generale

1 Bottone	8 Ghiera	15 Bandella bocchetta
2 Indicatore rosso	9 Spia di indicazione	16 Bocchetta polvere
3 Batteria	10 Bullone di fermo	17 Accessorio polvere
4 Marchio di stella	11 Leva di bloccaggio	18 Anello di feltro
5 Spie	12 Fori attrezzo applicativo	19 Piattorello
6 Bottone di controllo	13 Sporgenze flangia utensile	20 Fori utensile
7 Interruttore laterale	14 Adattatore	21 Sporgenze bandella bocchetta

DATI TECNICI

Modello		DTM41		DTM51	
Oscillazioni al minuto		6.000 – 20.000 (min ⁻¹)			
Angolo di oscillazione, sinistro/destro		1,6° (totale di 3,2°)			
Cartuccia della batteria standard		BL1430/ BL1440/ BL1450	BL1415*/ BL1415N*	BL1830/ BL1840/ BL1840B/ BL1850/ BL1850B	BL1815*/ BL1815N*/ BL1820*/ BL1820B*
Lunghezza totale		340 mm	326 mm	340 mm	326 mm
Peso netto	senza accessorio di estrazione polvere	2,1 kg	2,0 kg	2,2 kg	2,0 kg
	con accessorio di estrazione polvere	2,2 kg	2,1 kg	2,3 kg	2,1 kg
Tensione nominale		C.c. 14,4 V		C.c. 18 V	

* NOTA: Per il funzionamento continuativo si consiglia la cartuccia della batteria di alta capacità BL1430, BL1440, BL1450, BL1830, BL1840, BL1840B, BL1850 e BL1850B.

- Per il nostro programma di ricerca e sviluppo continui, i dati tecnici sono soggetti a modifiche senza preavviso.
- I dati tecnici e la cartuccia batteria potrebbero differire da paese a paese.
- Peso, con batteria, secondo la Procedura EPTA 01/2003

ENE080-1

Utilizzo previsto

Questo utensile è progettato per segare e tagliare il legno, plastica, gesso, metalli non ferrosi, e per fissare elementi (per es., chiodi e graffette non induriti). Esso è progettato anche per la lavorazione delle piastrelle morbide per pareti, come pure per la carteggiatura a secco e la scrostatura di piccole superfici. È progettato soprattutto per la lavorazione vicino ai bordi e il taglio a raso.

GEA010-1

Avvertimenti generali per la sicurezza dell'utensile elettrico

⚠ AVVERTIMENTO Leggere tutti gli avvertimenti per la sicurezza e le istruzioni. La mancata osservanza degli avvertimenti e delle istruzioni può causare scosse elettriche, incendio e/o gravi incidenti.

Conservare tutti gli avvertimenti e le istruzioni per riferimenti futuri.

GEB094-2

AVVERTIMENTI DI SICUREZZA PER L'UTENSILE MULTIFUNZIONE A BATTERIA

1. Questo utensile elettrico è progettato per la segatura, il taglio, la smerigliatura e la carteggiatura. Leggere tutti gli avvertimenti per la sicurezza, le istruzioni, le illustrazioni e i dati tecnici forniti con questo utensile elettrico. Se non si seguono le istruzioni elencate sotto, c'è pericolo di scosse elettriche, incendio e/o gravi incidenti.
2. Tenere l'utensile elettrico per le superfici isolate quando si esegue una operazione in cui l'accessorio di taglio potrebbe fare contatto con fili elettrici nascosti. L'accessorio di taglio che fa contatto con un filo elettrico "sotto tensione" potrebbe mettere "sotto tensione" le parti metalliche esposte dell'utensile elettrico e dare una scossa all'operatore.
3. Usare morsa o altri dispositivi pratici per fissare e supportare il pezzo su una piattaforma stabile. Se si tiene il pezzo a mano o contro il proprio corpo lo si rende instabile e potrebbe causare una perdita di controllo.
4. Usare sempre occhiali di sicurezza o di protezione. I comuni occhiali o gli occhiali da sole NON sono occhiali di sicurezza.
5. Evitare di tagliare i chiodi. Accertarsi che nel pezzo non ci siano chiodi, e rimuoverli prima di cominciare il lavoro.
6. Tenere saldamente l'utensile.
7. Accertarsi che l'attrezzo applicativo non faccia contatto con il pezzo prima di azionare l'interruttore.

8. Tenere sempre le mani lontane dalle parti in movimento.
9. Non lasciare l'utensile mentre sta funzionando. Far funzionare l'utensile soltanto tenendolo in mano.
10. Spegnerlo sempre l'utensile e aspettare che la lama si sia arrestata completamente prima di rimuoverla dal pezzo.
11. Non toccare l'attrezzo applicativo o il pezzo immediatamente dopo una operazione. Essi potrebbero essere estremamente caldi e causare bruciature sulla pelle.
12. Non far funzionare inutilmente l'utensile senza carico.
13. Usare sempre la mascherina/respiratore corretti per il materiale e l'applicativo con cui si lavora.
14. Alcuni materiali contengono sostanze chimiche che potrebbero essere tossiche. Fare attenzione per evitare di inspirare la polvere e il contatto con la pelle. Seguire i dati per la sicurezza del fornitore del materiale.
15. Questo utensile non è stato impermeabilizzato, per cui non si deve usare acqua sulla superficie del pezzo.
16. Ventilare adeguatamente l'area di lavoro quando si eseguono le operazioni di carteggiatura.
17. L'utilizzo di questo utensile per la carteggiatura di alcuni prodotti, vernici e legni potrebbero esporre l'operatore a polvere contenente sostanze pericolose. Usare una protezione appropriata per la respirazione.
18. Accertarsi che non ci siano crepe o rotture sul platorello prima dell'uso. Le crepe o rotture possono causare un incidente.
19. Non usare accessori che non sono specificatamente progettati e consigliati dal produttore dell'utensile. Il solo fatto che un accessorio possa essere attaccato all'utensile elettrico non ne assicura l'utilizzo sicuro.
20. Indossare una attrezzatura di protezione. A seconda dell'applicazione, usare una visiera, occhiali di sicurezza o occhiali di protezione. Indossare protezioni per le orecchie, guanti e un grembiule di lavoro in grado di arrestare piccoli frammenti abrasivi o del pezzo. La protezione per gli occhi deve essere in grado di arrestare i frammenti volanti generati dalle varie operazioni. La mascherina o respiratore antipolvere deve essere in grado di filtrare le particelle generate durante il lavoro. L'esposizione prolungata al rumore ad alta intensità potrebbe causare la perdita dell'udito.
21. Tenere gli astanti lontani a una distanza di sicurezza dall'area di lavoro. Chiunque entri nell'area di lavoro deve indossare una attrezzatura personale di sicurezza. I frammenti del pezzo o di un accessorio rotto potrebbero volare via e causare un incidente oltre l'area immediata del lavoro.
22. Non si deve mai posare l'utensile elettrico finché l'accessorio non si è arrestato completamente. L'accessorio che gira potrebbe far presa sulla superficie e tirare l'utensile elettrico fuori dal controllo dell'operatore.
23. L'operatore non deve far funzionare l'utensile elettrico mentre lo trasporta sul proprio fianco. Il contatto accidentale con l'accessorio potrebbe far presa sul vestiario ed essere attirato nel corpo.
24. Non far funzionare l'utensile elettrico vicino a materiali infiammabili. Le scintille potrebbero infiammare tali materiali.
25. Non usare accessori che richiedono refrigeranti liquidi. L'utilizzo di acqua o di altri refrigeranti liquidi potrebbe causare elettrocuzione o scosse elettriche.
26. Accertarsi sempre che l'utensile sia spento e staccato dalla presa di corrente, o che la batteria sia stata rimossa prima di eseguire un qualsiasi lavoro sull'utensile.
27. Accertarsi che i piedi siano appoggiati saldamente. Accertarsi che non ci siano persone sotto quando si usa l'utensile in luoghi alti.

CONSERVARE QUESTE ISTRUZIONI.



AVVERTIMENTO:

NON lasciare che la comodità o la familiarità d'utilizzo con il prodotto (acquisita con l'uso ripetuto) sostituisca la stretta osservanza delle norme di sicurezza. L'utilizzo SBAGLIATO o la mancata osservanza delle norme di sicurezza di questo manuale di istruzioni potrebbero causare lesioni serie.

ENC007-9

ISTRUZIONI IMPORTANTI DI SICUREZZA

PER LA CARTUCCIA DELLA BATTERIA

1. Prima di usare la cartuccia della batteria, leggere tutte le istruzioni e le avvertenze sul (1) carica-batteria, sulla (2) batteria e sul (3) prodotto che utilizza la batteria.
2. Non smontare la cartuccia della batteria.
3. Se il tempo di utilizzo è diventato molto corto, smettere immediatamente di usare l'utensile. Può risultare un rischio di surriscaldamento, possibili ustioni e addirittura un'esplosione.
4. Se l'elettrolita va negli occhi, risciacquarli con acqua pulita e rivolgersi immediatamente ad un medico. Può risultare la perdita della vista.
5. Non cortocircuitare la cartuccia della batteria:
 - (1) Non toccare i terminali con qualche metallo conduttivo.
 - (2) Evitare di conservare la cartuccia della batteria in un contenitore con altri oggetti metallici come i chiodi, le monete, ecc.
 - (3) Non esporre la cartuccia della batteria all'acqua o alla pioggia.
 Un cortocircuito della batteria può causare un grande flusso di corrente, il surriscaldamento, possibili ustioni e addirittura un guasto.
6. Non conservare l'utensile e la cartuccia della batteria in luoghi in cui la temperatura può raggiungere o superare i 50°C.
7. Non incenerire la cartuccia della batteria anche se è gravemente danneggiata o è completamente esaurita. La cartuccia della batteria può esplodere e provocare un incendio.
8. Fare attenzione a non lasciar cadere o a colpire la batteria.
9. Non usare una batteria danneggiata.
10. Seguire le norme locali relative al modo di disfarsi della batteria.

CONSERVARE QUESTE ISTRUZIONI.

Suggerimenti per mantenere la durata massima della batteria

1. **Caricare la cartuccia della batteria prima che si scarichi completamente.**
Smettere sempre di usare l'utensile e caricare la cartuccia della batteria quando si nota che la potenza dell'utensile è diminuita.
2. **Non ricaricare mai una cartuccia della batteria completamente carica. La sovraccarica riduce la durata della batteria.**
3. **Caricare la cartuccia della batteria con la temperatura ambiente da 10°C a 40°C. Lasciar raffreddare una cartuccia della batteria calda prima di caricarla.**
4. **Caricare la cartuccia batteria se non si intende usarla per un lungo periodo di tempo (più di sei mesi).**

DESCRIZIONE FUNZIONALE

⚠ AVVERTIMENTO:

• **Accertarsi sempre che l'utensile sia spento e che la batteria sia stata rimossa prima di regolare o di controllare il funzionamento dell'utensile.** Se l'utensile non viene spento e la batteria rimossa si potrebbe verificare un grave incidente dovuto al suo avviamento accidentale.

Installazione o rimozione della batteria (Fig. 1)

⚠ ATTENZIONE:

- Spegnere sempre l'utensile prima di installare o di rimuovere la batteria.
- **Tenere saldamente l'utensile e la batteria quando si installa o si rimuove la batteria.** Se non si tengono saldamente l'utensile e la batteria, potrebbero sfuggire di mano con conseguente danno dell'utensile e della batteria e un incidente.

Per rimuovere la batteria, toglierla dall'utensile spingendo allo stesso tempo il bottone sulla parte anteriore della batteria.

Per installare la batteria, allineare l'appendice della batteria sulla scanalatura dell'alloggiamento e spingerla in posizione. Inserirli completamente finché si blocca in posizione con uno piccolo scatto. Se si vede l'indicatore rosso sul lato superiore del bottone, vuol dire che la batteria non è bloccata completamente.

⚠ ATTENZIONE:

- Installare sempre completamente la batteria finché l'indicatore rosso non è più visibile. In caso contrario, potrebbe cadere accidentalmente fuori dall'utensile causando un incidente all'operatore o a chi gli è vicino.
- Non installare forzatamente la batteria. Se la batteria non scivola dentro facilmente, vuol dire che non viene inserita correttamente.

Sistema di protezione della batteria (batteria agli ioni di litio con marchio di stella) (Fig. 2)

Le batterie agli ioni di litio con marchio di stella sono dotate di un sistema di protezione. Questo sistema interrompe automaticamente la corrente all'utensile per estendere la vita di servizio della batteria.

L'utensile si arresta automaticamente mentre sta funzionando se esso e/o la batteria vengono a trovarsi in una delle condizioni seguenti:

- Sovraccarico:

L'utensile viene usato in un modo che causa un suo assorbimento anormalmente alto di corrente.

In tal caso, spingere l'interruttore scorrevole dell'utensile verso la posizione "O (OFF)" e smettere l'operazione che causa il sovraccarico dell'utensile. Spingere poi l'interruttore scorrevole verso la posizione "I (ON)" per riavviarlo.

Se l'utensile non si riavvia, vuol dire che è sovraccarica la batteria. In tal caso, lasciar raffreddare la batteria prima di spingere di nuovo l'interruttore scorrevole verso la posizione "I (ON)".

- Bassa tensione della batteria:

La capacità restante della batteria è troppo bassa e l'utensile non funziona. In tal caso, rimuovere e ricaricare la batteria.

Protezione dal surriscaldamento

L'utensile si arresta automaticamente quando si surriscalda e la sua temperatura raggiunge un certo livello. In tal caso, lasciar raffreddare l'utensile prima di riaccenderlo.

Indicazione della capacità restante della batteria (Fig. 3)

(Soltanto per le cartucce batteria con "B" alla fine del numero del modello.)

Premere il bottone di controllo sulla cartuccia batteria per visualizzare la capacità restante della batteria. Le spie si accendono per pochi secondi.

Spie			Capacità restante
■	□	◐	
Accesa	Spenta	Lampeggiante	
■ ■ ■ ■			dal 75% al 100%
■ ■ ■ □			dal 50% al 75%
■ ■ □ □			dal 25% al 50%
■ □ □ □			dal 0% al 25%
◐ □ □ □			Caricare la batteria.
■ ■ □ □	↑ ↓		Si potrebbe essere verificato un malfunzionamento della batteria.

015658

NOTA:

- A seconda delle condizioni d'utilizzo e della temperatura ambiente, l'indicazione potrebbe differire leggermente dalla capacità reale.

Funzionamento dell'interruttore (Fig. 4)

⚠ ATTENZIONE:

- Prima di installare la batteria nell'utensile, controllare sempre che sia spento.

Per avviare l'utensile, spingere l'interruttore laterale verso la posizione "I (ON)".

Per arrestare l'utensile, spingere l'interruttore laterale verso la posizione "O (OFF)".

Regolazione della velocità di corsa orbitale (Fig. 5)

La velocità di corsa orbitale è regolabile. Per cambiare la velocità di corsa orbitale, girare la ghiera tra 1 e 6. La velocità di corsa orbitale è tanto più alta quanto più alto è il numero. Predisporre la ghiera sul numero adatto al pezzo.

NOTA:

- La ghiera non può essere girata direttamente da 1 a 6 o da 6 a 1. Forzando la ghiera si potrebbe danneggiare l'utensile. Quando si cambia la direzione della ghiera, girare sempre la ghiera spostandola tra ciascun numero intermedio.

Spia di indicazione (Fig. 6)

- Quando la capacità restante della batteria diventa bassa, la spia di indicazione lampeggia.
- Se la capacità restante della batteria diventa molto bassa, l'utensile si arresta mentre sta funzionando e la spia di indicazione si accende per circa 10 secondi.

A questo punto, rimuovere la batteria dall'utensile e caricarla.

MONTAGGIO

⚠ ATTENZIONE:

- Accertarsi sempre che l'utensile sia spento e che la batteria sia stata rimossa prima di qualsiasi intervento sull'utensile.

Installazione o rimozione dell'attrezzo applicativo (accessorio opzionale) (Fig. 7, 8, 9 e 10)

⚠ AVVERTIMENTO:

- Non installare l'attrezzo applicativo capovolto. Installando l'attrezzo applicativo capovolto si potrebbe danneggiare l'utensile e potrebbe causare un grave incidente.
- Installare l'attrezzo applicativo nella direzione corretta secondo il lavoro. L'attrezzo applicativo può essere installato ad angoli di 30 gradi ciascuno.

⚠ ATTENZIONE:

- Fare attenzione quando si chiude la leva di bloccaggio. La leva di bloccaggio si potrebbe chiudere improvvisamente imprigionando un dito.
- Togliere regolarmente la polvere e lubrificare le parti mobili della leva di bloccaggio.
In caso contrario, la polvere potrebbe accumularsi nelle parti mobili della leva di bloccaggio e ostacolare il normale movimento.
- Non avviare l'utensile mentre la leva si apre. Si potrebbe danneggiare l'utensile.

1. Aprire completamente la leva di bloccaggio e rimuovere il bullone di fermo.
2. Mettere un attrezzo applicativo (accessorio opzionale) sulla flangia dell'utensile, in modo che le sporgenze della flangia entrino nei fori dell'attrezzo applicativo.

3. Inserire il bullone di fermo finché si arresta. Rimettere poi la leva di bloccaggio sulla sua posizione originale.

Per usare l'attrezzo applicativo di carteggiatura, montarlo sul platello di carteggiatura in modo corrispondente alla direzione del platello di carteggiatura.

Il platello di carteggiatura ha un sistema di montaggio del tipo ad aggancio e anello che permette il facile e rapido montaggio della carta vetrata.

Poiché le carte vetrata hanno fori per l'estrazione della polvere, montare la carta vetrata in modo che i suoi fori si trovino su quelli del platello di carteggiatura.

Per rimuovere una carta vetrata, sollevare la sua estremità e staccarla via.

Per rimuovere il bullone di fermo, seguire il procedimento inverso di installazione.

Se si usano accessori applicativi con una sezione di installazione di tipo diverso, usare un adattatore corretto (accessorio opzionale).

FUNZIONAMENTO

⚠ AVVERTIMENTO:

- Prima di avviare l'utensile e durante il lavoro, tenere le mani e il viso lontani dall'attrezzo applicativo.

⚠ ATTENZIONE:

- Non applicare un carico eccessivo sull'utensile, perché ciò potrebbe causare il blocco del motore e arrestare l'utensile.

Taglio, segatura e scrostatura (Fig. 11)

⚠ ATTENZIONE:

- Non spingere con forza l'utensile nella direzione di applicazione del medesimo (ad esempio lateralmente) senza bordo di taglio. Si potrebbe danneggiare l'utensile.

Mettere l'attrezzo applicativo sul pezzo.

Muovere poi in avanti l'utensile in modo che il movimento dell'attrezzo applicativo non rallenti.

NOTA:

- Una forzatura o una pressione eccessiva sull'utensile potrebbero ridurre l'efficienza.
- Prima di una operazione di taglio, si consiglia di predisporre la velocità di corsa orbitale a 4 - 6.
- Rimuovere la segatura tirando appropriatamente l'utensile. Ciò aumenta l'efficienza del lavoro.
- Per il taglio delle lunghe linee diritte si consiglia la sega rotonda.

Carteggiatura (Fig. 12)

⚠ ATTENZIONE:

- Per la carteggiatura del legno non si deve riusare una carta vetrata usata per la carteggiatura dei metalli.
- Non usare una carta vetrata usurata, o una carta vetrata senza graniglia.

Adoperare la carta vetrata sul pezzo.

NOTA:

- Si consiglia di usare un campione di materiale di prova per determinare la velocità di corsa orbitale corretta adatta al lavoro.
- Usare una carta vetrata con la stessa graniglia fino al completamento della carteggiatura del pezzo. Se si sostituisce la carta vetrata con un'altra avente una graniglia diversa si potrebbe non ottenere una buona rifinitura.

Accessorio di estrazione polvere (accessorio opzionale) (Fig. 13 e 14)

- Installare le bocchette polvere e l'accessorio polvere.
- Installare la bandella bocchetta sull'utensile, in modo che le sue sporgenze entrino nei fori dell'utensile per fissarla.
- Montare l'anello di feltro e il platorello di carteggiatura sull'accessorio polvere, e fissarli poi con il bullone di installazione degli attrezzi applicativi.

Se si desidera eseguire delle operazioni più pulite, collegare un aspiratore all'utensile. Collegare il tubo flessibile dell'aspiratore all'accessorio di estrazione polvere (accessorio opzionale).

MANUTENZIONE

⚠ ATTENZIONE:

- Accertarsi sempre che l'utensile sia spento e di aver rimosso la batteria prima di cercare di eseguire l'ispezione o la manutenzione, eccetto per la correzione dei problemi relativi alla lampadina.
- Mai usare benzina, benzene, solventi, alcol e altre sostanze simili. Potrebbero causare scolorimenti, deformazioni o crepe.

Per preservare la SICUREZZA e l'AFFIDABILITÀ del prodotto, le riparazioni, l'ispezione e la sostituzione della spazzola di carbone o qualsiasi altra manutenzione e regolazione devono essere eseguite da un centro assistenza Makita autorizzato usando sempre ricambi Makita.

ACCESSORI OPZIONALI

⚠ ATTENZIONE:

- Questi accessori o attrezzi sono consigliati per l'uso con l'utensile Makita specificato in questo manuale. L'impiego di altri accessori o attrezzi può costituire un rischio di lesioni alle persone. Usare gli accessori soltanto per il loro scopo prefissato.

Per ottenere maggiori dettagli su questi accessori o attrezzi, rivolgersi a un centro assistenza Makita autorizzato.

- Lama sega a segmenti
- Lama sega rotonda
- Lama sega di taglio con perforazione
- Raschietto (rigido)
- Raschietto (flessibile)
- Lama a segmenti a denti di sega
- Troncatrice generale giunti
- Sverniciatore HM
- Lama sega a segmenti HM
- Piastra di carteggiatura HM
- Lama sega a segmenti diamantata
- Platorello di carteggiatura
- Adattatore
- Triangolo carta abrasiva (rosso/bianco/nero)
- Triangolo vello (medio/ruvido/senza graniglia)
- Triangolo feltro di lucidatura
- Chiave esagonale
- Accessorio di estrazione polvere
- Batteria e caricatore genuini Makita

NOTA:

- Alcuni articoli nella lista potrebbero essere inclusi nell'imballo dell'utensile come accessori standard. Essi potrebbero differire da Paese a Paese.

Rumore

Il tipico livello di rumore pesato A determinato secondo EN60745:

Modalità operativa: Carteggiatura

Modello DTM41

Livello pressione sonora (L_{pA}): 76 dB (A)
Incertezza (K): 3 dB (A)

Il livello di rumore durante il lavoro potrebbe superare gli 80 dB (A).

Modello DTM51

Livello pressione sonora (L_{pA}): 77 dB (A)
Incertezza (K): 3 dB (A)

Il livello di rumore durante il lavoro potrebbe superare gli 80 dB (A).

Modalità operativa: taglio con la lama sega di perforazione

Modello DTM41

Livello pressione sonora (L_{pA}): 80 dB (A)
Livello di potenza sonora (L_{WA}): 91 dB (A)
Incertezza (K): 3 dB (A)

Modello DTM51

Livello pressione sonora (L_{pA}): 81 dB (A)
Livello di potenza sonora (L_{WA}): 92 dB (A)
Incertezza (K): 3 dB (A)

Modalità operativa: taglio con la lama sega a settori

Modello DTM41

Livello pressione sonora (L_{pA}): 77 dB (A)
Incertezza (K): 3 dB (A)

Il livello di rumore durante il lavoro potrebbe superare gli 80 dB (A).

Modello DTM51

Livello pressione sonora (L_{pA}): 76 dB (A)
Incertezza (K): 3 dB (A)

Il livello di rumore durante il lavoro potrebbe superare gli 80 dB (A).

Modalità operativa: disincrostazione

Modello DTM41

Livello pressione sonora (L_{pA}): 78 dB (A)
Incertezza (K): 3 dB (A)

Il livello di rumore durante il lavoro potrebbe superare gli 80 dB (A).

Modello DTM51

Livello pressione sonora (L_{pA}): 80 dB (A)
Livello di potenza sonora (L_{WA}): 91 dB (A)
Incertezza (K): 3 dB (A)

Indossare i paraorecchie

Vibrazione

Il valore totale di vibrazione (somma vettore triassiale) determinato secondo EN60745:

Modello DTM41

Modalità operativa: carteggiatura
Emissione di vibrazioni (a_{H1}): 3,0 m/s²
Incertezza (K): 1,5 m/s²

Modello DTM51

Modalità operativa: carteggiatura
Emissione di vibrazioni (a_{H1}): 3,0 m/s²
Incertezza (K): 1,5 m/s²

Modello DTM41

Modalità operativa: taglio con la lama sega di perforazione

Emissione di vibrazioni (a_{H1}): 7,0 m/s²

Incertezza (K): 1,5 m/s²

Modello DTM51

Modalità operativa: taglio con la lama sega di perforazione

Emissione di vibrazioni (a_{H1}): 7,0 m/s²

Incertezza (K): 1,5 m/s²

Modello DTM41

Modalità operativa: taglio con la lama sega a settori

Emissione di vibrazioni (a_{H1}): 4,5 m/s²

Incertezza (K): 1,5 m/s²

Modello DTM51

Modalità operativa: taglio con la lama sega a settori

Emissione di vibrazioni (a_{H1}): 4,5 m/s²

Incertezza (K): 1,5 m/s²

Modello DTM41

Modalità operativa: disinquinazione

Emissione di vibrazioni (a_{H1}): 5,0 m/s²

Incertezza (K): 1,5 m/s²

Modello DTM51

Modalità operativa: disinquinazione

Emissione di vibrazioni (a_{H1}): 5,5 m/s²

Incertezza (K): 1,5 m/s²

ENG901-1

- Il valore di emissione delle vibrazioni dichiarato è stato misurato conformemente al metodo di test standard, e può essere usato per paragonare un utensile con un altro.
- Il valore di emissione delle vibrazioni dichiarato può anche essere usato per una valutazione preliminare dell'esposizione.

⚠ AVVERTIMENTO:

- L'emissione delle vibrazioni durante l'uso reale dell'utensile elettrico può differire dal valore di emissione dichiarato a seconda dei modi in cui viene usato l'utensile.
- Accertarsi di identificare le misure di sicurezza per la protezione dell'operatore basate sulla stima dell'esposizione nelle condizioni reali d'utilizzo (tenendo presente tutte le parti del ciclo operativo, come le volte in cui l'utensile viene spento e quando gira a vuoto, oltre al tempo di funzionamento).

Modello per l'Europa soltanto**Dichiarazione CE di conformità****Makita dichiara che la macchina seguente:**

Designazione della macchina:

Utensile multifunzione a batteria

Modello No./ Tipo: DTM41, DTM51

Conforme alle Direttive Europee:

2006/42/CE

È stata fabbricata in conformità allo standard e ai documenti standardizzati seguenti:

EN60745

La documentazione tecnica conforme 2006/42/CE è disponibile da:

Makita, Jan-Baptist Vinkstraat 2, 3070, Belgio

18.7.2013



Yasushi Fukaya
Amministratore

Makita, Jan-Baptist Vinkstraat 2, 3070, Belgio

Verklaring van algemene gegevens

1 Knop	8 Instelknop	15 Mondstukklem
2 Rode indicator	9 Verklikkerlampje	16 Stofmondstuk
3 Accu	10 Montagebout	17 Stofzuigaansluitstuk
4 Stermarkering	11 Borghendel	18 Viltten ring
5 Spanningslampjes	12 Openingen in het werktuig	19 Schuurblok
6 Controletoets	13 Nokken van de werktuigflens	20 Openingen in gereedschap
7 Stroomschakelaar	14 Adapter	21 Nokken aan de mondstukklem

TECHNISCHE GEGEVENS

Model		DTM41		DTM51	
Oscillaties per minuut		6 000 – 20 000 (min ⁻¹)			
Uitslaghoek links/rechts		1,6° (totaal 3,2°)			
Standaard accu		BL1430/ BL1440/ BL1450	BL1415* BL1415N*	BL1830/ BL1840/ BL1840B/ BL1850/ BL1850B	BL1815* BL1815N* BL1820* BL1820B*
Totale lengte		340 mm	326 mm	340 mm	326 mm
Nettogewicht	zonder stofzuigaansluitstuk	2,1 kg	2,0 kg	2,2 kg	2,0 kg
	met stofzuigaansluitstuk	2,2 kg	2,1 kg	2,3 kg	2,1 kg
Nominale spanning		D.C. 14,4 V		D.C. 18 V	

* OPMERKING: Voor langdurig gebruik is een hoge-capaciteit accu, type BL1430, BL1440, BL1450, BL1830, BL1840, BL1840B, BL1850 of BL1850B aanbevolen.

- In verband met ononderbroken research en ontwikkeling behouden wij ons het recht voor bovenstaande technische gegevens te wijzigen zonder voorafgaande kennisgeving.
- De technische gegevens de accu kunnen van land tot land verschillen.
- Gewicht, inclusief accu, volgens de EPTA-procedure 01/2003

ENE080-1

Doeleinden van gebruik

Dit gereedschap is bestemd voor het zagen en snijden in hout, plastic, gipsplaten, lichte metalen en sommige montagmaterialen (zoals zachte spijkers en nieten). Het is tevens bestemd voor het werken met zachte wandtegels en het droog schuren en afkrabben van kleine oppervlakken. Het is bij uitstek geschikt voor werken langs randen en voor egaal bijsnijden.

GEA010-1

Algemene veiligheidsaanschuivingen voor elektrisch gereedschap

⚠ WAARSCHUWING! Lees alle veiligheidsaanschuivingen en alle instructies. Het niet volgen van de waarschuwingen en instructies kan leiden tot elektrische schokken, brand en/of ernstig letsel.

Bewaar alle waarschuwingen en instructies om in de toekomst te kunnen raadplegen.

GEB094-2

VEILIGHEIDSVORSCHRIFTEN VOOR DE SNOERLOZE ZAAG- EN SCHUURMACHINE

1. Dit elektrisch gereedschap is bestemd voor zagen, snijden, slijpen en polijsten. Lees alle veiligheidsvoorschriften, aanwijzingen, afbeeldingen en technische specificaties behorend bij dit gereedschap aandachtig door. Als u niet alle onderstaande aanwijzingen naleeft, kan dat resulteren in brand, elektrische schokken en/of ernstig letsel.
2. Houd elektrisch gereedschap alleen vast aan de geïsoleerde handgrepen wanneer de mas bestaast dat het werktuig in aanraking komt met verborgen bedrading. Als een draad die onder stroom staat wordt ingesneden, kunnen de metalen delen van het gereedschap ook onder stroom komen te staan en kunt u een gevaarlijke schok krijgen.
3. Gebruik klemmen of dergelijke voorzieningen om uw werkstuk aan een stabiele ondergrond vast te klemmen. Een werkstuk dat u in de hand houdt of tegen uw lichaam aan drukt, kan al te vrijelijk bewegen en onhoudbaar worden.
4. Draag altijd een veiligheidsbril, stofbril of -masker. Een gewone bril of zonnebril biedt NIET de nodige veiligheid.
5. Zorg dat u niet in spijkers snijdt. Controleer uw werkstuk vooraf op de aanwezigheid van spijkers en verwijder die.
6. Houd het gereedschap stevig vast.
7. Let vooral op dat het werktuig bij inschakelen nog niet in aanraking komt met uw werkstuk.
8. Kom met uw handen niet te dicht bij bewegende onderdelen.

9. Laat het gereedschap niet ingeschakeld achter. Schakel het gereedschap alleen in wanneer u het stevig vasthoudt.
10. Schakel eerst het gereedschap uit en wacht tot het werktuig volledig tot stilstand is gekomen, voordat u het gereedschap van het werkstuk haalt.
11. Raak het werktuig of het bewerkte deel van uw werkstuk niet onmiddellijk na het werk aan; deze delen kunnen bijzonder heet worden en u zou zich kunnen branden.
12. Laat het gereedschap niet onnodig lang draaien in onbelaste toestand.
13. Gebruik altijd het juiste stofmasker of ademhalingsapparaat voor het materiaal en de toepassing waar u aan werkt.
14. Bepaalde materialen kunnen giftige chemicaliën bevatten. Vermijd dan het contact met uw huid en zorg dat u geen stof inademt. Volg de veiligheidsvoorschriften van de fabrikant van het materiaal.
15. Dit gereedschap is niet waterdicht, dus zorg dat er geen water op de oppervlakken van uw werkstuk komt.
16. Zorg voor voldoende ventilatie bij het schuren van werkstukken.
17. Bij gebruik van dit gereedschap voor het schuren van bepaalde materialen, verf en houtsoorten kunt u worden blootgesteld aan stof dat uw gezondheid kan schaden. Gebruik een geschikt stofmasker of ademhalingsapparaat.
18. Controleer of er geen barsten of scheuren in het schuurblok zijn voordat u gaat werken. Barsten of breuken zouden kunnen leiden tot lichamelijke letsels.
19. Gebruik geen accessoires die niet specifiek ontworpen en goedgekeurd zijn door de fabrikant van dit gereedschap. Ook al past een accessoire wel op uw elektrisch gereedschap, dan nog staat dit niet altijd garant voor een veilige werking.
20. Draag beschermende kleding en dergelijke. Afhankelijk van de toepassing dient u ook een gezichtsmasker, veiligheidsbril of stofmasker te dragen. Draag naar vereist ook oorbeschermers, werkhandschoenen en een werkschort dat bescherming biedt tegen rondvliegende spaanders of scherp gruis. Een afdoende oogbescherming moet in staat zijn om tijdens het werk rondvliegende spaanders of scherp gruis tegen te houden. Het stofmasker of ademhalingsapparaat moet alle vrijkomende deeltjes uit de lucht die u inademt te filteren. Langdurige blootstelling aan hard lawaai kan uw gehoor aantasten.
21. Houd omstanders op veilige afstand tijdens het gebruik van elektrisch gereedschap. Iedereen die uw werkterrein betreedt, moet beschermende kleding dragen. Er zouden splinters van uw werkstuk of van een afgebroken accessoire kunnen rondvliegen, met kans op verwondingen, ook buiten uw onmiddellijke werkomgeving.
22. Leg het gereedschap altijd pas neer nadat het werktuig volledig tot stilstand is gekomen. Als het werktuig nog draait, kan het de ondergrond aangrijpen en het gereedschap uit uw handen trekken.
23. Loop niet met het gereedschap terwijl het nog draait. Als het werktuig tegen uw kleding aan zou komen, kan de draaibeweging het tegen uw lichaam aan trekken, met kans op letsels.
24. Gebruik het gereedschap niet in de buurt van licht ontvlambare materialen. Als er vonken overspringen, zou er brand kunnen ontstaan.
25. Gebruik geen accessoires waarvoor koeling met vloeistof vereist is. Het gebruik van water of een andere koelvloeistof kan leiden tot een elektrische schok, met gevaar voor elektrocutie.
26. Zorg altijd dat het gereedschap is uitgeschakeld en de accu is verwijderd alvorens enig werk aan het gereedschap uit te voeren.
27. Zorg ook altijd dat u stevig op een solide bodem staat. Let bij het werken op hoge plaatsen op dat er zich niemand recht onder u bevindt.

BEWAAR DEZE VOORSCHRIFTEN.

WAARSCHUWING:

Laat u NIET misleiden door een vals gevoel van comfort en bekendheid met het gereedschap (na veelvuldig gebruik) en neem alle veiligheidsvoorschriften van het betreffende gereedschap altijd strikt in acht. VERKEERD GEBRUIK of het niet naleven van de veiligheidsvoorschriften in deze gebruiksaanwijzing kan leiden tot ernstige verwondingen.

ENC007-9

BELANGRIJKE VEILIGHEIDSVORSCHRIFTEN

VOOR ACCU

1. Lees alle voorschriften en waarschuwingen op (1) de acculader, (2) de accu, en (3) het product waarvoor de accu wordt gebruikt, aandachtig door alvorens de acculader in gebruik te nemen.
2. Neem de accu niet uit elkaar.
3. Als de gebruikstijd van een opgeladen accu aanzienlijk korter is geworden, moet u het gebruik ervan onmiddellijk stopzetten. Voortgezet gebruik kan oververhitting, brandwonden en zelfs een ontploffing veroorzaken.
4. Als er elektrolyt in uw ogen is terechtgekomen, spoel dan uw ogen met schoon water en roep onmiddellijk de hulp van een dokter in. Elektrolyt in de ogen kan blindheid veroorzaken.
5. Voorkom kortsluiting van de accu:
 - (1) Raak de accuklemmen nooit aan met een geleidend materiaal.
 - (2) Bewaar de accu niet in een bak waarin andere metalen voorwerpen zoals spijkers, munten e.d. worden bewaard.
 - (3) Stel de accu niet bloot aan water of regen. Kortsluiting van de accu kan oorzaak zijn van een grote stroomafgifte, oververhitting, brandwonden, en zelfs defecten.
6. Bewaar het gereedschap en de accu niet op plaatsen waar de temperatuur kan oplopen tot 50°C of hoger.
7. Werp de accu nooit in het vuur, ook niet wanneer hij zwaar beschadigd of volledig versleten is. De accu kan namelijk ontploffen in het vuur.
8. Wees voorzichtig dat u de accu niet laat vallen en hem niet blootstelt aan schokken of stoten.

9. Gebruik nooit een beschadigde accu.
10. Volg bij het wegwerpen van de accu de plaatselijk geldende voorschriften.

BEWAAR DEZE VOORSCHRIFTEN.

Tips voor een maximale levensduur van de accu

1. Laad de accu op voordat hij volledig ontladen is. Stop het gebruik van het gereedschap en laad de accu op telkens wanneer u vaststelt dat het vermogen van het gereedschap is afgenomen.
2. Laad een volledig opgeladen accu nooit opnieuw op. Als u de accu te veel oplaadt, zal hij minder lang meegaan.
3. Laad de accu op bij een kamertemperatuur tussen 10°C en 40°C. Laat een warme accu afkoelen alvorens hem op te laden.
4. Laad de accu op als u die voorlopig niet meer gebruikt (langer dan zes maanden).

BESCHRIJVING VAN DE FUNCTIES

⚠ WAARSCHUWING:

- **Zorg altijd dat het gereedschap is uitgeschakeld en de accu ervan is verwijderd alvorens de functies op het gereedschap af te stellen of te controleren.** Vergeten het apparaat uit te schakelen en de accu te verwijderen kan leiden tot ernstige verwondingen, als het apparaat plotseling zou starten.

Aanbrengen en verwijderen van de accu (Fig. 1)

⚠ LET OP:

- Schakel altijd het gereedschap uit voordat u de accu aanbrengt of verwijdert.
- **Houd het gereedschap en de accu stevig vast wanneer u de accu aanbrengt of verwijdert.** Als u het gereedschap en de accu niet stevig vasthoudt, zou er iets uit uw handen kunnen glijpen, met gevaar voor schade aan het gereedschap of de accu en eventuele verwonding.

Om de accu te verwijderen, schuift u deze uit het gereedschap los terwijl u de knop voorop de accu ingedrukt houdt.

Voor het aanbrengen van de accu plaatst u de tong van de accu in de groef van de behuizing en schuift u de accu op zijn plaats. Schuif de accu er altijd volledig in totdat die op zijn plaats vast klikt. Wanneer de rode indicator op de bovenkant van de knop nog zichtbaar is, zit de accu niet volledig erin.

⚠ LET OP:

- Schuif de accu volledig erin totdat de rode indicator niet meer zichtbaar is. Als u dit nalaat, zou de accu uit het apparaat kunnen vallen en uzelf of anderen kunnen verwonden.
- Druk de accu er niet met kracht in. Als de accu er niet soepel in gaat, houdt u die waarschijnlijk in de verkeerde stand.

Accu beveiligingssysteem (lithium-ionenaccu met een stermarkering) (Fig. 2)

Lithium-ionenaccu's met een stermarkering zijn voorzien van een beveiligingssysteem. Dat kan automatisch de stroomtoevoer afsluiten om de levensduur van de accu te verlengen.

Het gereedschap kan tijdens gebruik automatisch stoppen wanneer het gereedschap en/of de accu aan één van de volgende omstandigheden wordt blootgesteld:

- **Overbelasting:**
Als het gereedschap wordt gebruikt op een manier die een abnormaal hoge stroomsterkte vergt.
In dat geval schuift u de stroomschakelaar van het gereedschap naar de "O (OFF)" stand en verhelpt u de oorzaak van de overbelasting. Vervolgens schuift u de stroomschakelaar terug in de "I (ON)" stand om opnieuw te starten.
Als het gereedschap niet start, kan de accu oververhit zijn. In dat geval laat u de accu even afkoelen voordat u de stroomschakelaar weer in de "I (ON)" stand zet.
- **Onvoldoende accuspanning:**
Als de resterende accuspanning onvoldoende is, zal het gereedschap niet starten. In dat geval verwijdert u de accu en laadt u die opnieuw op.

Oververhittingsbeveiliging

Wanneer het gereedschap overbelast raakt en een bepaalde temperatuur bereikt, zal het gereedschap automatisch stoppen. In dat geval laat u het gereedschap afkoelen, voordat u het opnieuw inschakelt.

Aangeven van de resterende accuspanning (Fig. 3)

(Alleen voor accu's waarvan het modelnummer eindigt in een "B".)

Druk op de controletoets van de accu om de resterende accuspanning te zien. De spanningslampjes gaan enkele seconden lang branden.

Spanningslampjes			Resterende accuspanning
Verlicht	Gedooft	Knippend	
■	□	▧	75% tot 100%
■	■	■	50% tot 75%
■	■	□	25% tot 50%
■	□	□	0% tot 25%
▧	□	□	Laad de accu op.
■	■	□	Wellicht is er iets mis met de accu.
□	□	■	

015658

OPMERKING:

- Afhankelijk van de gebruiksomstandigheden en de omgevingstemperatuur kan de aanduiding wel eens ietwat afwijken van de werkelijk resterende accuspanning.

Schakelaarwerking (Fig. 4)

⚠ LET OP:

- Alvorens de accu in het gereedschap te plaatsen, dient u er zeker van te zijn dat het gereedschap is uitgeschakeld.

Om het gereedschap te starten, schuift u de stroomschakelaar in de "I (ON)" stand.

Om het gereedschap te stoppen, schuift u de stroomschakelaar in de "O (OFF)" stand.

Instellen van het draaislagtempo (Fig. 5)

Het draaislagtempo is instelbaar. Om het draaislagtempo in te stellen, draait u de instelknop in een stand van 1 tot 6. Hoe hoger de cijferwaarde, des te hoger het draaislagtempo. Stel de instelknop in op een cijferwaarde die geschikt is voor uw werkstuk.

OPMERKING:

- De instelknop kan niet direct worden teruggedraaid van 1 naar 6 of doorgedraaid van 6 naar 1. Als u de instelknop forceert, wordt het gereedschap beschadigd. Wanneer u de stand van de instelknop verandert, draait u deze door alle tussenliggende nummers heen.

Verklikkerlampje (Fig. 6)

- Wanneer de accu nog maar weinig stroom kan leveren, gaat het verklikkerlampje knipperen.
- Wanneer de accu vrijwel geheel leeg is, stopt het gereedschap tussentijds en blijft het verklikkerlampje ongeveer 10 seconden lang branden.

Dan verwijdert u de accu uit het gereedschap en laadt u die op.

INEENZETTEN

⚠ LET OP:

- Controleer altijd of het gereedschap is uitgeschakeld en de accu ervan is verwijderd alvorens enig werk aan het gereedschap uit te voeren.

Aanbrengen en verwijderen van werktuigen (optioneel accessoires) (Fig. 7, 8, 9 en 10)

⚠ WAARSCHUWING:

- Pas op dat u het werktuig niet ondersteboven aanbrengt. Als u het werktuig ondersteboven plaatst, kan dat het werktuig beschadigen en soms zelfs ernstig letsel veroorzaken.
- Monteer het werktuig in de juiste richting, die het best voldoet voor uw werkstuk. Het werktuig kan worden gemonteerd in enkele standen, met 30 graden er tussen.

⚠ LET OP:

- Wees voorzichtig bij het sluiten van de borghendel. Uw vinger zou knel kunnen raken als de borghendel plotseling dichtklapt.
- Verwijder aanklevend stof en smeer af en toe het scharnierpunt van de borghendel. Anders kan het stof zich geleidelijk afzetten op het scharnierpunt van de borghendel, zodat die niet meer soepel beweegt.

- Start het gereedschap niet met de borghendel in geopende stand. Anders kan het gereedschap beschadigd worden.

1. Klap de borghendel helemaal open. En verwijder dan de montagebout.
2. Plaats een werktuig (optioneel accessoire) op de werktuigflens, zodanig dat de openingen in het werktuig precies over de nokken op de werktuigflens passen.
3. Steek de montagebout er in totdat die stuit. Klap daarna de borghendel terug in de oorspronkelijke stand.

Bij gebruik van het schuurwerktuig, brengt u het werktuig zo op het schuurblok aan dat het overeenkomt met de richting van het schuurblok.

Het schuurblok heeft een bevestigingsvlak met klittenband, zodat u het schuurpapier er snel en gemakkelijk op kunt bevestigen.

In het schuurpapier zijn openingen voor afzuigen van het stof, dus zorgt u bij het aanbrengen dat die gaten samen vallen met de openingen in het schuurblok.

Om het schuurpapier te verwijderen, trekt u het uiteinde omhoog en pelt u het los.

Om de montagebout te verwijderen, volgt u de montageaanzwijzingen in omgekeerde volgorde.

Voor gebruik van werktuigen met een afwijkend aansluitstuk maakt u gebruik van een geschikte aansluitadapter (optioneel accessoire).

BEDIENING

⚠ WAARSCHUWING:

- Kom vóór en tijdens het werken met het gereedschap niet met uw handen of uw gezicht in de buurt van het werktuig.

⚠ LET OP:

- Zorg dat het werktuig niet al te zwaar belast wordt, want daardoor kan de motor van het gereedschap blokkeren en afslaan.

Snijden, zagen en schuren (Fig. 11)

⚠ LET OP:

- Beweeg het gereedschap niet met kracht in een richting (zijwaarts bijvoorbeeld) waarin het werktuig geen snijvlak heeft. Dat zou het gereedschap kunnen beschadigen.

Plaats het werktuig op uw werkstuk.

Beweeg dan het gereedschap naar voren, zodanig dat dit de beweging van het werktuig niet vertraagt.

OPMERKING:

- Als u het forceert of te veel druk uitoefent op het gereedschap, wordt de werking minder doeltreffend.
- Vóór het snijden is het aanbevolen het draaislagtempo in te stellen op 4 – 6.
- Verwijder zaagsel door het gereedschap gelijkmatig te bewegen. Dan werkt het doeltreffender.
- De ronde zaag is aanbevolen voor het maken van een lange rechte zaagsnede.

Polijsen (Fig. 12)

⚠ LET OP:

- Schuurpapier dat al voor metaal is gebruikt mag u niet meer voor hout gebruiken.
- Gebruik geen versleten schuurpapier of schuurpapier zonder korrel.

Plaats het schuurpapier tegen uw werkstuk aan.

OPMERKING:

- Het is aanbevolen even proef te draaien met wat testmateriaal, om vooraf het juiste draaislagtempo voor uw werkstuk te bepalen.
- Blijf schuurpapier van dezelfde korrelgrootte gebruiken totdat u hele werkstuk volledig is geschuurd. Als u het schuurpapier tussentijds vervangt door een fijnere of grovere gradatie, kunt u soms geen goede afwerking verkrijgen.

Stofzuigaansluitstuk (optioneel accessoire)

(Fig. 13 en 14)

- Monteer de stofmondstukken en het stofzuigaansluitstuk.
- Monteer de mondstukkleem zodanig op het gereedschap dat de nokken in de sleuven van het gereedschap passen, om het vast te zetten.
- Plaats de viilen ring en het schuurblok op het stofzuigaansluitstuk en zet ze dan vast met de werktuigmontagebout.

Wanneer u stofvrij wilt werken, kunt u een stofzuiger op uw gereedschap aansluiten. Sluit de slang van de stofzuiger aan op het stofzuigaansluitstuk (optioneel accessoire).

ONDERHOUD

⚠ LET OP:

- Zorg altijd dat het gereedschap is uitgeschakeld en de accu is verwijderd voordat u inspecties of onderhoud gaat verrichten, uitgezonderd de volgende controlepunten met betrekking tot het lampje.
- Gebruik nooit benzine, wasbenzine, thinner, alcohol en dergelijke. Hierdoor kunnen verkleuring, vervormingen en barsten worden veroorzaakt.

Om de VEILIGHEID en BETROUWBAARHEID van het gereedschap te verzekeren, dienen alle reparaties, inspectie en vervanging van koolborstels, en alle andere onderhoudswerkzaamheden of afstellingen te worden uitgevoerd door een erkend Makita servicecentrum, en dit uitsluitend met gebruik van originele Makita vervangingsonderdelen.

OPTIONELE ACCESSOIRES

⚠ LET OP:

- Deze accessoires of hulpstukken worden aanbevolen voor gebruik met het Makita gereedschap dat in deze gebruiksaanwijzing is beschreven. Bij gebruik van andere accessoires of hulpstukken bestaat er gevaar voor persoonlijke verwonding. Gebruik de accessoires of hulpstukken uitsluitend voor hun bestemde doel.

Raadpleeg het dichtstbijzijnde Makita Servicecentrum voor verder advies of bijzonderheden omtrent deze accessoires.

- Segmentzaagblad
- Rond zaagblad
- Zaagblad voor diepe insnede
- Schraper (onbuigzaam)
- Schraper (buigzaam)
- Gekarteld segmentzaagblad
- Universeel voegenmes
- HM verwijderaar
- HM segmentzaagblad
- HM schuurplaat

- Diamant-segmentzaagblad
- Schuurblok
- Adapter
- Schuurpapier-delta (rood/wit/zwart)
- Kunstvacht-delta (midden/grof/zonder korrel)
- Polijstvlit-delta
- Zeskant-inbussleutel
- Stofzuigaansluitstuk
- Originele Makita accu en acculader

OPMERKING:

- Sommige onderdelen in deze lijst kunnen bij het gereedschap zijn meegeleverd als standaard-accessoires. Deze kunnen van land tot land verschillen.

ENG905-1

Geluidsniveau

De typisch, A-gewogen geluidsniveaus vastgesteld volgens EN60745:

Toepassing: schuren

Model DTM41

Geluidsdrukniveau (L_{pA}): 76 dB (A)

Onnauwkeurigheid (K): 3 dB (A)

Tijdens het werken kan het geluidsniveau 80 dB (A) overschrijden.

Model DTM51

Geluidsdrukniveau (L_{pA}): 77 dB (A)

Onnauwkeurigheid (K): 3 dB (A)

Tijdens het werken kan het geluidsniveau 80 dB (A) overschrijden.

Toepassing: snijden met het zaagblad voor diepe insnede

Model DTM41

Geluidsdrukniveau (L_{pA}): 80 dB (A)

Geluidsvermogeniveau (L_{WA}): 91 dB (A)

Onnauwkeurigheid (K): 3 dB (A)

Model DTM51

Geluidsdrukniveau (L_{pA}): 81 dB (A)

Geluidsvermogeniveau (L_{WA}): 92 dB (A)

Onnauwkeurigheid (K): 3 dB (A)

Toepassing: snijden met het segmentzaagblad

Model DTM41

Geluidsdrukniveau (L_{pA}): 77 dB (A)

Onnauwkeurigheid (K): 3 dB (A)

Tijdens het werken kan het geluidsniveau 80 dB (A) overschrijden.

Model DTM51

Geluidsdrukniveau (L_{pA}): 76 dB (A)

Onnauwkeurigheid (K): 3 dB (A)

Tijdens het werken kan het geluidsniveau 80 dB (A) overschrijden.

Toepassing: afschrapen

Model DTM41

Geluidsdrukniveau (L_{pA}): 78 dB (A)

Onnauwkeurigheid (K): 3 dB (A)

Tijdens het werken kan het geluidsniveau 80 dB (A) overschrijden.

Model DTM51

Geluidsdrukniveau (L_{pA}): 80 dB (A)

Geluidsvermogeniveau (L_{WA}): 91 dB (A)

Onnauwkeurigheid (K): 3 dB (A)

Draag oorbeschermers

Trilling

De totaalwaarde van de trillingen (triaxiale vectorsom) vastgesteld volgens EN60745:

Model DTM41

Toepassing: schuren
Trillingsemisissie (a_n): 3,0 m/s²
Onnauwkeurigheid (K): 1,5 m/s²

Model DTM51

Toepassing: schuren
Trillingsemisissie (a_n): 3,0 m/s²
Onnauwkeurigheid (K): 1,5 m/s²

Model DTM41

Toepassing: snijden met het zaagblad voor diepe insnede
Trillingsemisissie (a_n): 7,0 m/s²
Onnauwkeurigheid (K): 1,5 m/s²

Model DTM51

Toepassing: snijden met het zaagblad voor diepe insnede
Trillingsemisissie (a_n): 7,0 m/s²
Onnauwkeurigheid (K): 1,5 m/s²

Model DTM41

Toepassing: snijden met het segmentzaagblad
Trillingsemisissie (a_n): 4,5 m/s²
Onnauwkeurigheid (K): 1,5 m/s²

Model DTM51

Toepassing: snijden met het segmentzaagblad
Trillingsemisissie (a_n): 4,5 m/s²
Onnauwkeurigheid (K): 1,5 m/s²

Model DTM41

Toepassing: afschrappen
Trillingsemisissie (a_n): 5,0 m/s²
Onnauwkeurigheid (K): 1,5 m/s²

Model DTM51

Toepassing: afschrappen
Trillingsemisissie (a_n): 5,5 m/s²
Onnauwkeurigheid (K): 1,5 m/s²

ENG901-1

- De opgegeven trillingsemisissiewaarde is gemeten volgens de standaardtestmethode en kan worden gebruikt om dit gereedschap te vergelijken met andere gereedschappen.
- De opgegeven trillingsemisissiewaarde kan ook worden gebruikt voor een beoordeling vooraf van de blootstelling.

⚠ WAARSCHUWING:

- De trillingsemisissie tijdens het gebruik van het elektrisch gereedschap in de praktijk kan verschillen van de opgegeven trillingsemisissiewaarde afhankelijk van de manier waarop het gereedschap wordt gebruikt.
- Zorg ervoor dat veiligheidsmaatregelen worden getroffen ter bescherming van de operator die zijn gebaseerd op een schatting van de blootstelling onder praktijkomstandigheden (rekening houdend met alle fasen van de bedrijfscyclus, zoals de tijdsduur gedurende welke het gereedschap is uitgeschakeld en stationair draait, naast de ingeschakelde tijdsduur).

Alleen voor Europese landen**EU-Verklaring van Conformiteit****Makita verklaart hierbij dat de volgende machine(s):**

Aanduiding van de machine:
Snoerloze zaag- en schuurmachine
Modelnr./ Type: DTM41, DTM51

Voldoet aan de volgende Europese Richtlijnen:

2006/42/EU

Ze zijn gefabriceerd in overeenstemming met de volgende norm of genormaliseerde documenten:

EN60745

Het technisch documentatiebestand volgens 2006/42/EU is verkrijgbaar in:

Makita, Jan-Baptist Vinkstraat 2, 3070, België

18.7.2013



Yasushi Fukaya
Directeur

Makita, Jan-Baptist Vinkstraat 2, 3070, België

Explicación de los dibujos

- | | | |
|--------------------------|---|---|
| 1 Botón | 10 Perno de sujeción | 17 Accesorio para recogida de polvo |
| 2 Indicador rojo | 11 Palanca de bloqueo | 18 Anillo de fieltro |
| 3 Cartucho de batería | 12 Agujeros en la herramienta de trabajo | 19 Plato |
| 4 Marca de estrella | 13 Protuberancias de la brida de la herramienta | 20 Agujeros en la herramienta |
| 5 Lámparas indicadoras | 14 Adaptador | 21 Protuberancias en la banda para boquilla |
| 6 Botón de comprobación | 15 Banda para boquilla | |
| 7 Interruptor deslizable | 16 Boquilla de recogida de polvo | |
| 8 Dial | | |
| 9 Lámpara de indicación | | |

ESPECIFICACIONES

Modelo		DTM41		DTM51	
Oscilaciones por minuto		6.000 – 20.000 (min ⁻¹)			
Ángulo de oscilación, izquierda/derecha		1,6° (3,2° total)			
Cartucho de batería estándar		BL1430/ BL1440/ BL1450	BL1415*/ BL1415N*	BL1830/ BL1840/ BL1840B/ BL1850/ BL1850B	BL1815*/ BL1815N*/ BL1820*/ BL1820B*
Longitud total		340 mm	326 mm	340 mm	326 mm
Peso neto	sin accesorio para recogida de polvo	2,1 kg	2,0 kg	2,2 kg	2,0 kg
	con accesorio para recogida de polvo	2,2 kg	2,1 kg	2,3 kg	2,1 kg
Tensión nominal		CC 14,4 V		CC 18 V	

* NOTA: Para una operación continua, se recomienda utilizar los cartuchos de batería de alta capacidad BL1430, BL1440, BL1450, BL1830, BL1840, BL1840B, BL1850 y BL1850B.

- Debido a un programa continuo de investigación y desarrollo, las especificaciones aquí dadas están sujetas a cambios sin previo aviso.
- Las especificaciones y el cartucho de batería pueden diferir de país a país.
- Peso, con el cartucho de batería, de acuerdo con el procedimiento EPTA 01/2003

ENE080-1

Uso previsto

La herramienta ha sido prevista para serrar y cortar madera, plástico, yeso, metales no ferrosos, y elementos de sujeción (por ejemplo, clavos y grapas no endurecidos). También ha sido prevista para trabajos en azulejos blandos, así como para lijar en seco y raspar superficies pequeñas. Es especialmente indicada para trabajar cerca de bordes y cortar a ras.

GEA010-1

Advertencias de seguridad generales para herramientas eléctricas

⚠ ¡ADVERTENCIA! Lea todas las advertencias de seguridad y todas las instrucciones. Si no sigue todas las advertencias e instrucciones podrá ocasionar una descarga eléctrica, un incendio y/o heridas graves.

Guardé todas las advertencias e instrucciones para futuras referencias.

GEB094-2

ADVERTENCIAS DE SEGURIDAD PARA LA MULTITOOL INALÁMBRICA

- Esta herramienta eléctrica ha sido prevista para serrar, cortar, amolar y lijar. Lea todas las advertencias de seguridad, instrucciones, ilustraciones y especificaciones previstas con esta herramienta eléctrica.** Si no sigue todas las instrucciones indicadas a continuación, podrá ocasionar una descarga eléctrica, un incendio y/o heridas graves.
- Cuando realice una operación en la que el accesorio de corte pueda entrar en contacto con cableado oculto, sujete la herramienta eléctrica por las superficies de asimiento aisladas.** El contacto del accesorio de corte con un cable con corriente hará que la corriente circule por las partes metálicas expuestas de la herramienta eléctrica y podrá soltar una descarga eléctrica al operario.
- Utilice mordazas u otros medios de sujeción prácticos para sujetar y apoyar la pieza de trabajo en una plataforma estable.** Sujetada con la mano o contra su cuerpo, la pieza de trabajo estará inestable y podrá ocasionar la pérdida del control.
- Utilice siempre gafas de seguridad o gafas de protección. Las gafas normales o de sol NO sirven para proteger los ojos.**
- Evite cortar clavos. Inspeccione la pieza de trabajo para ver si tiene algún clavo y quítelos antes de iniciar la operación.**
- Sujete la herramienta firmemente.**

7. Asegúrese de que la herramienta de trabajo no esté haciendo contacto con la pieza de trabajo antes de activar el interruptor.
8. Mantenga las manos alejadas de las partes en movimiento.
9. No deje la herramienta en marcha. Tenga en marcha la herramienta solamente cuando la tenga en la mano.
10. Apague siempre la herramienta y espere hasta que la hoja se haya parado completamente antes de retirar la hoja de la pieza de trabajo.
11. No toque la herramienta de trabajo ni la pieza de trabajo inmediatamente después de la operación; estarán muy calientes y podrán quemarle la piel.
12. No utilice la herramienta en vacío innecesariamente.
13. Utilice siempre la mascarilla contra el polvo/respirador correcto para el material con que esté trabajando y la aplicación que realice.
14. Algunos materiales contienen sustancias químicas que podrán ser tóxicas. Tenga precaución para evitar la inhalación de polvo y el contacto con la piel. Siga los datos de seguridad del abastecedor del material.
15. Esta herramienta no es a prueba de agua, por lo que no deberá utilizar agua en la superficie de la pieza de trabajo.
16. Ventile debidamente su área de trabajo cuando realice operaciones de lijado.
17. La utilización de esta herramienta para lijar algunos productos, pinturas y madera podrá exponer al usuario a polvo que contenga sustancias peligrosas. Utilice protección respiratoria apropiada.
18. Asegúrese de que no haya grietas o roturas en el plato antes de utilizarlo. Las grietas y roturas pueden ocasionar heridas personales.
19. No utilice accesorios que no estén específicamente diseñados y recomendados por el fabricante de la herramienta. Solamente porque el accesorio pueda ser instalado en su herramienta eléctrica, no quiere decir que su operación sea segura.
20. Póngase equipo de protección personal. En función de la aplicación, utilice pantalla facial, gafas de protección o gafas de seguridad. Según corresponda, póngase protectores auditivos, guantes y delantal de taller que pueda detener los pequeños fragmentos abrasivos o de pieza de trabajo. La protección de los ojos deberá ser capaz de detener los restos que salen volando generados en las diferentes operaciones. La mascarilla contra el polvo o respirador deberá ser capaz de filtrar las partículas generadas en su operación. La exposición prolongada a ruido de alta intensidad podrá ocasionar pérdida auditiva.
21. Mantenga a los curiosos a una distancia segura alejados del área de trabajo. Cualquier persona que entre en el área de trabajo deberá usar equipo de protección personal. Los fragmentos de la pieza de trabajo o de un accesorio roto pueden salir volando y ocasionar heridas más allá del área de operación inmediata.
22. No deje nunca la herramienta eléctrica hasta que el accesorio se haya detenido completamente. El accesorio giratorio puede agarrarse en la superficie y tirar de la herramienta eléctrica dejándola fuera de control.
23. No tenga la herramienta eléctrica encendida mientras la lleva en su costado. Un contacto accidental con el accesorio podría enganchar sus ropas, y arrastrar el accesorio hacia su cuerpo.
24. No utilice la herramienta eléctrica cerca de materiales inflamables. Las chispas pueden prender estos materiales.
25. No utilice accesorios que requieran refrigerantes líquidos. La utilización de agua u otros refrigerantes líquidos puede resultar en electrocución o descarga eléctrica.
26. Asegúrese siempre de que la herramienta esté apagada y desenchufada o que el cartucho de batería haya sido extraído antes de realizar cualquier trabajo en la herramienta.
27. Asegúrese siempre de que tiene suelo firme. Asegúrese de que no haya nadie debajo cuando utilice la herramienta en lugares altos.

GUARDE ESTAS INSTRUCCIONES.

⚠ ADVERTENCIA:

NO deje que la comodidad o familiaridad con el producto (a base de utilizarlo repetidamente) sustituya la estricta observancia de las normas de seguridad para el producto en cuestión. El MAL USO o el no seguir las normas de seguridad establecidas en este manual de instrucciones podrá ocasionar graves heridas personales.

ENC007-9

INSTRUCCIONES DE SEGURIDAD IMPORTANTES

PARA EL CARTUCHO DE BATERÍA

1. Antes de utilizar el cartucho de batería, lea todas las instrucciones e indicaciones de precaución sobre (1) el cargador de baterías, (2) la batería, y (3) el producto con el que se utiliza la batería.
2. No desarme el cartucho de batería.
3. Si el tiempo de uso del cartucho de batería se acorta demasiado, deje de usarlo inmediatamente. Podría resultar en un riesgo de recalentamiento, posibles quemaduras e incluso una explosión.
4. Si entra electrólito en sus ojos, aclárelos con agua limpia y vea a un médico inmediatamente. Existe el riesgo de poder perder la vista.
5. No cortocircuite el cartucho de batería:
 - (1) No toque los terminales con ningún material conductor.
 - (2) Evite guardar el cartucho de batería en un cajón junto con otros objetos metálicos, tales como clavos, monedas, etc.
 - (3) No exponga el cartucho de batería al agua ni a la lluvia.

Un cortocircuito en la batería puede producir una gran circulación de corriente, un recalentamiento, posibles quemaduras e incluso una rotura de la misma.

6. No guarde la herramienta ni el cartucho de batería en lugares donde la temperatura pueda alcanzar o exceder los 50°C.
7. Nunca incinere el cartucho de batería incluso en el caso de que esté dañado seriamente o ya no sirva en absoluto.
El cartucho de batería puede explotar si se tira al fuego.
8. Tenga cuidado de no dejar caer ni golpear el cartucho de batería.
9. No utilice una batería dañada.
10. Siga los reglamentos locales referentes al desecho de la batería.

GUARDE ESTAS INSTRUCCIONES.

Consejos para alargar al máximo la vida de servicio de la batería

1. Cargue el cartucho de batería antes de que se descargue completamente.
Pare siempre la operación y cargue el cartucho de batería cuando note menos potencia en la herramienta.
2. No cargue nunca un cartucho de batería que esté completamente cargado.
La sobrecarga acortará la vida de servicio de la batería.
3. Cargue el cartucho de batería a temperatura ambiente de 10°C – 40°C. Si un cartucho de batería está caliente, déjelo enfriar antes de cargarlo.
4. Cargue el cartucho de batería si no lo utiliza durante un periodo de tiempo prolongado (más de seis meses).

DESCRIPCIÓN DEL FUNCIONAMIENTO

⚠ ADVERTENCIA:

- Asegúrese siempre de que la herramienta esté apagada y el cartucho de batería extraído antes de realizar cualquier ajuste o comprobación en la herramienta. Si no apaga la herramienta y desmonta el cartucho de batería podrá sufrir graves heridas personales a causa de una puesta en marcha accidental.

Instalación o extracción del cartucho de batería (Fig. 1)

⚠ PRECAUCIÓN:

- Apague siempre la herramienta antes de la instalación o extracción del cartucho de batería.
- Sujete la herramienta y el cartucho de batería firmemente cuando instale o extraiga el cartucho de batería. Si no sujeta la herramienta y el cartucho de batería firmemente podrán caérsele de las manos y resultar en daños a la herramienta y cartucho de batería y heridas personales.

Para extraer el cartucho de batería, deslícelo de la herramienta a la vez que desliza el botón de la parte frontal del cartucho.

Para instalar el cartucho de batería, alinee la lengüeta del cartucho de batería con la ranura de la carcasa y deslícelo hasta que encaje en su sitio. Insértelo a tope hasta que se bloquee en su sitio produciendo un pequeño chasquido. Si puede ver el indicador rojo en el lado superior del botón, no estará bloqueado completamente.

⚠ PRECAUCIÓN:

- Instale siempre el cartucho de batería completamente hasta que no pueda verse el indicador rojo. En caso contrario, podrá caerse accidentalmente de la herramienta y ocasionarle heridas a usted o a alguien que esté cerca de usted.
- No instale el cartucho de batería empleando fuerza. Si el cartucho no se desliza al interior fácilmente, será porque no está siendo insertado correctamente.

Sistema de protección de la batería (Batería de litio-ión con marca de estrella) (Fig. 2)

Las baterías de litio-ión con marca de estrella están equipadas con un sistema de protección. Este sistema corta automáticamente la alimentación de la herramienta para alargar la vida útil de la batería.

La herramienta se detendrá automáticamente durante la operación si la herramienta y/o la batería son puestas en una de las condiciones siguientes:

- Sobrecargada:
La herramienta es utilizada de una manera que da lugar a que tenga que absorber una corriente anormalmente alta.
En esta situación, deslice el interruptor deslizable de la herramienta hacia la posición "O (OFF)" y detenga la tarea que ocasiona la sobrecarga de la herramienta. Después deslice el interruptor deslizable hacia la posición "I (ON)" para volver a ponerla en marcha.
Si la herramienta no se pone en marcha, la batería estará recalentada. En esta situación, deje que la batería se enfríe antes de deslizar el interruptor deslizable hacia la posición "I (ON)" otra vez.
- Tensión baja en la batería:
La capacidad de batería restante es muy baja y la herramienta no funcionará. En esta situación, extraiga la batería y vuelva a cargarla.

Protección contra el recalentamiento

Cuando la herramienta esté sobrecargada y la temperatura de la herramienta alcance un cierto nivel, la herramienta se detendrá automáticamente. En esta situación, deje que la herramienta se enfríe antes de encender la herramienta otra vez.

Indicación de la capacidad de batería restante (Fig. 3)

(Solamente para cartuchos de batería con "B" al final del número de modelo).

Pulse el botón de comprobación en el cartucho de batería para indicar la capacidad de batería restante. Las lámparas indicadoras se iluminan durante unos pocos segundos.

Lámparas indicadoras			Capacidad restante
Encendida	Apagada	Papadeando	
			75% a 100%
			50% a 75%
			25% a 50%
			0% a 25%
			Cargue la batería.
			Es posible que la batería no funcione bien.

015658

NOTA:

- Dependiendo de las condiciones de utilización y la temperatura ambiente, es posible que la indicación varíe ligeramente de la capacidad real.

Accionamiento del interruptor (Fig. 4)

⚠ PRECAUCIÓN:

- Antes de instalar el cartucho de batería en la herramienta, compruebe siempre para asegurarse de que la herramienta está apagada.

Para poner en marcha la herramienta, deslice el interruptor deslizante hacia la posición "I (ON)".

Para detener la herramienta, deslice el interruptor deslizante hacia la posición "O (OFF)".

Ajuste del rango de la carrera orbital (Fig. 5)

El rango de la carrera orbital se puede ajustar. Para cambiar el rango de la carrera orbital, gire el dial entre 1 y 6. Cuanto más alto sea el número, mayor será el rango de la carrera orbital. Preajuste el dial en el número apropiado para su pieza de trabajo.

NOTA:

- El dial no se puede girar directamente del 1 al 6 ni del 6 al 1. Si fuerza el dial podrá dañar la herramienta. Cuando cambie la dirección del dial, gire siempre el dial moviéndolo a través de cada número intermedio.

Lámpara de indicación (Fig. 6)

- Cuando la capacidad de batería restante sea baja, la lámpara de indicación parpadeará.
- Cuando la capacidad de batería restante sea muy baja, la herramienta se detendrá durante la operación y la lámpara de indicación se encenderá durante unos 10 segundos.

En este momento, extraiga el cartucho de batería de la herramienta y cárguelo.

MONTAJE

⚠ PRECAUCIÓN:

- Asegúrese siempre de que la herramienta esté apagada y el cartucho de batería extraído antes de realizar cualquier trabajo en la herramienta.

Instalación o desmontaje de la herramienta de trabajo (accesorio opcional) (Fig. 7, 8, 9 y 10)

⚠ ADVERTENCIA:

- No instale la herramienta de trabajo al revés. Si instala la herramienta de trabajo al revés podrá dañar la herramienta y ocasionar heridas personales graves.
- Instale la herramienta de trabajo en la dirección correcta de acuerdo con su tarea. La herramienta de trabajo se puede instalar en un ángulo de cada 30 grados.

⚠ PRECAUCIÓN:

- Tenga cuidado cuando cierre la palanca de bloqueo. La palanca de bloqueo puede cerrarse repentinamente y pillar su dedo.
- Quite el polvo y engrase la parte móvil de la palanca de bloqueo de vez en cuando. De lo contrario, el polvo podrá acumularse en la parte móvil de la palanca de bloqueo e impedir su libre movimiento.
- No ponga en marcha la herramienta con la palanca abierta. Podría dañar la herramienta.

1. Abra la palanca de bloqueo completamente. Y retire el perno de sujeción.
2. Ponga una herramienta de trabajo (accesorio opcional) en la brida de la herramienta de forma que las protuberancias de la brida de la herramienta encajen en los agujeros de la herramienta de trabajo.
3. Inserte el perno de sujeción a tope. Y después, vuelva a poner la palanca de bloqueo en su posición original.

Quando utilice la herramienta de trabajo de lijar, monte la herramienta de trabajo en el plato para lijar de forma que coincida con la dirección del plato para lijar.

El plato para lijar tiene un sistema de fijación de tipo gancho y lazo que permite una colocación fácil y rápida del papel de lijar.

Como los papeles de lijar tienen agujeros para la extracción del polvo, monte el papel de lijar de forma que los agujeros en el papel de lijar coincidan con los del plato para lijar.

Para quitar el papel de lijar, levante el borde del mismo y despréndalo.

Para desmontar el perno de sujeción, siga el procedimiento de instalación a la inversa.

Quando utilice herramientas de trabajo con una sección de instalación de tipo diferente, utilice un adaptador correcto (accesorio opcional).

OPERACIÓN

⚠ ADVERTENCIA:

- Antes de poner en marcha la herramienta y durante la operación, mantenga sus manos y cara alejadas de la herramienta de trabajo.

⚠ PRECAUCIÓN:

- No aplique una carga excesiva a la herramienta ya que podrá ocasionar el bloqueo del motor y que se detenga la herramienta.

Cortar, serrar y raspar (Fig. 11)

⚠ PRECAUCIÓN:

- No mueva la herramienta a la fuerza en la dirección de aplicación de la misma (por ejemplo, hacia los lados) sin el borde de corte. Podría dañar la herramienta.

Ponga la herramienta de trabajo sobre la pieza de trabajo.

Y después mueva la herramienta hacia adelante de forma que el movimiento de la herramienta de trabajo no se reduzca.

NOTA:

- Si ejerce fuerza o presión excesiva en la herramienta podrá reducir la eficacia.
- Antes de realizar la operación de corte, se recomienda preajustar el rango de la carrera orbital entre 4 y 6.
- Retire el serrín manejando la herramienta de forma adecuada. De esta forma realizará el trabajo con más eficiencia.
- La sierra redonda es recomendada para cortes largos en línea recta.

Lijado (Fig. 12)

⚠ PRECAUCIÓN:

- No vuelva a utilizar un papel de lijar usado para lijar metal o madera.
- No utilice un papel de lijar gastado o papel de lijar sin gránulos.

Aplique un papel de lijar sobre la pieza de trabajo.

NOTA:

- Se recomienda utilizar una muestra de material para probar a fin de determinar un rango de carrera orbital correcto apropiado para su tarea.
- Utilice un papel de lijar con el mismo gránulo hasta completar el lijado de toda la pieza de trabajo. Si reemplaza un papel de lijar con papel de lijar de gránulo diferente podrá no obtener un acabado fino.

Accesorio de extracción de polvo (accesorio opcional) (Fig. 13 y 14)

- Instale las boquillas de recogida de polvo y el accesorio para recogida de polvo.
- Instale la banda para boquilla en la herramienta de forma que sus protuberancias encajen en los agujeros de la herramienta para sujetarla.
- Ponga el anillo de fieltro y el plato para lijar en el accesorio para recogida de polvo y después sujételos con el perno de instalación de la herramienta de trabajo.

Cuando desee realizar operaciones más limpias, conecte un aspirador a su herramienta. Conecte una manguera del aspirador al accesorio de extracción de polvo (accesorio opcional).

MANTENIMIENTO

⚠ PRECAUCIÓN:

- Asegúrese siempre de que la herramienta esté apagada y el cartucho de batería extraído antes de intentar realizar una inspección o mantenimiento, excepto para la solución de problemas siguiente relacionada con la luz.
- No utilice nunca gasolina, bencina, disolvente, alcohol o similares. Podría producir descoloración, deformación o grietas.

Para mantener la SEGURIDAD y FIABILIDAD del producto, las reparaciones, la inspección y sustitución de las escobillas de carbón, y cualquier otro mantenimiento o ajuste deberán ser realizados en centros de servicios autorizados por Makita, empleando siempre piezas de repuesto de Makita.

ACCESORIOS OPCIONALES

⚠ PRECAUCIÓN:

- Estos accesorios o aditamentos están recomendados para su uso con la herramienta Makita especificada en este manual. El uso de cualquier otro accesorio o aditamento puede suponer un riesgo de lesiones personales. Utilice el accesorio o aditamento exclusivamente para su uso declarado.

Si necesita información más detallada sobre estos accesorios, consulte con su centro local de servicio de Makita.

- Hoja de sierra segmentada
- Hoja de sierra redonda
- Hoja sierra de corte por inmersión
- Raspador (rígido)
- Raspador (flexible)
- Hoja segmentada serrada
- Cortadora de juntas general
- Removedor HM
- Hoja de sierra segmentada HM
- Placa de lijar HM
- Hoja de sierra segmentada de diamante
- Plato para lijar
- Adaptador
- Papel abrasivo delta (rojo / blanco / negro)
- Delta de lana (medio / basta / sin gránulo)
- Delta de fieltro para pulir
- Llave hexagonal
- Accesorio de extracción de polvo
- Batería y cargador genuinos de Makita

NOTA:

- Algunos elementos de la lista podrán estar incluidos en el paquete de la herramienta como accesorios estándar. Pueden variar de un país a otro.

ENG905-1

Ruido

El nivel de ruido A-ponderado típico determinado de acuerdo con la norma EN60745:

Modo tarea: lijado

Modelo DTM41

Nivel de presión sonora (L_{pA}): 76 dB (A)

Incerteza (K): 3 dB (A)

El nivel de ruido en condiciones de trabajo puede que sobrepase los 80 dB (A).

Modelo DTM51

Nivel de presión sonora (L_{pA}): 77 dB (A)

Incerteza (K): 3 dB (A)

El nivel de ruido en condiciones de trabajo puede que sobrepase los 80 dB (A).

Modo tarea: corte con hoja de sierra de corte por inmersión

Modelo DTM41

Nivel de presión sonora (L_{pA}): 80 dB (A)

Nivel de potencia sonora (L_{WA}): 91 dB (A)

Incerteza (K): 3 dB (A)

Modelo DTM51

Nivel de presión sonora (L_{pA}): 81 dB (A)
 Nivel de potencia sonora (L_{WA}): 92 dB (A)
 Incerteza (K): 3 dB (A)

Modo tarea: corte con hoja de sierra segmentada

Modelo DTM41

Nivel de presión sonora (L_{pA}): 77 dB (A)
 Incerteza (K): 3 dB (A)

El nivel de ruido en condiciones de trabajo puede que sobrepase los 80 dB (A).

Modelo DTM51

Nivel de presión sonora (L_{pA}): 76 dB (A)
 Incerteza (K): 3 dB (A)

El nivel de ruido en condiciones de trabajo puede que sobrepase los 80 dB (A).

Modo tarea: raspar

Modelo DTM41

Nivel de presión sonora (L_{pA}): 78 dB (A)
 Incerteza (K): 3 dB (A)

El nivel de ruido en condiciones de trabajo puede que sobrepase los 80 dB (A).

Modelo DTM51

Nivel de presión sonora (L_{pA}): 80 dB (A)
 Nivel de potencia sonora (L_{WA}): 91 dB (A)
 Incerteza (K): 3 dB (A)

Póngase protectores en los oídos

ENG900-1

Vibración

El valor total de la vibración (suma de vectores triaxiales) determinado de acuerdo con la norma EN60745:

Modelo DTM41

Modo tarea: lijado
 Emisión de vibración (a_h): 3,0 m/s²
 Incerteza (K): 1,5 m/s²

Modelo DTM51

Modo tarea: lijado
 Emisión de vibración (a_h): 3,0 m/s²
 Incerteza (K): 1,5 m/s²

Modelo DTM41

Modo tarea: corte con hoja de sierra de corte por inmersión
 Emisión de vibración (a_h): 7,0 m/s²
 Incerteza (K): 1,5 m/s²

Modelo DTM51

Modo tarea: corte con hoja de sierra de corte por inmersión
 Emisión de vibración (a_h): 7,0 m/s²
 Incerteza (K): 1,5 m/s²

Modelo DTM41

Modo tarea: corte con hoja de sierra segmentada
 Emisión de vibración (a_h): 4,5 m/s²
 Incerteza (K): 1,5 m/s²

Modelo DTM51

Modo tarea: corte con hoja de sierra segmentada
 Emisión de vibración (a_h): 4,5 m/s²
 Incerteza (K): 1,5 m/s²

Modelo DTM41

Modo tarea: raspar
 Emisión de vibración (a_h): 5,0 m/s²
 Incerteza (K): 1,5 m/s²

Modelo DTM51

Modo tarea: raspar
 Emisión de vibración (a_h): 5,5 m/s²
 Incerteza (K): 1,5 m/s²

ENG901-1

- El valor de emisión de vibración declarado ha sido medido de acuerdo con el método de prueba estándar y se puede utilizar para comparar una herramienta con otra.
- El valor de emisión de vibración declarado también se puede utilizar en una valoración preliminar de exposición.

⚠ ADVERTENCIA:

- La emisión de vibración durante la utilización real de la herramienta eléctrica puede variar del valor de emisión declarado dependiendo de las formas en las que la herramienta sea utilizada.
- Asegúrese de identificar medidas de seguridad para proteger al operario que estén basadas en una estimación de la exposición en las condiciones reales de utilización (teniendo en cuenta todas las partes del ciclo operativo tal como las veces cuando la herramienta está apagada y cuando está funcionando en vacío además del tiempo de gatillo).

ENH101-18

Para países europeos solamente**Declaración de conformidad CE****Makita declara que la(s) máquina(s) siguiente(s):**

Designación de máquina:

Multitool Inalámbrica

Modelo N°/ Tipo: DTM41, DTM51

Cumplen con las directivas europeas siguientes:

2006/42/CE

Están fabricadas de acuerdo con las normas o documentos normalizados siguientes:

EN60745

El archivo técnico de acuerdo con la norma 2006/42/CE está disponible en:

Makita, Jan-Baptist Vinkstraat 2, 3070, Bélgica

18.7.2013



Yasushi Fukaya
 Director

Makita, Jan-Baptist Vinkstraat 2, 3070, Bélgica

Explicação geral

1 Botão	9 Lâmpada de indicação	15 Cinta do bocal
2 Indicador vermelho	10 Parafuso do suporte	16 Bocal para poeira
3 Cartucho da bateria	11 Alavanca de bloqueio	17 Acoplamento para poeira
4 Marcação de estrela	12 Orifícios na ferramenta de aplicação	18 Arruela de feltro
5 Luzes indicadoras	13 Saliências da flange da ferramenta	19 Patim
6 Botão de verificação	14 Adaptador	20 Orifícios na ferramenta
7 Interruptor deslizante		21 Saliências na cinta do bocal
8 Mostrador		

ESPECIFICAÇÕES

Modelo		DTM41		DTM51	
Oscilação por minuto		6.000 – 20.000 (min ⁻¹)			
Ângulo de oscilação, esquerdo/direito		1,6° (3,2° total)			
Cartucho da bateria padrão		BL1430/ BL1440/ BL1450	BL1415*/ BL1415N*	BL1830/ BL1840/ BL1840B/ BL1850/ BL1850B	BL1815*/ BL1815N*/ BL1820*/ BL1820B*
Comprimento total		340 mm	326 mm	340 mm	326 mm
Peso líquido	sem acoplamento de extracção de poeira	2,1 kg	2,0 kg	2,2 kg	2,0 kg
	com acoplamento de extracção de poeira	2,2 kg	2,1 kg	2,3 kg	2,1 kg
Tensão nominal		14,4 V CC		18 V CC	

* NOTA: Para operação contínua, recomenda-se cartucho da bateria BL1430, BL1440, BL1450, BL1830, BL1840, BL1840B, BL1850 e BL1850B de alta capacidade.

- Devido ao nosso programa contínuo de pesquisa e desenvolvimento, as características indicadas neste documento estão sujeitas a alterações sem aviso prévio.
- As especificações e a bateria podem variar de país para país.
- Peso, com a bateria, de acordo com o Procedimento 01/2003 da EPTA (European Power Tool Association)

ENE080-1

Utilização a que se destina

A ferramenta serve para serrar e cortar madeira, plástico, gesso, metais não ferrosos e apertar componentes (por exemplo, pregos e agrafos não endurecidos). Serve também para trabalhar em azulejos de parede macios, assim como lixagem a seco e raspagem de pequenas superfícies. Especialmente para trabalhar próximo de extremidades e corte rente.

GEA010-1

Avisos gerais de segurança para ferramentas eléctricas

⚠ AVISO! Leia todos os avisos de segurança e todas as instruções. O não cumprimento de todos os avisos e instruções pode originar choque eléctrico, incêndio e/ou ferimentos graves.

Guarde todos os avisos e instruções para futuras referências.

GEB094-2

AVISOS DE SEGURANÇA PARA A MULTICORTADORA OSCILANTE A BATERIA

- 1. Esta ferramenta eléctrica serve para serrar, cortar, esmerilar e lixar. Leia todos os avisos de segurança, instruções, ilustrações e especificações fornecidos com esta ferramenta eléctrica.** O desrespeito de todas as instruções abaixo pode resultar em choque eléctrico, incêndio e/ou ferimento grave.
- 2. Segure na ferramenta eléctrica pelas superfícies de aderência isoladas, quando executar uma operação em que o acessório de corte possa entrar em contacto com fios ocultos.** O acessório de corte que entra em contacto com um fio "vivo" pode tornar as partes metálicas expostas da ferramenta eléctrica "vivas" e causar choque eléctrico ao operador.
- 3. Use grampos ou outra forma prática de fixar e apoiar a peça de trabalho a uma plataforma estável.** Segurar no trabalho com a mão ou contra o corpo deixa-o instável e pode conduzir à perda de controlo.
- 4. Use sempre óculos de segurança ou óculos de protecção.** Óculos normais ou de sol **NÃO** são óculos de segurança.
- 5. Evite cortar pregos.** Inspeccione a peça de trabalho para ver se existem pregos e retire-os antes da operação.
- 6. Segure a ferramenta firmemente.**

7. **Certifique-se de que a ferramenta de aplicação não está em contacto com a peça de trabalho antes do interruptor ser ligado.**
8. **Mantenha as mãos afastadas das partes em movimento.**
9. **Não deixe a ferramenta a funcionar. Opere a ferramenta apenas quando a estiver a agarrar.**
10. **Desligue sempre e espere que lâmina pare completamente antes de retirar a lâmina da peça de trabalho.**
11. **Não toque na ferramenta de aplicação ou na peça de trabalho imediatamente após a operação; podem estar extremamente quentes e queimar a sua pele.**
12. **Não opere a ferramenta desnecessariamente sem carga.**
13. **Use sempre a máscara/respirador anti-poeira correcto para o material e aplicação em que esteja a trabalhar.**
14. **Alguns materiais contêm químicos que podem ser tóxicos. Tome cuidado para evitar a inalação de poeira e o contacto com a pele. Siga os dados de segurança do fornecedor do material.**
15. **Esta ferramenta não foi impermeabilizada, por isso não use água na superfície da peça de trabalho.**
16. **Ventile adequadamente a sua área de trabalho quando executar operações de lixagem.**
17. **O uso desta ferramenta para lixar alguns produtos, pinturas e madeira pode expor o utilizador a poeira contendo substâncias perigosas. Use protecção respiratória adequada.**
18. **Certifique-se de que não existem fendas ou fissuras no patim antes de utilizar. As fendas ou fissuras podem provocar ferimentos corporais.**
19. **Não use acessórios que não sejam especificamente concebidos e recomendados pelo fabricante da ferramenta. Somente porque o acessório pode ser acoplado à sua ferramenta eléctrica, isso não assegura a operação segura.**
20. **Use equipamento de protecção individual. Dependendo da aplicação, use viseira, óculos de protecção ou óculos de segurança. Conforme necessário, use protectores para os ouvidos, luvas e avental de oficina capaz de impedir pequenos fragmentos abrasivos ou fragmentos da peça de trabalho. A protecção para os olhos deve ser capaz de impedir a projecção de detritos gerados por várias operações. A máscara ou respirador anti-poeira deve ser capaz de filtrar as partículas geradas pela sua operação. A exposição prolongada a ruído de alta intensidade pode causar perda auditiva.**
21. **Mantenha as pessoas presentes afastadas da área de trabalho a uma distância segura. Qualquer pessoa que entre na área de trabalho deve usar equipamento de protecção individual. Os fragmentos da peça de trabalho ou de um acessório partido podem projectar-se e provocar ferimento para além da área imediata de operação.**
22. **Nunca pouse a ferramenta eléctrica até o acessório parar por completo. O acessório giratório pode agarrar a superfície e tirar a ferramenta eléctrica do seu controlo.**
23. **Não deixe a ferramenta eléctrica a funcionar enquanto a transporta ao seu lado. O contacto accidental com o acessório pode prender-se ao seu vestuário, puxando o acessório para o seu corpo.**
24. **Não opere a ferramenta eléctrica próximo de materiais inflamáveis. As faíscas podem incendiar esses materiais.**
25. **Não use acessórios que precisem de refrigerantes líquidos. O uso de água ou outros refrigerantes líquidos pode resultar em electrocussão ou choque.**
26. **Certifique-se sempre de que a ferramenta está desligada e retirada da ficha ou que o cartucho da bateria é retirado antes de executar qualquer trabalho na ferramenta.**
27. **Certifique-se sempre que possui uma base firme. Certifique-se de que ninguém está por baixo quando usa a ferramenta em locais elevados.**

GUARDE ESTAS INSTRUÇÕES.



AVISO:

NÃO permita que conforto ou familiaridade com o produto (adquirido com o uso repetido) substitua a aderência estrita às regras de segurança da ferramenta. MÁ INTERPRETAÇÃO ou não seguimento das regras de segurança estabelecidas neste manual de instruções pode causar danos pessoais sérios.

ENC007-9

IMPORTANTES INSTRUÇÕES DE SEGURANÇA

PARA A BATERIA

1. **Antes de utilizar a bateria, leia todas as instruções e etiquetas de precaução no (1) carregador de bateria (2) bateria e (3) produto que utiliza a bateria.**
2. **Não abra a bateria.**
3. **Se o tempo de funcionamento se tornar excessivamente curto, pare o funcionamento imediatamente. Pode resultar em sobreaquecimento, possíveis queimaduras e mesmo explosão.**
4. **Se entrar electrólito nos seus olhos, lave-os com água e consulte imediatamente um médico. Pode resultar em perda de visão.**
5. **Não corte-circuite a bateria:**
 - (1) **Não toque nos terminais com qualquer material condutor.**
 - (2) **Evite guardar a bateria juntamente com outros objectos metálicos tais como pregos, moedas, etc.**
 - (3) **Não exponha a bateria à água ou chuva. Um curto-circuito pode ocasionar um enorme fluxo de corrente, sobreaquecimento, possíveis queimaduras e mesmo estragar-se.**
6. **Não guarde a ferramenta e a bateria em locais onde a temperatura pode atingir ou exceder 50°C.**
7. **Não queime a bateria mesmo que esteja estragada ou completamente gasta. A bateria pode explodir no fogo.**
8. **Tenha cuidado para não deixar cair ou dar pancadas na bateria.**
9. **Não utilize uma bateria danificada.**

10. Siga os seus regulamentos locais relativos à eliminação da bateria.

GUARDE ESTAS INSTRUÇÕES.

Conselhos para manter a máxima vida útil da bateria

1. Carregue a bateria antes que esteja completamente descarregada. Pare sempre o funcionamento da ferramenta e carregue a bateria quando notar menos poder na ferramenta.
2. Nunca carregue uma bateria completamente carregada. Carregamento excessivo diminui a vida útil da bateria.
3. Carregue a bateria à temperatura ambiente de 10°C – 40°C. Deixe que uma bateria quente arrefeça antes de a carregar.
4. Carregue o cartucho da bateria se não o utilizar durante um longo período de tempo (mais de seis meses).

DESCRIÇÃO FUNCIONAL

⚠ AVISO:

- **Certifique-se sempre de que a ferramenta está desligada e a bateria retirada antes de regular ou verificar qualquer função na ferramenta.** Se não desligar o interruptor e retirar o cartucho da bateria pode dar origem a ferimentos corporais graves decorrentes do arranque accidental.

Instalar ou retirar o cartucho da bateria (Fig. 1)

⚠ PRECAUÇÃO:

- Desligue sempre a ferramenta antes de instalar ou retirar o cartucho da bateria.
- **Segure firmemente na ferramenta e no cartucho da bateria quando instalar ou retirar o cartucho da bateria.** Se não segurar firmemente na ferramenta e no cartucho da bateria pode dar origem a que escorreguem das suas mãos e daí resultar danos para a ferramenta e para o cartucho da bateria e ferimentos corporais.

Para retirar o cartucho da bateria, deslize-o da ferramenta enquanto desliza o botão na parte da frente do cartucho.

Para instalar o cartucho da bateria, alinhe a lingueta no cartucho da bateria com o entalhe na caixa e deslize-o para o lugar. Insira-o por completo até bloquear no lugar com um pequeno estalido. Se conseguir ver o indicador vermelho no lado superior do botão, não está bloqueado completamente.

⚠ PRECAUÇÃO:

- Instale sempre o cartucho da bateria por completo até o indicador vermelho não ser visto. Se isso não acontecer, pode cair acidentalmente da ferramenta, causando-lhe ferimentos a si ou alguém perto de si.
- Não instale o cartucho da bateria fazendo força. Se o cartucho não deslizar facilmente, não está a ser inserido correctamente.

Sistema de protecção da bateria (bateria de ião de lítio com marcação de estrela) (Fig. 2)

As baterias de iões de lítio com uma marcação de estrela estão equipadas com um sistema de protecção. Este sistema corta automaticamente a corrente à ferramenta para aumentar a duração da bateria.

A ferramenta pára automaticamente durante a operação se a ferramenta e/ou a bateria estiverem sujeitas a uma das seguintes condições:

- **Sobrecarga:**
A ferramenta é operada de modo que a obriga a puxar uma corrente anormalmente elevada.
Nesta situação, deslize o interruptor deslizante na ferramenta para a posição "O (OFF)" e pare a aplicação que forçou a ferramenta a ficar sobrecarregada. Em seguida, volte a deslizar o interruptor deslizante na ferramenta para a posição "I (ON)" para reiniciar.
Se a ferramenta não iniciar, a bateria sobreaqueceu. Nesta situação, deixe a bateria arrefecer antes de voltar a deslizar o interruptor para a posição "I (ON)".
- **Tensão baixa da bateria:**
A capacidade restante da bateria é demasiada baixa e a ferramenta não funcionará. Nesta situação, retire e recarregue a bateria.
















Protecção contra sobreaquecimento

Quando a ferramenta está em sobrecarga e a temperatura atinge um determinado nível, a ferramenta pára automaticamente. Nesse caso, deixe a ferramenta arrefecer antes de a voltar a ligar.

Indicação a capacidade restante da bateria (Fig. 3)

(Apenas para cartuchos da bateria com "B" no final do número do modelo.)

Prima o botão de verificação no cartucho da bateria para indicar a capacidade restante da bateria. As luzes indicadoras acendem durante alguns segundos.

Luzes indicadoras			Capacidade restante
			
Acesa	Apagada	A piscar	
			75% a 100%
			50% a 75%
			25% a 50%
			0% a 25%
			Carregue a bateria.
			A bateria pode ter tido uma avaria.

015658

NOTA:

- Dependendo das condições de utilização e da temperatura ambiente, a indicação pode diferir ligeiramente da capacidade real.

Ação do interruptor (Fig. 4)**⚠ PRECAUÇÃO:**

- Antes de instalar o cartucho da bateria na ferramenta, verifique sempre se a ferramenta está desligada.

Para iniciar a ferramenta, deslize o interruptor deslizante para a posição "I (ON)".

Para parar a ferramenta, deslize o interruptor deslizante para a posição "O (OFF)".

Ajustar o ritmo de curso orbital (Fig. 5)

O ritmo de curso orbital é ajustável. Para mudar o ritmo de curso orbital, rode o mostrador entre 1 e 6. Quanto mais elevado o número, mais elevado é o ritmo de curso orbital. Programe o mostrador para o número adequado para a sua peça de trabalho.

NOTA:

- O mostrador não pode ser rodado directamente de 1 até 6 ou de 6 até 1. Forçar o mostrador pode danificar a ferramenta. Quando mudar a direcção do mostrador, rode-o sempre deslocando-o através de cada número intermédio.

Lâmpada de indicação (Fig. 6)

- Quando a capacidade de bateria restante ficar baixa, a lâmpada de indicação pisca.
- Quando a capacidade de bateria restante baixar muito mais, a ferramenta pára durante a operação e a lâmpada de indicação acende cerca de 10 segundos.

Nessa altura, retire o cartucho da bateria da ferramenta e carregue-a.

ASSEMBLAGEM**⚠ PRECAUÇÃO:**

- Certifique-se sempre de que a ferramenta está desligada e a bateria retirada antes de executar qualquer manutenção na ferramenta.

Instalar ou retirar a ferramenta de aplicação (acessório opcional) (Fig. 7, 8, 9 e 10)**⚠ AVISO:**

- Não instale a ferramenta de aplicação ao contrário. Ao instalar a ferramenta de aplicação ao contrário pode danificar a ferramenta e causar ferimentos corporais graves.
- Instale o acessório da ferramenta na direcção correcta de acordo com o seu trabalho. A ferramenta de aplicação pode ser instalada a cada ângulo de 30 graus.

⚠ PRECAUÇÃO:

- Tenha cuidado quando fechar a alavanca de bloqueio. A alavanca de bloqueio pode fechar de repente e prender os seus dedos.
- De vez em quando limpe a poeira e lubrifique a peça móvel da alavanca de bloqueio.
- Caso contrário, a poeira pode acumular na peça móvel da alavanca de bloqueio e impedir o seu movimento suave.
- Não arranque a ferramenta enquanto a alavanca está aberta. A ferramenta pode ficar danificada.

1. Abra completamente a alavanca de bloqueio. E retire o parafuso do suporte.

2. Coloque uma ferramenta de aplicação (acessório opcional) na flange da ferramenta de modo que as saliências da flange da ferramenta encaixem nos orifícios na ferramenta de aplicação.
3. Insira o parafuso do suporte até parar. E em seguida, volte a colocar a alavanca de bloqueio na posição original.

Quando usar ferramenta de aplicação de lixa, monte a ferramenta de aplicação no patim de lixagem para que corresponda à direcção do patim de lixagem.

O patim de lixagem tem um sistema de encaixe tipo gancho e aro que permite a instalação fácil e rápida de uma lixa.

Como as lixas têm orifícios para extracção de poeira, monte uma lixa para que os orifícios nela correspondam aos do patim de lixagem.

Para retirar uma lixa, levante a sua extremidade e descole-a.

Para retirar o parafuso do suporte, siga os procedimentos de instalação pela ordem inversa.

Quando usar ferramentas de aplicação com um tipo diferente de secção de instalação, use um adaptador correcto (acessório opcional).

OPERAÇÃO**⚠ AVISO:**

- Antes de iniciar a ferramenta e durante a operação, mantenha a sua mão e rosto afastados da ferramenta de aplicação.

⚠ PRECAUÇÃO:

- Não aplique carga excessiva à ferramenta que pode causar um bloqueamento do motor e parar a ferramenta.

Cortar, serrar e raspar (Fig. 11)**⚠ PRECAUÇÃO:**

- Não desloque a ferramenta fazendo força na direcção (ex. para qualquer lado) da aplicação de ferramenta sem bordo cortante. Pode danificar a ferramenta.

Coloque a ferramenta de aplicação na peça de trabalho. Em seguida, desloque a ferramenta para a frente para que o movimento da ferramenta de aplicação não abrande.

NOTA:

- Ao forçar ou usar pressão excessiva na ferramenta pode reduzir a eficácia.
- Antes da operação de corte, recomenda-se que programe o ritmo de curso orbital 4 – 6.
- Retire a poeira da serra puxando a ferramenta adequadamente. Aumenta a eficácia do trabalho.
- A serra circular é recomendada para cortar linhas rectas longas.

Lixar (Fig. 12)**⚠ PRECAUÇÃO:**

- Não reutilize uma lixa usada para lixagem de metal para lixar madeira.
- Não use uma lixa gasta ou lixa sem grão.

Aplique a lixa na peça de trabalho.

NOTA:

- Recomenda-se o uso de uma amostra de material para determinar um ritmo de curso orbital correcto para o seu trabalho.

- Use uma lixa com o mesmo grão até estar concluída a lixagem de toda a peça de trabalho. Substituir uma lixa por lixa com grão diferente pode não dar um bom acabamento.

Acessório de extracção de poeira (acessório opcional) (Fig. 13 e 14)

- Instale os bocais para poeira e acoplamento para poeira.
- Instale a cinta do bocal na ferramenta para que as suas saliências encaixem nos orifícios da ferramenta para a fixar.
- Coloque a arruela de feltro e a lixa no acoplamento para poeira e depois fixe-as com o parafuso de instalação da ferramenta de aplicação.

Quando desejar executar uma operação mais limpa, ligue um aspirador à ferramenta. Ligue um tubo do aspirador ao acessório de extracção de poeira (acessório opcional).

MANUTENÇÃO

⚠ PRECAUÇÃO:

- Certifique-se sempre de que a ferramenta esteja desligada e a bateria retirada antes de executar qualquer inspecção ou manutenção na ferramenta, excepto ao solucionar os problemas seguintes relacionados com a lâmpada.
- Nunca utilize gasolina, benzina, diluente, álcool ou produtos semelhantes. Pode ocorrer a descoloração, deformação ou rachaduras.

Para manter a SEGURANÇA e FIABILIDADE do produto, a reparação, inspecção e substituição da escova de carvão, bem como qualquer afinação ou manutenção devem sempre ser efectuadas num centro de assistência oficial Makita, utilizando sempre peças de substituição Makita.

ACESSÓRIOS OPCIONAIS

⚠ PRECAUÇÃO:

- Estes acessórios ou peças são recomendados para utilização com a ferramenta Makita especificada neste manual. A utilização de outros acessórios ou peças pode ser perigosa para as pessoas. Utilize apenas acessórios ou peças para os fins indicados.

Se precisar de ajuda para obter mais informações relativos a estes acessórios, entre em contacto com o centro de assistência Makita local.

- Lâmina de serra segmentada
- Lâmina circular de serra
- Lâmina de serra de corte penetrante
- Raspador (rígido)
- Raspador (flexível)
- Lâmina segmentada serrilhada
- Máquina de serragem de juntas
- Decapante HM
- Lâmina de serra segmentada HM
- Placa de lixagem HM
- Lâmina de serra segmentada diamante
- Patim de lixagem
- Adaptador
- Lixa abrasiva delta (vermelha / branca / preta)
- Velo delta (médio / grosseiro / sem grão)
- Feltro de polimento delta
- Chave hexagonal
- Acessório de extracção de poeira

- Bateria e carregador genuínos da Makita

NOTA:

- Alguns itens da lista podem estar incluídos na embalagem da ferramenta como acessórios padrão. Eles podem variar de país para país.

ENG905-1

Ruído

A característica do nível de ruído A determinado de acordo com EN60745:

Modo de funcionamento: lixagem

Modelo DTM41

Nível de pressão de som (L_{pA}): 76 dB (A)
Variabilidade (K): 3 dB (A)

O nível de ruído durante o trabalho pode exceder 80 dB (A).

Modelo DTM51

Nível de pressão de som (L_{pA}): 77 dB (A)
Variabilidade (K): 3 dB (A)

O nível de ruído durante o trabalho pode exceder 80 dB (A).

Modo de funcionamento: corte com lâmina de serra de corte penetrante

Modelo DTM41

Nível de pressão de som (L_{pA}): 80 dB (A)
Nível de potência sonora (L_{WA}): 91 dB (A)
Variabilidade (K): 3 dB (A)

Modelo DTM51

Nível de pressão de som (L_{pA}): 81 dB (A)
Nível de potência sonora (L_{WA}): 92 dB (A)
Variabilidade (K): 3 dB (A)

Modo de funcionamento: corte com lâmina de serra segmentada

Modelo DTM41

Nível de pressão de som (L_{pA}): 77 dB (A)
Variabilidade (K): 3 dB (A)

O nível de ruído durante o trabalho pode exceder 80 dB (A).

Modelo DTM51

Nível de pressão de som (L_{pA}): 76 dB (A)
Variabilidade (K): 3 dB (A)

O nível de ruído durante o trabalho pode exceder 80 dB (A).

Modo de funcionamento: raspagem

Modelo DTM41

Nível de pressão de som (L_{pA}): 78 dB (A)
Variabilidade (K): 3 dB (A)

O nível de ruído durante o trabalho pode exceder 80 dB (A).

Modelo DTM51

Nível de pressão de som (L_{pA}): 80 dB (A)
Nível de potência sonora (L_{WA}): 91 dB (A)
Variabilidade (K): 3 dB (A)

Utilize protectores para os ouvidos

Vibração

O valor total da vibração (soma vectorial tri-axial) determinado de acordo com EN60745:

Modelo DTM41

Modo de funcionamento: lixagem
Emissão de vibração (a_{H1}): 3,0 m/s²
Variabilidade (K): 1,5 m/s²

Modelo DTM51

Modo de funcionamento: lixagem
Emissão de vibração (a_{H1}): 3,0 m/s²
Variabilidade (K): 1,5 m/s²

Modelo DTM41

Modo de funcionamento: corte com lâmina de serra de corte penetrante
Emissão de vibração (a_{H1}): 7,0 m/s²
Variabilidade (K): 1,5 m/s²

Modelo DTM51

Modo de funcionamento: corte com lâmina de serra de corte penetrante
Emissão de vibração (a_{H1}): 7,0 m/s²
Variabilidade (K): 1,5 m/s²

Modelo DTM41

Modo de funcionamento: corte com lâmina de serra segmentada
Emissão de vibração (a_{H1}): 4,5 m/s²
Variabilidade (K): 1,5 m/s²

Modelo DTM51

Modo de funcionamento: corte com lâmina de serra segmentada
Emissão de vibração (a_{H1}): 4,5 m/s²
Variabilidade (K): 1,5 m/s²

Modelo DTM41

Modo de funcionamento: raspagem
Emissão de vibração (a_{H1}): 5,0 m/s²
Variabilidade (K): 1,5 m/s²

Modelo DTM51

Modo de funcionamento: raspagem
Emissão de vibração (a_{H1}): 5,5 m/s²
Variabilidade (K): 1,5 m/s²

ENG901-1

- O valor da emissão de vibração indicado foi medido de acordo com o método de teste padrão e pode ser utilizado para comparar duas ferramentas.
- O valor da emissão de vibração indicado pode também ser utilizado na avaliação preliminar da exposição.

⚠ AVISO:

- A emissão de vibração durante a utilização real da ferramenta eléctrica pode diferir do valor de emissão indicado, dependendo das formas como a ferramenta é utilizada.
- Certifique-se de identificar as medidas de segurança para protecção do operador que sejam baseadas em uma estimativa de exposição em condições reais de utilização (considerando todas as partes do ciclo de operação, tal como quando a ferramenta está desligada e quando está a funcionar em marcha lenta além do tempo de accionamento).

Só para países Europeus**Declaração de conformidade CE****A Makita declara que a(s) seguinte(s) máquina(s):**

Designação da ferramenta:
Multicortadora Oscilante a Bateria
Modelos n.º/Tipo: DTM41, DTM51

Em conformidade com as seguintes directivas europeias:

2006/42/CE

São documentadas de acordo com as seguintes normas ou documentos normalizados:

EN60745

O ficheiro técnico de acordo com a 2006/42/CE está disponível em:

Makita, Jan-Baptist Vinkstraat 2, 3070, Bélgica

18.7.2013



Yasushi Fukaya
Director

Makita, Jan-Baptist Vinkstraat 2, 3070, Bélgica

Illustrationsoversigt

1 Knap	9 Indikatorlampe	17 Støvtilbehør
2 Rød indikator	10 Holderbolt	18 Filtring
3 Akku	11 Låsearm	19 Pude
4 Stjernemærke	12 Huller i anvendelsesværktøj	20 Huller i værktøjet
5 Indikatorlamper	13 Fremspring på værktøjsflange	21 Fremspring på mundstykkeband
6 Kontrolknap	14 Adapter	
7 Skydeknap	15 Mundstykkeband	
8 Drejeskive	16 Støvmundstykke	

SPECIFIKATIONER

Model		DTM41		DTM51	
Svingning pr. minut		6 000 – 20 000 (min ⁻¹)			
Oscillationsvinkel, venstre/højre		1,6° (3,2° i alt)			
Standard-akku		BL1430/ BL1440/ BL1450	BL1415*/ BL1415N*	BL1830/ BL1840/ BL1840B/ BL1850/ BL1850B	BL1815*/ BL1815N*/ BL1820*/ BL1820B*
Længde i alt		340 mm	326 mm	340 mm	326 mm
Nettovægt	uden støvudtrækningstilbehør	2,1 kg	2,0 kg	2,2 kg	2,0 kg
	med støvudtrækningstilbehør	2,2 kg	2,1 kg	2,3 kg	2,1 kg
Mærkespænding		D.C. 14,4 V		D.C. 18 V	

- * BEMÆRK: Til uafbrudt anvendelse anbefales højkapacitets akkuen BL1430, BL1440, BL1450, BL1830, BL1840, BL1840B, BL1850 og BL1850B.
- På grund af vores kontinuerlige forskningsprogrammer og udvikling, kan hosstående specifikationer blive ændret uden varsel.
 - Specifikationer og akku kan variere fra land til land.
 - Vægt inklusive akku, i henhold til EPTA-Procedure 01/2003

ENE080-1

Tilsigtet anvendelse

Maskinen er beregnet til savning og skæring af træ, plastic, gips, ikke-jernholdigt metal og fastgøringselementer (d.v.s. uhardede søm og hæfteklammer). Den er også beregnet til arbejde på bløde fliser såvel som slibning og afskrabning af mindre flader. Den er specielt beregnet til at arbejde tæt på kanter og til lige skæring.

GEA010-1

Almindelige sikkerhedsregler for el-værktøj

⚠ ADVARSEL! Læs alle sikkerhedsadvarsler og alle sikkerhedsinstruktioner. Hvis nedenstående advarsler og instruktioner ikke overholdes, kan resultatet blive elektrisk stød, brand og/eller alvorlig personskade.

Gem alle advarsler og instruktioner til fremtidig reference.

SIKKERHEDSFORSKRIFTER FOR AKKU-MULTIMASKINE

1. Dette el-værktøj er beregnet til at foretage savning, skæring, slibning og pudning. Læs alle de sikkerhedsforskrifter, illustrationer og specifikationer, som følger med dette el-værktøj. Forsømmelse af at overholde alle de herunder angivne instruktioner, kan føre til elektrisk stød, brand og/eller alvorlig tilskadekomst.
2. Hold el-værktøjet i de isolerede grebflader, når der udføres et arbejde, hvor skæretilbehøret kan komme i kontakt med skjulte ledninger. Skæretilbehør, som kommer i kontakt med en "strømførende" ledning, kan gøre el-værktøjets ikke-isolerede metaldele "strømførende", hvilket kan give operatøren elektrisk stød.
3. Anvend klamper eller en anden praktisk måde til at fastgøre og understøtte arbejdsemnet til en stabil platform. Hvis De holder arbejdsemnet i hånden eller mod kroppen, blive det ustabil, og De kan miste herredømmet over det.
4. Anvend altid sikkerhedsbriller eller beskyttelsesbriller. Almindelige briller og solbriller er IKKE sikkerhedsbriller.
5. Undgå at skære i søm. Inspicér arbejdsemnet for søm og fjern dem, inden arbejdet påbegyndes.
6. Hold godt fast i maskinen.
7. Sørg for, at anvendelsesværktøjet ikke er i kontakt med arbejdsemnet, inden der tændes for det med afbryderen.
8. Hold hænderne væk fra bevægende dele.
9. Lad ikke maskinen køre i tomgang. Anvend kun maskinen håndholdt.

GEB09-2

10. Sluk altid for maskinen og vent til klingen er helt standset, inden klingens fjernes fra arbejdsemnet.
11. Rør ikke ved anvendelsesværktøjet eller arbejdsemnet umiddelbart efter brugen. Disse kan være meget varme og De kan brænde Dem.
12. Anvend ikke maskinen unødvendigt i ubelastet tilstand.
13. Anvend altid den korrekte støvmaske/respirator til det materiale og anvendelsesværktøj, De arbejder med.
14. Nogle materialer indeholder kemikalier, som kan være giftige. Vær påpasselig med at forhindre inhalering af støv og hudkontakt. Følg materialeleverandørens sikkerhedsdata.
15. Denne maskine er ikke vandfastbehandlet, så brug ikke vand på arbejdsemnets overflade.
16. Sørg for tilstrækkelig ventilation på arbejdsområdet, når slibning udføres.
17. Anvendelse af denne maskine til at slibe nogle produkter, maling og træ kan udsætte brugeren for støv, der indeholder farlige substanser. Anvend passende beskyttelse mod indånding.
18. Kontroller, at der ikke er revner eller brud på pudens inderside. Revner eller brud kan medføre tilskadekomst.
19. Anvend ikke tilbehør, som ikke er specielt designet og anbefalet af fabrikanten af maskinen. Bare fordi en tilbehørsdel kan monteres på Deres el-værktøj, betyder det ikke, at en sikker anvendelse er en selvfølge.
20. Brug personligt beskyttelsesudstyr. Brug afhængigt af anvendelsen, ansigtsskjold, beskyttelsesbriller eller sikkerhedsbriller. Brug passende høreværn, handsker og arbejdsforklæde, som er i stand til at stoppe mindre skarpe dele eller fragmenter fra arbejdsemnet. Øjenbeskyttelsen skal kunne stoppe flyvende dele, der frembringes af forskellige operationer. Støvmasken eller respiratoren skal kunne filtrere partikler, som frembringes under arbejdet. Længere tids udsættelse for højintensiv støj kan føre til høretab.
21. Hold omkringstående personer på sikker afstand af arbejdsområdet. Enhver person, der kommer ind i arbejdsområdet, skal bære personligt beskyttelsesudstyr. Fragmenter af arbejdsemnet eller fra en brækket tilbehørsdel kan slynges ud og være årsag til tilskadekomst uden for selve arbejdsområdet.
22. Læg aldrig maskinen fra Dem, før tilbehørsdelen er helt standset. Det roterende tilbehør kan gribe fat i overfladen og trække el-værktøjet ud af Deres herredømme.
23. Kør ikke el-værktøjet, mens De bærer det ved siden. Utsigtet kontakt med tilbehøret kan klemme det fast i tøj, hvorved det kan blive trukket ind mod kroppen.
24. Brug ikke el-værktøjet i nærheden af brændbare materialer. Gnister kan antænde disse materialer.
25. Brug ikke tilbehør, der kræver flydende kølemidler. Anvendelse af vand eller flydende kølemidler kan resultere i et dødeligt elektrisk stød eller stød.
26. Vær altid sikker på, at maskinen er afbrudt og taget ud af forbindelse eller at akkuen er fjernet, inden der udføres noget arbejde på maskinen.

27. Vær altid sikker på, at De har et godt fodfæste. Vær sikker på, at der ikke befinder sig nogen nedenunder, når maskinen anvendes i højden.

GEM DISSE FORSKRIFTER.

⚠ ADVARSEL:

LAD IKKE bekvemmelighed eller kendskab til produktet (opnået gennem gentagen brug) forhindre, at sikkerhedsforskrifterne for produktet nøje overholdes. MISBRUG eller forsømmelse af at følge de i denne brugsvejledning givne sikkerhedsforskrifter kan føre til, at De kommer alvorligt til skade.

ENC007-9

VIGTIGE SIKKERHEDSFORSKRIFTER

FOR AKKU

1. Læs alle instruktioner og advarselmærkater på (1) akku opladeren, (2) akku og (3) produktet, som anvender akku.
2. Lad være med at skille akkuen ad.
3. Hold straks op med at anvende opladeren, hvis brugstiden er blevet stærkt afkortet. Forsat anvendelse kan resultere i risiko for overophedning, forbrændinger og endog eksplosion.
4. Hvis du har fået elektrolytvæske i øjnene, skal du straks skylle den ud med rent vand og derefter øjeblikkeligt søge lægehjælp. I modsat fald kan resultatet blive, at du mister synet.
5. Vær påpasselig med ikke at komme til at kortslutte akkuen:
 - (1) Rør ikke ved terminalerne med noget ledende materiale.
 - (2) Undgå at opbevare akkuen i en beholder sammen med andre genstande af metal, som for eksempel søm, mønter og lignende.
 - (3) Udsæt ikke akkuen for vand eller regn. Kortslutning af akkuen kan være årsag til en kraftig øgning af strømmen, overophedning, mulige forbrændinger og endog maskinstop.
6. Opbevar ikke værktøj og akkuen på et sted, hvor temperaturen kan nå eller overstige 50°C.
7. Lad være med at brænde akkuen, selv ikke i tilfælde, hvor det har lidt alvorlig skade eller er fuldstændig udtjent. Akkuen kan eksplodere, hvis man forsøger at brænde den.
8. Lad være med at brænde akkuen eller udsætte det for stød.
9. Anvend ikke en beskadiget akku.
10. Følg de lokale regler angående bortskaffelse af akkuer.

GEM DISSE FORSKRIFTER.

Tips til opnåelse af maksimal akku-levetid

1. Oplad altid akkuen, inden den er helt afladet. Stop altid værktøj og oplad akkuen, hvis det bemærkes, at maskineffekten er dalende.
2. Genoplad aldrig en fuldt opladet akku. Overopladning vil afkorte akkuens levetid.
3. Oplad akkuen ved stuetemperatur ved 10°C – 40°C. Lad altid en varm akku få tid til at køle af, inden den oplades.
4. Oplad akkuen, hvis den ikke bruges i længere tid (mere end seks måneder).

FUNKTIONSBESKRIVELSE

⚠ ADVARSEL:

- Sørg altid for at maskinen er slukket, og at akkuen er taget ud, før der udføres justering eller kontrol af funktioner på maskinen. Forsømmelse af at slukke for maskinen og fjerne akkuen kan resultere i alvorlig tilskadekomst forårsaget af utilsigtet start.

Montering og afmontering af akkuen (Fig. 1)

⚠ FORSIGTIG:

- Sluk altid for maskinen, inden De installerer eller fjerner akkuen.
- Hold godt fast i maskinen og akkuen, når akkuen installeres eller fjernes. Forsømmelse af at holde godt fast i maskinen og akkuen, kan bevirke, at disse glider ud af hænderne på Dem, hvilket kan resultere i beskadigelse af maskinen og akkuen samt tilskadekomst.

For at fjerne akkuen, skal man skyde den fra maskinen, idet man skyder knappen på forsiden af akkuen i stilling. For at installere akkuen, skal man sætte tungen på akkuen ud for rillen i huset og skyde den på plads. Sæt den hele vejen ind, så den låses på plads med et lille klik. Hvis den røde indikator på oversiden af knappen er synlig, betyder det, at den ikke er helt låst.

⚠ FORSIGTIG:

- Sæt altid akkuen helt ind, så den røde indikator ikke kan ses. Hvis den ikke er sat helt ind, kan den ved et uheld falde ud af maskinen, hvorved omkringstående eller De selv kan komme til skade.
- Sæt ikke akkuen i med magt. Hvis akkuen ikke glider nemt på plads, betyder det, at den ikke sættes korrekt i.

Akkue-beskyttelsessystem (lithium-ion akku med stjernemærke) (Fig. 2)

Lithium-ion akkuer med stjernemærke er udstyret med et beskyttelsessystem. Dette system afbryder automatisk strømmen til maskinen, så akkuens levetid forlænges. Maskinen vil automatisk stoppe under anvendelsen, hvis maskinen og/eller akkuen er i en af de følgende tilstande:

- Overbelastet: Maskinen køres på en måde, der bevirker, at den forbruger en unormalt høj strøm. Skyd i denne situation skydeknappen mod stilling "O (OFF)" og stop den anvendelse, som bevirkede, at maskinen blev overbelastet. Skyd derefter skydeknappen mod stilling "I (ON)" igen for at starte igen. Hvis maskinen ikke starter, er det fordi akkuen er overbelastet. I denne situation skal man lade akkuen køle af, inden man skyder skydeknappen mod stilling "I (ON)" igen.
- Lav akku-spænding: Den tilbageværende akku-kapacitet er for lav og maskinen vil ikke køre. Fjern i dette tilfælde akkuen og oplad den.

Beskyttelse mod overophedning

Hvis maskinen er overbelastet og dens temperatur har nået et vist niveau, vil maskinen automatisk stoppe. I denne situation skal man lade maskinen køle af, inden man tænder for den igen.

Angivelse den tilbageværende akku-kapacitet (Fig. 3)

(Gælder kun akkuer med "B" i slutningen af modelnummeret.)

Tryk på kontrolknappen på akkuen for at angive den tilbageværende akku-kapacitet. Indikatorlamperne lyser i et par sekunder.

Indikatorlamper			Tilbageværende kapacitet
Tændt	Slukket	Blinker	
			75% til 100%
			50% til 75%
			25% til 50%
			0% til 25%
			Oplad akkuen.
			Akkuen kan have fungeret forkert.

015658

BEMÆRK:

- Afhængigt af brugsforholdene og den omgivende temperatur, kan indikeringen afvige en smule i forhold til den faktiske kapacitet.

Afbryderanvendelse (Fig. 4)

⚠ FORSIGTIG:

- Inden akkuen sættes i maskinen, skal det altid kontrolleres, at der er slukket for maskinen.

For at starte maskinen, skal man skyde skydeknappen mod stilling "I (ON)".

For at stoppe maskinen, skal man skyde skydeknappen mod stilling "O (OFF)".

Indstilling af omløbsslagintensiteten (Fig. 5)

Omløbsslagintensiteten er justerbar. For at ændre omløbsslagintensiteten, skal man dreje drejeskiven mellem 1 og 6. Jo højere tallet er, desto højere er omløbsslagintensiteten. Forindstil drejeskiven på det tal, der er egnet til arbejdsmønt.

BEMÆRK:

- Drejeskiven kan drejes direkte fra 1 til 6 eller fra 6 til 1. Drejning med magt kan beskadige maskinen. Når drejeskivens retning ændres, skal man altid dreje drejeskiven via hvert mellemstal.

Indikatorlampe (Fig. 6)

- Når den tilbageværende akku-kapacitet er blevet lav, blinker indikatorlampen.
- Når den tilbageværende akku-kapacitet er blevet meget lavere, stopper maskinen under anvendelsen og indikatorlampen lyser i ca. 10 sekunder.

Fjern på dette tidspunkt akkuen fra maskinen og oplad den.

SAMLING

⚠ FORSIGTIG:

- Sørg altid for at maskinen er slukket, og at akkuen er taget ud, før der udføres noget arbejde på maskinen.

Montering og aftagning af anvendelsesværktøjet (ekstraudstyr) (Fig. 7, 8, 9 og 10)

⚠ ADVARSEL:

- Monter ikke anvendelsesværktøjet omvendt. Montering af anvendelsesværktøjet omvendt kan beskadige maskinen og føre til alvorlig tilskadekomst.
- Monter tilbehørsværktøjet i den rigtige retning i overensstemmelse med arbejdet. Anvendelsesværktøjet kan monteres i en vinkel for hver 30 grader.

⚠ FORSIGTIG:

- Vær forsigtig, når De lukker låsearmen. Låsearmen kan lukke pludseligt og De kan få fingrene i klemme.
- Fjern støv og smør den bevægelige del af låsearmen fra tid til anden. Ellers kan støv akkumuleres den bevægelige del af låsearmen og hindre dens problemfri bevægelse.
- Start ikke maskinen, mens armen åbnes. Maskinen kan lide skade.

1. Åbn låsearmen helt. Og fjern holderbolten.
2. Anbring et anvendelsesværktøj (ekstraudstyr) på værktøjsflangen, så fremspringene på værktøjsflangen passer ind i hullerne på anvendelsesværktøjet.
3. Sæt holderbolten ind til den stopper. Sæt derefter låsearmen tilbage til dens udgangsstilling.

Når anvendelsesværktøjet til sandpapirslibning anvendes, skal man montere anvendelsesværktøjet på slibeputen, så det passer til slibeputens retning.

Slibeputen har et tilpasningssystem med en krog og en løkke, som muliggør nem og hurtig påsætning af sandpapir.

Da sandpapir har huller til støvudtrækning, skal man montere sandpapiret således, at dets huller passer til dem i slibeputen.

For at fjerne sandpapiret, skal man løfte dets ender og trække det af.

Holderbolten fjernes ved at man følger installationsproceduren i omvendt rækkefølge.

Når der anvendes applikationsværktøj med en anden type monteringsdel, skal en korrekt adapter anvendes (ekstraudstyr).

BETJENING

⚠ ADVARSEL:

- Inden maskinen startes og under brugen, skal De holde hænder og ansigt væk fra anvendelsesværktøjet.

⚠ FORSIGTIG:

- Udøv ikke for kraftigt tryk på maskinen, da det kan bevirke, at motoren låses og maskinen stopper.

Skæring, savning og afskrabning (Fig. 11)

⚠ FORSIGTIG:

- Bevæg ikke maskinen med magt i retningen af (d.v.s. mod hver side) af maskinanvendelsen uden nogen skærekant. Dette kan beskadige maskinen.

Anbring anvendelsesværktøjet på arbejdsemnet.

Bevæg derefter maskinen fremad, så anvendelsesværktøjets bevægelse ikke bliver langsommere.

BEMÆRK:

- Tvang eller ekstremt tryk på maskinen kan føre til nedsat effektivitet.
- Det anbefales, inden der skæres, at forindstille omløbslagintensiteten 4 – 6.
- Fjern savsmuld ved at trække maskinen tilstrækkeligt. Dette øger arbejds effektiviteten.
- Rundsaven anbefales til skæring i en lang, lige linie.

Slibning (Fig. 12)

⚠ FORSIGTIG:

- Genbrug ikke sandpapir, der har været anvendt til slibning af metal, til slibning af træ.
- Brug ikke slidt sandpapir eller sandpapir uden slibekorn.

Sæt et stykke sandpapir på arbejdsemnet.

BEMÆRK:

- Det anbefales at anvende en testmaterialeprøve til at bestemme en korrekt omløbslagintensitet, der er egnet til Deres arbejde.
- Brug sandpapir med samme slibekorn, indtil slibning af hele arbejdsemnet er fuldført. Hvis et stykke sandpapir erstattes af et stykke sandpapir med en anden type slibekorn, er det ikke sikkert, at en fin finish kan opnås.

Støvudtrækningstilbehør (ekstraudstyr) (Fig. 13 og 14)

- Monter støvmundstykker og støvtilbehør.
- Monter støvmundstykkebåndet på maskinen, så dets fremspring passer ind i hullerne i maskinen, for at fastgøre det.
- Anbring filtringen og slibeputen på støvtilbehøret og fastgør dem derefter med installationsbolten til anvendelsesværktøjet.

Hvis De ønsker en renere udførelse, skal De slutte en støvsuger til maskinen. Slut støvsugerslangen til støvudtrækningstilbehøret (ekstraudstyr).

VEDLIGEHOLEDSE

⚠ FORSIGTIG:

- Sørg altid for, at maskinen er slukket, og akkuen er taget ud, før De forsøger at udføre eftersyn eller vedligeholdelse, med undtagelse af fejlfinding relateret til lyset.
- Anvend aldrig benzin, rensebenzin, fortynder, alkohol og lignende. Resultatet kan blive misfarvning, deformation eller revner.

For at opretholde produktets SIKKERHED og PÅLIDELIGHED, må istandsættelse, eftersyn af kulbørster og udskiftning af dele samt alle andre vedligeholdelsesarbejder og justeringer kun udføres af et autoriseret Makita Servicecenter, og der må kun anvendes udskiftningsdele fra Makita.

EKSTRAUDSTYR

⚠ FORSIGTIG:

- Det følgende tilbehør og ekstraudstyr er anbefalet til brug med Deres Makita maskine, der er beskrevet i denne brugsanvisning. Anvendelse af andet tilbehør eller ekstraudstyr kan udgøre en risiko for personskade. Anvend kun tilbehør og ekstraudstyr til det beskrevne formål.

Hvis De har behov for yderligere detaljer om dette tilbehør, bedes De kontakte Deres lokale Makita Service Center.

- Segment-savklinge
- Rund savklinge
- Indstikssavklinge
- Skraber (stiv)
- Skraber (fleksibel)
- Takket segmentklinge
- Almindelig sammenføjningsskærer
- HM fjerner
- HM segmentsavklinge
- HM slibeplade
- Diamantsegmantsavklinge
- Slibepude
- Adapter
- Slibepapirdelta (rød / hvid / sort)
- Fleece-delta (medium / grov / uden slibekorn)
- Polerfiltdelta
- Sekskantnøgle
- Støvdutrækningstilbehør
- Original Makita-akku og oplader

BEMÆRK:

- Nogle ting på denne liste kan være inkluderet i værktøjspakken som standardtilbehør. Det kan være forskellige fra land til land.

ENG905-1

Lyd

Det typiske A-vægtede støjniveau bestemt i overensstemmelse med EN60745:

Arbejdsindstilling: slibning

Model DTM41

Lydtryksniveau (L_{pA}): 76 dB (A)
Usikkerhed (K): 3 dB (A)

Støjniveauet under arbejde kan overstige 80 dB (A).

Model DTM51

Lydtryksniveau (L_{pA}): 77 dB (A)
Usikkerhed (K): 3 dB (A)

Støjniveauet under arbejde kan overstige 80 dB (A).

Arbejdsindstilling: skæring med indstikssavklinge

Model DTM41

Lydtryksniveau (L_{pA}): 80 dB (A)
Lydeffektniveau (L_{WA}): 91 dB (A)
Usikkerhed (K): 3 dB (A)

Model DTM51

Lydtryksniveau (L_{pA}): 81 dB (A)
Lydeffektniveau (L_{WA}): 92 dB (A)
Usikkerhed (K): 3 dB (A)

Arbejdsindstilling: skæring med segment-savklinge

Model DTM41

Lydtryksniveau (L_{pA}): 77 dB (A)
Usikkerhed (K): 3 dB (A)

Støjniveauet under arbejde kan overstige 80 dB (A).

Model DTM51

Lydtryksniveau (L_{pA}): 76 dB (A)
Usikkerhed (K): 3 dB (A)

Støjniveauet under arbejde kan overstige 80 dB (A).

Arbejdsindstilling: afskrabning

Model DTM41

Lydtryksniveau (L_{pA}): 78 dB (A)
Usikkerhed (K): 3 dB (A)

Støjniveauet under arbejde kan overstige 80 dB (A).

Model DTM51

Lydtryksniveau (L_{pA}): 80 dB (A)
Lydeffektniveau (L_{WA}): 91 dB (A)
Usikkerhed (K): 3 dB (A)

Bær høreværn

ENG900-1

Vibration

Vibrations totalværdi (tre-aksial vektorsum) bestemt i overensstemmelse med EN60745:

Model DTM41

Arbejdsindstilling: slibning
Vibrationsafgivelse (a_{h1}): 3,0 m/s²
Usikkerhed (K): 1,5 m/s²

Model DTM51

Arbejdsindstilling: slibning
Vibrationsafgivelse (a_{h1}): 3,0 m/s²
Usikkerhed (K): 1,5 m/s²

Model DTM41

Arbejdsindstilling: skæring med indstikssavklinge
Vibrationsafgivelse (a_{h1}): 7,0 m/s²
Usikkerhed (K): 1,5 m/s²

Model DTM51

Arbejdsindstilling: skæring med indstikssavklinge
Vibrationsafgivelse (a_{h1}): 7,0 m/s²
Usikkerhed (K): 1,5 m/s²

Model DTM41

Arbejdsindstilling: skæring med segment-savklinge
Vibrationsafgivelse (a_{h1}): 4,5 m/s²
Usikkerhed (K): 1,5 m/s²

Model DTM51

Arbejdsindstilling: skæring med segment-savklinge
Vibrationsafgivelse (a_{h1}): 4,5 m/s²
Usikkerhed (K): 1,5 m/s²

Model DTM41

Arbejdsindstilling: afskrabning
Vibrationsafgivelse (a_{h1}): 5,0 m/s²
Usikkerhed (K): 1,5 m/s²

Model DTM51

Arbejdsindstilling: afskrabning
Vibrationsafgivelse (a_{h1}): 5,5 m/s²
Usikkerhed (K): 1,5 m/s²

ENG901-1

- Den angivne vibrationsemissionsværdi er blevet målt i overensstemmelse med standardtestmetoden og kan anvendes til at sammenligne et værktøj med et andet.
- Den angivne vibrationsemissionsværdi kan også anvendes i en præliminær eksponeringsvurdering.

⚠ ADVARSEL:

- Vibrationsemissionen under den faktiske anvendelse af værktøjet kan være forskellig fra den erklærede emissionsværdi, afhængigt af den måde, hvorpå værktøjet anvendes.
- Sørg for at identificere de sikkerhedsforskrifter til beskyttelse af operatøren, som er baseret på en vurdering af eksponering under de faktiske brugsforhold (med hensyntagen til alle dele i brugscyklen, som f.eks. de gange, hvor værktøjet er slukket og når den kører i tomgang i tilgift til afbrydertiden).

Kun for lande i Europa

EU-konformitetserklæring

Makita erklærer, at den følgende maskine (maskiner):

Maskinens betegnelse:

Akku-multimaskine

Model nr./ Type: DTM41, DTM51

Er i overensstemmelse med de europæiske direktiver:

2006/42/EU

De er fremstillet i overensstemmelse med den følgende standard eller standardiserede dokumenter:

EN60745

Den tekniske fil, som er i overensstemmelse med 2006/42/EU, er tilgængelig fra:

Makita, Jan-Baptist Vinkstraat 2, 3070, Belgien

18.7.2013



Yasushi Fukaya

Direktør

Makita, Jan-Baptist Vinkstraat 2, 3070, Belgien

Περιγραφή γενικής άποψης

1 Κουμπί	9 Ενδεικτική λυχνία	16 Ακροφύσιο σκόνης
2 Κόκκινη ένδειξη	10 Μπουλόνι υποδοχέα	17 Προσάρτημα σκόνης
3 Κασέτα μπαταρίας	11 Μοχλός κλειδώματος	18 Δακτύλιος τσάχας
4 Ένδειξη αστεριού	12 Οπές στο εργαλείο εφαρμογής	19 Βάση
5 Ενδεικτικές λυχνίες	13 Προεξοχές στη φλάντζα εργαλείου	20 Οπές στο εργαλείο
6 Κουμπί ελέγχου	14 Προσαρμογέας	21 Προεξοχές στη ζώνη ακροφυσίου
7 Κυλιόμενος διακόπτης	15 Ζώνη ακροφυσίου	
8 Καντράν		

ΤΕΧΝΙΚΑ ΧΑΡΑΚΤΗΡΙΣΤΙΚΑ

Μοντέλο		DTM41		DTM51	
Ταλάντωση ανά λεπτό		6.000 – 20.000 (λεπ ⁻¹)			
Γωνία ταλάντωσης, αριστερά/δεξιά		1,6° (3,2° συνολική)			
Στάνταρ κασέτα μπαταρίας		BL1430/ BL1440/ BL1450	BL1415*/ BL1415N*	BL1830/ BL1840/ BL1840B/ BL1850/ BL1850B	BL1815*/ BL1815N*/ BL1820*/ BL1820B*
Συνολικό μήκος		340 χιλ	326 χιλ	340 χιλ	326 χιλ
Καθαρό βάρος	χωρίς εξάρτημα εξαγωγής σκόνης	2,1 Χγρ	2,0 Χγρ	2,2 Χγρ	2,0 Χγρ
	με εξάρτημα εξαγωγής σκόνης	2,2 Χγρ	2,1 Χγρ	2,3 Χγρ	2,1 Χγρ
Ονομαστική τάση		D.C. 14,4 V		D.C. 18 V	

* ΠΑΡΑΤΗΡΗΣΗ: Για συνεχόμενη λειτουργία, συνιστώνται οι κασέτες μπαταρίας υψηλής χωρητικότητας BL1430, BL1440, BL1450, BL1830, BL1840, BL1840B, BL1850 και BL1850B.

GEB094-2

- Λόγω του συνεχιζόμενου προγράμματος έρευνας και ανάπτυξης, οι παρούσες προδιαγραφές υπόκεινται σε αλλαγή χωρίς προειδοποίηση.
- Τα τεχνικά χαρακτηριστικά και η κασέτα μπαταρίας μπορεί να διαφέρουν από χώρα σε χώρα.
- Βάρος, με κασέτα μπαταρίας, σύμφωνα με τη διαδικασία EPTA 01/2003

ENE080-1

Προοριζόμενη χρήση

Το εργαλείο προορίζεται για το πρίονισμα και την κοπή ξύλου, πλαστικού, γύψου, μη σιδηρούχων μετάλλων και συνδέσμων (π.χ. μη σκληρωμένα καρφιά και συρραπτικά). Επίσης προορίζεται για την ετεξεργασία μαλακών π्लाκακιών τοίχου, καθώς και την ζήρη λείανση και ξύσιμο μικρών επιφανειών. Προορίζεται ειδικά για την εργασία κοντά σε κοπές άκρων και ευθυγραμμισμένες κοπές.

GEA010-1

Γενικές προειδοποιήσεις ασφαλείας για το ηλεκτρικό εργαλείο

⚠️ ΠΡΟΕΙΔΟΠΟΙΗΣΗ Διαβάστε όλες τις προειδοποιήσεις ασφαλείας και όλες τις οδηγίες. Η μη τήρηση των προειδοποιήσεων και οδηγιών ενδέχεται να καταλήξει σε ηλεκτροπληξία, πυρκαγιά ή/και σοβαρό τραυματισμό.

Φυλάξτε όλες τις προειδοποιήσεις και τις οδηγίες για μελλοντική παραπομπή.

ΠΡΟΕΙΔΟΠΟΙΗΣΕΙΣ ΓΙΑ ΤΗΝ ΑΣΦΑΛΕΙΑ ΓΙΑ ΤΟ ΦΟΡΗΤΟ ΠΟΛΥΕΡΓΑΛΕΙΟ

1. Αυτό το ηλεκτρικό εργαλείο προορίζεται για πρίονισμα, κοπή, τρόχισμα και λείανση. Διαβάστε όλες τις προειδοποιήσεις ασφαλείας, οδηγίες, απεικονίσεις και προδιαγραφές που συνοδεύουν το παρόν ηλεκτρικό εργαλείο. Η μη τήρηση όλων των οδηγιών που αναγράφονται κατωτέρω ενδέχεται να καταλήξει σε ηλεκτροπληξία, πυρκαγιά ή/και σοβαρό τραυματισμό.
2. Να κρατάτε το ηλεκτρικό εργαλείο από τις μονωμένες επιφάνειες λαβής όταν εκτελείτε εργασίες κατά τις οποίες το εξάρτημα κοπής μπορεί να έρθει σε επαφή με κρυμμένα καλώδια. Σε περίπτωση επαφής του εξαρτήματος κοπής με ηλεκτροφόρο καλώδιο, μπορεί τα εκτεθειμένα μεταλλικά εξάρτημα του ηλεκτρικού εργαλείου να καταστούν τα ίδια ηλεκτροφόρα και να προκαλέσουν ηλεκτροπληξία στο χειριστή.
3. Να χρησιμοποιείτε σφικτήρες ή κάποιο άλλο πρακτικό μέσο για να ασφαλίσετε και να στηρίξετε το τεμάχιο εργασίας σε μια σταθερή πλατφόρμα. Αν κρατάτε το τεμάχιο εργασίας με το χέρι σας ή επάνω στο σώμα σας, θα είναι ασταθές και μπορεί να χάσετε τον έλεγχο.
4. Να χρησιμοποιείτε πάντοτε γυαλιά ασφαλείας ή προστατευτικά ματιών. Τα συνηθισμένα γυαλιά και τα γυαλιά ηλίου ΔΕΝ αποτελούν γυαλιά ασφαλείας.

5. Να αποφεύγετε την κοπή καρφιών. Να ελέγχετε το τεμάχιο εργασίας για τυχόν καρφιά και να τα αφαιρείτε πριν από τη λειτουργία.
6. Κρατήστε το εργαλείο σταθερά.
7. Να βεβαιώνετε ότι το εργαλείο εφαρμογής δεν ακουμπάει το τεμάχιο εργασίας πριν ενεργοποιείτε το διακόπτη λειτουργίας.
8. Μην πλησιάζετε τα χέρια σας σε κινούμενα μέρη.
9. Μην αφήνετε το εργαλείο σε λειτουργία. Το εργαλείο πρέπει να βρίσκεται σε λειτουργία μόνο όταν το κρατάτε.
10. Πάντοτε να σβήνετε το εργαλείο και να περιμένετε να σταματήσει να κινείται εντελώς ή λάμα πριν τη βγάξετε από το τεμάχιο εργασίας.
11. Μην αγγίζετε το εργαλείο εφαρμογής ή το τεμάχιο εργασίας αμέσως μετά τη λειτουργία του εργαλείου. Μπορεί να είναι εξαιρετικά θερμά και να προκληθεί έγκαυμα στο δέρμα σας.
12. Μη θέτετε το εργαλείο σε λειτουργία χωρίς φόρτο, αν αυτό δεν είναι απαραίτητο.
13. Να χρησιμοποιείτε πάντοτε προσωπίδα κατά της σκόνης ή αναπνευστήρα που είναι κατάλληλος για το υλικό και την εφαρμογή σας.
14. Μερικά υλικά περιέχουν χημικά που μπορεί να είναι τοξικά. Προσέχετε ώστε να αποφεύγετε την εισπνοή σκόνης και την επαφή με το δέρμα. Ακολουθείτε τα δεδομένα ασφάλειας υλικού που παρέχονται από τον προμηθευτή.
15. Το εργαλείο αυτό δεν είναι αδιάβροχο, γι' αυτό μη χρησιμοποιείτε νερό στην επιφάνεια του τεμαχίου εργασίας.
16. Να αερίζετε το χώρο εργασίας επαρκώς όταν εκτελείτε εργασίες λείανσης.
17. Η χρήση του εργαλείου αυτού για τη λείανση ορισμένων προϊόντων, βαφών και ξύλων μπορεί να εκθέσει το χρήστη σε σκόνη που περιέχει επικίνδυνες ουσίες. Να χρησιμοποιείτε κατάλληλη αναπνευστική προστασία.
18. Πριν από τη χρήση, να βεβαιώνετε ότι δεν υπάρχουν ρωγμές ή σπασίματα στη βάση. Οι ρωγμές ή τα σπασίματα μπορεί να προκαλέσουν σοβαρό προσωπικό τραυματισμό.
19. Μη χρησιμοποιείτε εξαρτήματα που δεν έχουν σχεδιαστεί ειδικά για το εργαλείο και που δεν συνιστώνται ειδικά από τον κατασκευαστή του εργαλείου. Η χρήση ενός εξαρτήματος απλά και μόνο επειδή δύναται να προσαρμοστεί στο ηλεκτρικό εργαλείο, δεν διασφαλίζει την ασφαλή λειτουργία του.
20. Να φοράτε ατομικό εξοπλισμό προστασίας. Ανάλογα με την εφαρμογή, να χρησιμοποιείτε προσωπίδα προστασίας, προστατευτικά γυαλιά-προσωπίδες ή γυαλιά ασφάλειας. Όταν απαιτείται, να φοράτε προστατευτικά ακοής, γάντια και παδιά συνεργείου ικανά να παρέχουν προστασία από τα εκτινασόμενα μικρά θραύσματα του λειαντικού μέσου ή του τεμαχίου εργασίας. Τα προστατευτικά ματιών πρέπει να είναι ικανά να σταματήσουν τυχόν εκτινασόμενα θραύσματα που δημιουργούνται κατά την εκτέλεση διαφόρων εργασιών. Η μάσκα σκόνης ή η αναπνευστική συσκευή πρέπει να είναι ικανές να φιλτράρουν τα σωματίδια που δημιουργούνται κατά την εκτέλεση των εργασιών σας. Η παρατεταμένη έκθεση σε θόρυβο υψηλής έντασης ενδέχεται να προκαλέσει απώλεια ακοής.
21. Φροντίστε ώστε οι παρευρισκόμενοι να βρίσκονται σε ασφαλή απόσταση από τη θέση εργασίας. Οποιοσδήποτε εισέρχεται στο χώρο εργασίας πρέπει να φορά εξοπλισμό ατομικής προστασίας. Θραύσματα του τεμαχίου εργασίας ή ενός εξαρτήματος που έχει υποστεί θραύση ενδέχεται να εκτιναχθούν και να προκαλέσουν τραυματισμό πέραν των ορίων του άμεσου χώρου εκτέλεσης εργασιών.
22. Μην αφήνετε το ηλεκτρικό καλώδιο κάτω, πριν σταματήσει πλήρως η περιστροφή του εξαρτήματος. Το περιστρεφόμενο εξάρτημα ενδέχεται να εμπλακεί στην επιφάνεια εργασίας και να τραβήξει το ηλεκτρικό εργαλείο εκτός ελέγχου.
23. Μην θέσετε το ηλεκτρικό εργαλείο σε λειτουργία, κατά τη μεταφορά του στο πλάι σας. Τυχαία επαφή με το εξάρτημα θα μπορούσε να προκαλέσει την εμπλοκή του στο ρουχισμό και επαφή με το σώμα σας.
24. Μην χειρίζεστε το ηλεκτρικό εργαλείο κοντά σε εύφλεκτα υλικά. Οι σπινθήρες ενδέχεται να προκαλέσουν ανάφλεξη αυτών των υλικών.
25. Μην χρησιμοποιείτε εξαρτήματα που απαιτούν υγρά ψυκτικά. Η χρήση νερού ή άλλων υγρών ψυκτικών ενδέχεται να καταλήξει σε ηλεκτροπληξία ή σοκ.
26. Να φροντίζετε πάντα για την απενεργοποίηση και αποσύνδεση του εργαλείου και την αφαίρεση της κασέτας μπαταρίας πριν από την εκτέλεση οποιασδήποτε εργασίας στο εργαλείο.
27. Να βεβαιώνετε πάντοτε ότι στέκεστε σταθερά. Όταν χρησιμοποιείτε το εργαλείο σε υψηλές τοποθεσίες, να βεβαιώνετε ότι δεν βρίσκεται κανένας από κάτω.

ΦΥΛΑΞΤΕ ΤΙΣ ΟΔΗΓΙΕΣ ΑΥΤΕΣ.

ΠΡΕΙΔΟΠΟΙΗΣΗ:

ΜΗΝ επιτρέψετε το βαθμό άνεσης ή εξοικείωσης με το προϊόν (λόγω επανειλημμένης χρήσης) να αντικαταστήσει την αυστηρή τήρηση των κανόνων ασφαλείας του παρόντος εργαλείου. ΚΑΚΗ ΧΡΗΣΗ ή αμέλεια να ακολουθήσετε τους κανόνες ασφαλείας που διατυπώνονται σ'αυτό το εγχειρίδιο οδηγιών μπορεί να προκαλέσει σοβαρό προσωπικό τραυματισμό.

ENC007-9

ΣΗΜΑΝΤΙΚΕΣ ΟΔΗΓΙΕΣ ΑΣΦΑΛΕΙΑΣ

ΓΙΑ ΚΑΣΕΤΑ ΜΠΑΤΑΡΙΑΣ

1. Πριν χρησιμοποιήσετε την κασέτα μπαταρίας, διαβάστε όλες τις οδηγίες και σημειώσεις προφύλαξης (1) στον φορτιστή μπαταρίας, (2) στην μπαταρία και (3) στο προϊόν που χρησιμοποιεί την μπαταρία.
2. Μην αποσυαρμολογήσετε την κασέτα μπαταρίας.
3. Εάν ο χρόνος λειτουργίας έχει γίνει υπερβολικά βραχύς, σταματήστε την λειτουργία αμέσως. Αλλιώς, μπορεί να έχει ως αποτέλεσμα κίνδυνο υπερθέρμανσης, πιθανά εγκαύματα ή ακόμη και έκρηξη.
4. Εάν ηλεκτρολύτης μπει στα μάτια σας, ξεπλύνετε τα με καθαρό νερό και ζητήστε ιατρική φροντίδα αμέσως. Αλλιώς, μπορεί να έχει ως αποτέλεσμα απώλεια της όρασης σας.

5. Μην βραχυκυκλώνετε την κασέτα μπαταρίας:
 - (1) Μην αγγίζετε τους πόλους με οτιδήποτε αγώγιμο υλικό.
 - (2) Αποφεύγετε να αποθηκεύετε την κασέτα μπαταρίας μέσα σε ένα δοχείο μαζί με άλλα μεταλλικά αντικείμενα όπως καρφιά, νομίσματα, κλπ.
 - (3) Μην εκθέτε την κασέτα μπαταρίας στο νερό ή στη βροχή.
Ενα βραχυκύκλωμα μπαταρίας μπορεί να προκαλέσει μεγάλη ροή ρεύματος, υπερθέρμανση, πιθανά εγκαύματα ακόμη και σοβαρή βλάβη.
6. Μην αποθηκεύετε το εργαλείο και την κασέτα μπαταρίας σε τοποθεσίες όπου η θερμοκρασία μπορεί να φτάσει ή να ξεπεράσει τους 50°C.
7. Μην καίτε την κασέτα μπαταρίας ακόμη και εάν έχει σοβαρή ζημιά ή είναι εντελώς φθαρμένη. Η κασέτα μπαταρίας μπορεί να εκραγεί στην φωτιά.
8. Προσέχετε να μη ρίξετε κάτω ή χτυπήσετε την μπαταρία.
9. Μην χρησιμοποιείτε μπαταρία που έχει υποστεί ζημιά.
10. Τηρήστε τους τοπικούς κανονισμούς που σχετίζονται με τη διάθεση της μπαταρίας.

ΦΥΛΑΞΤΕ ΤΙΣ ΟΔΗΓΙΕΣ ΑΥΤΕΣ.

Συμβουλές για διατήρηση μέγιστης ζωής μπαταρίας

1. Φορτίζετε την κασέτα μπαταρίας πριν από την πλήρη αποφόρτιση της.
Πάντοτε σταματάτε την λειτουργία του εργαλείου και φορτίζετε την κασέτα μπαταρίας όταν παρατηρήτε μειωμένη ισχύ εργαλείου.
2. Ποτέ μην επαναφορτίζετε μία πλήρως φορτισμένη κασέτα μπαταρίας. Υπερφόρτιση μειώνει την ωφέλιμη ζωή της μπαταρίας.
3. Φορτίζετε την κασέτα μπαταρίας σε θερμοκρασία δωματίου 10°C – 40°C. Αφήστε μία θερμή κασέτα μπαταρίας να κρυώσει πριν την φορτίσετε.
4. Φορτίστε την κασέτα μπαταρίας όταν δεν τη χρησιμοποιείτε για μεγάλο χρονικό διάστημα (περισσότερο από έξι μήνες).

ΠΕΡΙΓΡΑΦΗ ΛΕΙΤΟΥΡΓΙΑΣ

⚠️ ΠΡΟΕΙΔΟΠΟΙΗΣΗ:

- Πάντοτε βεβαιώνετε ότι το εργαλείο είναι σβηστό και η κασέτα μπαταρίας έχει αφαιρεθεί πριν ρυθμίσετε ή ελέγξετε κάποια λειτουργία στο εργαλείο. Αν δεν σβήσετε το μηχανήμα και δεν βγάλετε την κασέτα μπαταρίας, μπορεί να προκληθεί σοβαρός προσωπικός τραυματισμός από την τυχαία εκκίνηση.

Τοποθέτηση ή αφαίρεση της κασέτας μπαταρίας (Εικ. 1)

⚠️ ΠΡΟΣΟΧΗ:

- Πάντοτε να σβήνετε το εργαλείο πριν τοποθετήσετε ή αφαιρέσετε την κασέτα μπαταρίας.

- Κρατήστε το εργαλείο και την κασέτα μπαταρίας σταθερά κατά την τοποθέτηση ή αφαίρεση της κασέτας μπαταρίας. Αν δεν κρατάτε το εργαλείο και την κασέτα μπαταρίας σταθερά, μπορεί γλιστρήσουν από τα χέρια σας και να προκληθεί βλάβη στο εργαλείο και την κασέτα μπαταρίας και προσωπικός τραυματισμός.

Για να αφαιρέσετε την κασέτα μπαταρίας, ολισθήστε την από το εργαλείο ενώ σύρετε το κουμπί στο μπροστινό μέρος της κασέτας.

Για να τοποθετήσετε την κασέτα μπαταρίας, ευθυγραμμίστε τη γλώσσα στην κασέτα μπαταρίας με την αύλακα στην υποδοχή και ολισθήστε τη στη θέση της. Να την τοποθετείτε πλήρως μέχρι να ασφαλίσει στη θέση της, γεγονός που υποδεικνύεται με ένα χαρακτηριστικό ήχο. Αν μπορείτε να δείτε την κόκκινη ένδειξη στην επάνω πλευρά του κουμπιού, δεν έχει κλειδώσει τελείως.

⚠️ ΠΡΟΣΟΧΗ:

- Να τοποθετείτε πάντα την κασέτα μπαταρίας πλήρως μέχρι να μην βλέπτε την κόκκινη ένδειξη. Σε αντίθετη περίπτωση, μπορεί να πέσει κατά λάθος από το εργαλείο και να τραυματίσει εσάς ή κάποιον παρευρισκόμενο.
- Μην τοποθετείτε την κασέτα μπαταρίας με βία. Αν η κασέτα δεν εισέρχεται με ευκολία, δεν είναι τοποθετημένη σωστά.

Σύστημα προστασίας μπαταρίας (μπαταρία ιόντων λιθίου με ένδειξη αστεριού) (Εικ. 2)

Οι μπαταρίες ιόντων λιθίου με ένδειξη αστεριού είναι εξοπλισμένες με σύστημα προστασίας. Αυτό το σύστημα αποκόπτει αυτόματα την ισχύ προς το εργαλείο για να παραταθεί η διάρκεια λειτουργίας της.

Το εργαλείο σταματάει αυτόματα κατά τη διάρκεια της λειτουργίας αν το εργαλείο ή/και η μπαταρία βρεθούν κάτω από τις παρακάτω συνθήκες:

- Υπερφόρτωση:

Το εργαλείο λειτουργεί με τρόπο ώστε να αναγκάζεται να καταναλώνει ασυνήθιστα υψηλό ρεύμα.

Σε αυτή την κατάσταση, σύρετε τον κυλιόμενο διακόπτη στο εργαλείο προς τη θέση "Ο (ANENERGO)" και διακόψτε την εφαρμογή που προκαλεί την υπερφόρτωση του εργαλείου. Μετά, σύρετε τον κυλιόμενο διακόπτη προς τη θέση "Ι (ENERGO)" για επανεκκίνηση.

Αν το εργαλείο δεν ξεκινάει, η μπαταρία έχει υπερθερμανθεί. Σε αυτή την κατάσταση, αφήστε την μπαταρία να ψυχθεί πριν σύρετε τον κυλιόμενο διακόπτη ξανά προς τη θέση "Ι (ENERGO)".

- Χαμηλή τάση μπαταρίας:

Η υπολόγιση χωρητικότητας μπαταρίας είναι πολύ χαμηλή και το εργαλείο δεν λειτουργεί. Σε αυτή την κατάσταση, αφαιρέστε και επαναφορτίστε την μπαταρία.

Προστασία υπερθέρμανσης

Όταν το εργαλείο υπερφορτωθεί και η θερμοκρασία του φτάσει ένα ορισμένο επίπεδο, σταματάει η λειτουργία του εργαλείου αυτόματα. Σε αυτή την κατάσταση, αφήστε το εργαλείο να ψυχθεί πριν ενεργοποιήσετε ξανά το εργαλείο.

Ένδειξη της υπόλοιπης χωρητικότητας της μπαταρίας (Εικ. 3)

(Μόνο για κασέτες μπαταριών με "B" στο τέλος του αριθμού μοντέλου.)

Πιέστε το κουμπί ελέγχου στην κασέτα μπαταρίας για να υποδείξετε την υπόλοιπη χωρητικότητα της μπαταρίας. Οι ενδεικτικές λυχνίες ανάβουν για λίγα δευτερόλεπτα.

Ενδεικτικές λυχνίες			Υπόλοιπη χωρητικότητα
Αναμμέν-ες	Σβηστές	Αναβοσβή-νουν	
■ ■ ■ ■ ■			75% έως 100%
■ ■ ■ ■ □			50% έως 75%
■ ■ □ □			25% έως 50%
■ □ □ □			0% έως 25%
▨ □ □ □			Φορτίστε την μπαταρία.
■ ■ □ □ □ □ ▨ ▨			Μπορεί να προέκυψε δυσλειτουργία στην μπαταρία.

015658

ΠΑΡΑΤΗΡΗΣΗ:

• Ανάλογα με τις συνθήκες χρήσης και τη θερμοκρασία περιβάλλοντος, η ένδειξη μπορεί να διαφέρει λίγο από την πραγματική χωρητικότητα.

Λειτουργία διακόπτη (Εικ. 4)

⚠ ΠΡΟΣΟΧΗ:

• Πριν τοποθετήσετε την κασέτα μπαταρίας στο εργαλείο, να ελέγχετε πάντα αν το εργαλείο είναι σβηστό.

Για να ξεκινήσετε τη λειτουργία του εργαλείου, ολισθήστε τον κυλιόμενο διακόπτη στη θέση "Ι (ENERGO)".

Για να σταματήσετε το εργαλείο, σύρετε τον κυλιόμενο διακόπτη προς τη θέση "Ο (ANENERGO)".

Ρύθμιση του ρυθμού τροχιακής διαδρομής (Εικ. 5)

Είναι δυνατό να ρυθμίσετε το ρυθμό τροχιακής διαδρομής. Για να αλλάξετε το ρυθμό τροχιακής διαδρομής, περιστρέψτε το καντράν μεταξύ 1 και 6. Όσο υψηλότερος είναι ο αριθμός, τόσο υψηλότερος είναι ο ρυθμός τροχιακής διαδρομής. Προρρυθμίστε το καντράν στον αριθμό που είναι κατάλληλος για το τεμάχιο εργασίας σας.

ΠΑΡΑΤΗΡΗΣΗ:

• Δεν είναι δυνατό να περιστρέψετε το καντράν απευθείας από το 1 στο 6 ή από το 6 στο 1. Αν περιστρέψετε το καντράν με βία, μπορεί να προκληθεί ζημιά στο εργαλείο. Όταν αλλάζετε την κατεύθυνση του καντράν, να περιστρέψετε πάντα το καντράν μετακινώντας το σε κάθε ενδιάμεσο αριθμό.

Ενδεικτική λυχνία (Εικ. 6)

- Όταν το υπολειπόμενο φορτίο της μπαταρίας είναι χαμηλό, η ενδεικτική λυχνία αναβοσβήνει.
- Όταν το υπολειπόμενο φορτίο της μπαταρίας γίνει αρκετά πιο χαμηλό, το εργαλείο σταματάει κατά τη διάρκεια της λειτουργίας και η ενδεικτική λυχνία ανάβει για περίπου 10 δευτερόλεπτα.

Σε αυτή τη φάση, βγάλτε την κασέτα μπαταρίας από το εργαλείο και φορτίστε την.

ΣΥΝΑΡΜΟΛΟΓΗΣΗ

⚠ ΠΡΟΣΟΧΗ:

• Πάντοτε βεβαιώνετε ότι το εργαλείο είναι σβηστό και η κασέτα μπαταρίας έχει αφαιρεθεί πριν εκτελέσετε κάποια εργασία στο εργαλείο.

Τοποθέτηση ή αφαίρεση του εργαλείου εφαρμογής (προαιρετικό εξάρτημα) (Εικ. 7, 8, 9 και 10)

⚠ ΠΡΟΕΙΔΟΠΟΙΗΣΗ:

• Μην τοποθετείτε το εργαλείο εφαρμογής ανάποδα. Αν τοποθετήσετε το εργαλείο εφαρμογής ανάποδα, μπορεί να προκληθεί ζημιά στο εργαλείο και να προκληθεί σοβαρός προσωπικός τραυματισμός.

• Τοποθετήστε το εργαλείο προσαρτήματος στη σωστή κατεύθυνση, ανάλογα με την εργασία σας. Μπορείτε να τοποθετήσετε το εργαλείο εφαρμογής σε γωνία σε κάθε 30 μοίρες.

⚠ ΠΡΟΣΟΧΗ:

• Προσέχετε όταν κλείνετε το μοχλό κλειδώματος. Ο μοχλός κλειδώματος μπορεί να κλείσει ξαφνικά και να πιαστεί το δάκτυλό σας.

• Περιστασιακά, να καθαρίζετε τη σκόνη και να λιπαίνετε το κινούμενο μέρος του μοχλού κλειδώματος. Διαφορετικά, μπορεί να συσσωρευτεί σκόνη στο κινούμενο μέρος του μοχλού κλειδώματος και να εμποδίσει την ομαλή κίνησή του.

• Μη θέσετε το εργαλείο σε λειτουργία ενώ ανοίγει ο μοχλός. Μπορεί να προκληθεί βλάβη στο εργαλείο.

1. Ανοίξτε πλήρως το μοχλό κλειδώματος. Και αφαιρέστε το μπουλόνι υποδοχέα.
2. Τοποθετήστε ένα εργαλείο εφαρμογής (προαιρετικό εξάρτημα) στη φλάντζα εργαλείου ώστε οι προεξοχές στη φλάντζα εργαλείου να ταιριάζουν στις οπές στο εργαλείο εφαρμογής.
3. Εισαγάγετε το μπουλόνι υποδοχέα μέχρι να σταματήσει. Στη συνέχεια, επιστρέψτε το μοχλό κλειδώματος στην αρχική του θέση.

Όταν χρησιμοποιείτε το εργαλείο εφαρμογής λείανσης, προσαρτήστε το εργαλείο εφαρμογής στη βάση λείανσης ώστε να ταιριάζει με την κατεύθυνση της βάσης λείανσης. Η βάση λείανσης έχει σύστημα προσαρτήσης τύπου άγκιστρου και βρόχου, το οποίο επιτρέπει την εύκολη και ταχεία προσαρτήση ενός γυαλόχαρτου.

Επειδή τα γυαλόχαρτα έχουν οπές για την εξαγωγή της σκόνης, τοποθετήστε ένα γυαλόχαρτο ώστε οι οπές στο γυαλόχαρτο να ταιριάζουν με αυτές στη βάση λείανσης.

Για να αφαιρέσετε το γυαλόχαρτο, σηκώστε το άκρο του και αφαιρέστε το.

Για να αφαιρέσετε το μπουλόνι υποδοχέα, ακολουθήστε τις διαδικασίες τοποθέτησης αντίστροφα.

Όταν χρησιμοποιείτε εργαλεία εφαρμογής με διαφορετικό τύπο τμήματος εγκατάστασης, χρησιμοποιήστε σωστό προσαρμογέα (προαιρετικό αξεσουάρ).

ΛΕΙΤΟΥΡΓΙΑ

⚠️ ΠΡΟΕΙΔΟΠΟΙΗΣΗ:

- Πριν ξεκινήσετε το εργαλείο και κατά τη διάρκεια της λειτουργίας, κρατήστε τα χέρια και το πρόσωπό σας μακριά από το εργαλείο εφαρμογής.

⚠️ ΠΡΟΣΟΧΗ:

- Μην εφαρμόζετε υπερβολικό φορτίο στο εργαλείο, γεγονός που μπορεί να προκαλέσει το κλειδώμα του μοτέρ και τη διακοπή του εργαλείου.

Κοπή, πριόνισμα και ξύσιμο (Εικ. 11)

⚠️ ΠΡΟΣΟΧΗ:

- Μην μετακινείτε το εργαλείο με βία προς την κατεύθυνση (π.χ. προς οποιαδήποτε πλευρά) της εφαρμογής εργαλείου χωρίς άκρο κοπής. Μπορεί να προκληθεί ζημία στο εργαλείο.

Τοποθετήστε το εργαλείο εφαρμογής στο τεμάχιο εργασίας.

Μετά, μετακινήστε το εργαλείο προς τα μπροστά ώστε η κίνηση του εργαλείου εφαρμογής να μην επιβραδύνεται.

ΠΑΡΑΤΗΡΗΣΗ:

- Η βία ή υπερβολική πίεση στο εργαλείο μπορεί να μειώσει την αποδοτικότητά του.
- Πριν την εργασία κοπής, συνιστάται να προκαθορίσετε το ρυθμό τροχιακής διαδρομής σε 4 – 6.
- Αφαιρέστε τα πριονίδια αποσύροντας επαρκώς το εργαλείο. Αυξάνει την αποδοτικότητα εργασίας.
- Το στρογγυλό πριόνι συνιστάται για την κοπή ευθείας γραμμής μεγάλου μήκους.

Λείανση (Εικ. 12)

⚠️ ΠΡΟΣΟΧΗ:

- Μην επαναχρησιμοποιείτε για τη λείανση ξύλου κάποιο γυαλόχαρτο που έχετε χρησιμοποιήσει για τη λείανση μετάλλου.
- Μην χρησιμοποιείτε φθαρμένο γυαλόχαρτο ή γυαλόχαρτο χωρίς κόκκους.

Εφαρμόστε το γυαλόχαρτο στο τεμάχιο εργασίας.

ΠΑΡΑΤΗΡΗΣΗ:

- Συνιστάται η χρήση ενός δείγματος δοκιμαστικού υλικού για να καθοριστεί ένας σωστός ρυθμός τροχιακής διαδρομής που είναι κατάλληλος για την εργασία σας.
- Χρησιμοποιήστε γυαλόχαρτο με τον ίδιο κόκκο μέχρι να ολοκληρωθεί η λείανση ολόκληρου του τεμαχίου εργασίας. Αν αντικαταστήσετε ένα γυαλόχαρτο με γυαλόχαρτο διαφορετικού κόκκου, μπορεί να μην έχετε ομοιόμορφο τελείωμα.

Προσάρτημα εξαγωγής σκόνης (προαιρετικό εξάρτημα) (Εικ. 13 και 14)

- Τοποθετήστε τα ακροφύσια σκόνης και το προσάρτημα σκόνης.
- Τοποθετήστε τη ζώνη ακροφυσίου στο εργαλείο ώστε οι προεξοχές να ταιριάζουν στις οπές στο εργαλείο, για να το ασφαλίσετε.
- Τοποθετήστε το δακτύλιο τσόχας και τη βάση λείανσης στο προσάρτημα σκόνης και μετά ασφαλίστε τα με το μπουλόνι τοποθέτησης εργαλείου εφαρμογής.

Όταν θέλετε να εκτελέσετε καθαρότερες εργασίες, συνδέστε ηλεκτρική σκούπα στο εργαλείο σας. Συνδέστε τον εύκαμπτο σωλήνα της ηλεκτρικής σκούπας με το προσάρτημα εξαγωγής σκόνης (προαιρετικό εξάρτημα).

ΣΥΝΤΗΡΗΣΗ

⚠️ ΠΡΟΣΟΧΗ:

- Πάντα να βεβαιώνετε ότι το εργαλείο είναι σθητό και έχετε βγάλει την η κασέτα μπαταρίας πριν την εκτέλεση εργασιών επιθεώρησης ή συντήρησης εκτός από την εξής περίπτωση αντιμετώπισης προβλήματος που σχετίζεται με το φως.
- Μην χρησιμοποιείτε ποτέ βενζίνη, πετρελαϊκό αιθέρα, διαλυτικό, αλκοόλη ή παρόμοιες ουσίες. Ενδέχεται να προκληθεί αποχρωματισμός παραμόρφωση ή ρωγμές.

Για να διατηρήσετε την ΑΣΦΑΛΕΙΑ και ΑΞΙΟΠΙΣΤΙΑ του προϊόντος, επισκευές, έλεγχος και αντικατάσταση των ψηκτρών άνθρακα, καθώς και οποιαδήποτε άλλη συντήρηση ή ρύθμιση πρέπει να εκτελούνται από Κέντρα Εξυπηρέτησης Εργοστασίου ή από Εξουσιοδοτημένα από την Makita Κέντρα, πάντοτε χρησιμοποιώντας ανταλλακτικά της Makita.

ΠΡΟΑΙΡΕΤΙΚΑ ΕΞΑΡΤΗΜΑΤΑ

⚠️ ΠΡΟΣΟΧΗ:

- Αυτά τα ανταλλακτικά ή προσαρτήματα συνιστώνται για χρήση με το εργαλείο σας της Makita που περιγράφεται στο εγχειρίδιο αυτό. Η χρήση οτιδήποτε άλλων ανταλλακτικών ή προσαρτημάτων μπορεί να παρουσιάσουν κίνδυνο τραυματισμού σε άτομα. Χρησιμοποιήστε ανταλλακτικά ή προσαρτήματα μόνο για τον καθορισμένο σκοπό.

Εάν χρειάζεστε βοήθεια ή περισσότερες λεπτομέρειες σε σχέση με αυτά τα ανταλλακτικά, ρωτήστε το τοπικό σας κέντρο εξυπηρέτησης της Makita.

- Τμηματική λάμα πριονιού
- Στρογγυλή λάμα πριονιού
- Λάμα πριονιού βαθιάς κοπής
- Ξύστρα (άκαμπτη)
- Ξύστρα (εύκαμπτη)
- Οδοντωτή λάμα
- Γενικός κόπτης ενώσεων
- Αφαιρετής ΗΜ
- Λάμα πριονιού ΗΜ
- Πλάκα λείανσης ΗΜ
- Διαμαντένια λάμα πριονιού
- Βάση λείανσης
- Προσαρμογέας
- Δέλτα λειαντικού χαρτιού (κόκκινο / λευκό / μαύρο)
- Δέλτα φλιν (μεσαίων κόκκων / χονδρόκοκκο / χωρίς κόκκους)
- Δέλτα λειαντικής τσόχας
- Εξαγωνικό κλειδί
- Προσάρτημα εξαγωγής σκόνης
- Γνήσια μπαταρία και φορτιστής της Makita

ΠΑΡΑΤΗΡΗΣΗ:

- Μερικά στοιχεία στη λίστα μπορεί να συμπεριλαμβάνονται στη συσκευασία εργαλείου ως στάνταρ εξαρτήματα. Μπορεί να διαφέρουν ανάλογα με τη χώρα.

ENG905-1

Θόρυβος

Το τυπικό Α επίπεδο μετρημένου θορύβου καθορίζεται σύμφωνα με το EN60745:

Είδος εργασίας: λείανση

Μοντέλο DTM41

Στάθμη πίεσης ήχου (L_{pA}): 76 dB (A)

Αβεβαιότητα (K): 3 dB (A)

Η ένταση ήχου υπό συνθήκες εργασίας μπορεί να υπερβεί τα 80 dB (A).

Μοντέλο DTM51

Στάθμη πίεσης ήχου (L_{pA}): 77 dB (A)
Αβεβαιότητα (K): 3 dB (A)

Η ένταση ήχου υπό συνθήκες εργασίας μπορεί να υπερβεί τα 80 dB (A).

Είδος εργασίας: κοπή με λάμα πριονιού βαθιάς κοπής

Μοντέλο DTM41

Στάθμη πίεσης ήχου (L_{pA}): 80 dB (A)
Στάθμη δύναμης ήχου (L_{WA}): 91 dB (A)
Αβεβαιότητα (K): 3 dB (A)

Μοντέλο DTM51

Στάθμη πίεσης ήχου (L_{pA}): 81 dB (A)
Στάθμη δύναμης ήχου (L_{WA}): 92 dB (A)
Αβεβαιότητα (K): 3 dB (A)

Είδος εργασίας: κοπή με τμηματική λάμα πριονιού

Μοντέλο DTM41

Στάθμη πίεσης ήχου (L_{pA}): 77 dB (A)
Αβεβαιότητα (K): 3 dB (A)

Η ένταση ήχου υπό συνθήκες εργασίας μπορεί να υπερβεί τα 80 dB (A).

Μοντέλο DTM51

Στάθμη πίεσης ήχου (L_{pA}): 76 dB (A)
Αβεβαιότητα (K): 3 dB (A)

Η ένταση ήχου υπό συνθήκες εργασίας μπορεί να υπερβεί τα 80 dB (A).

Είδος εργασίας: ξύσιμο

Μοντέλο DTM41

Στάθμη πίεσης ήχου (L_{pA}): 78 dB (A)
Αβεβαιότητα (K): 3 dB (A)

Η ένταση ήχου υπό συνθήκες εργασίας μπορεί να υπερβεί τα 80 dB (A).

Μοντέλο DTM51

Στάθμη πίεσης ήχου (L_{pA}): 80 dB (A)
Στάθμη δύναμης ήχου (L_{WA}): 91 dB (A)
Αβεβαιότητα (K): 3 dB (A)

Φοράτε ωτοασπίδες

ENG900-1

Κραδασμός

Η ολική τιμή δόνησης (άθροισμα τρι-αξονικού διανύσματος) καθορίζεται σύμφωνα με το EN60745:

Μοντέλο DTM41

Είδος εργασίας: λείανση
Εκπομπή δόνησης (a_H): 3,0 m/s²
Αβεβαιότητα (K): 1,5 m/s²

Μοντέλο DTM51

Είδος εργασίας: λείανση
Εκπομπή δόνησης (a_H): 3,0 m/s²
Αβεβαιότητα (K): 1,5 m/s²

Μοντέλο DTM41

Είδος εργασίας: κοπή με λάμα πριονιού βαθιάς κοπής
Εκπομπή δόνησης (a_H): 7,0 m/s²
Αβεβαιότητα (K): 1,5 m/s²

Μοντέλο DTM51

Είδος εργασίας: κοπή με λάμα πριονιού βαθιάς κοπής
Εκπομπή δόνησης (a_H): 7,0 m/s²
Αβεβαιότητα (K): 1,5 m/s²

Μοντέλο DTM41

Είδος εργασίας: κοπή με τμηματική λάμα πριονιού
Εκπομπή δόνησης (a_H): 4,5 m/s²
Αβεβαιότητα (K): 1,5 m/s²

Μοντέλο DTM51

Είδος εργασίας: κοπή με τμηματική λάμα πριονιού
Εκπομπή δόνησης (a_H): 4,5 m/s²
Αβεβαιότητα (K): 1,5 m/s²

Μοντέλο DTM41

Είδος εργασίας: ξύσιμο
Εκπομπή δόνησης (a_H): 5,0 m/s²
Αβεβαιότητα (K): 1,5 m/s²

Μοντέλο DTM51

Είδος εργασίας: ξύσιμο
Εκπομπή δόνησης (a_H): 5,5 m/s²
Αβεβαιότητα (K): 1,5 m/s²

ENG901-1

- Η δηλωμένη τιμή εκπομπής κραδασμών έχει μετρηθεί σύμφωνα με την πρότυπη μέθοδο δοκιμής και μπορεί να χρησιμοποιηθεί για τη σύγκριση ενός εργαλείου με άλλο.
- Η δηλωμένη τιμή εκπομπής κραδασμών μπορεί να χρησιμοποιηθεί και στην προκαταρκτική αξιολόγηση έκθεσης.

⚠️ ΠΡΟΕΙΔΟΠΟΙΗΣΗ:

- Η εκπομπή κραδασμών κατά τη χρήση του ηλεκτρικού εργαλείου σε πραγματικές συνθήκες μπορεί να διαφέρει από τη δηλωμένη τιμή εκπομπής ανάλογα με τον τρόπο χρήσης του εργαλείου.
- Φροντίστε να λάβετε τα κατάλληλα μέτρα προστασίας του χειριστή βάσει υπολογισμού της έκθεσης σε πραγματικές συνθήκες χρήσης (λαμβάνοντας υπόψη όλες τις συνιστώσες του κύκλου λειτουργίας όπως τους χρόνους που το εργαλείο είναι εκτός λειτουργίας και όταν βρίσκεται σε αδρανή λειτουργία πέραν του χρόνου ενεργοποίησης).

ENH101-18

Μόνο για χώρες της Ευρώπης

Δήλωση Συμμόρφωσης EK

Η Makita δηλώνει ότι τα ακόλουθα μηχανήματα:

Χαρακτηρισμός μηχανήματος:
Φορητό πολυεργαλείο
Αρ. μοντέλου/ Τύπος: DTM41, DTM51

Συμμορφώνονται με τις ακόλουθες Ευρωπαϊκές Οδηγίες:

2006/42/EK

Κατασκευάζονται σύμφωνα με τα ακόλουθα πρότυπα ή έγγραφα τυποποίησης:

EN60745

Το αρχείο τεχνικών στοιχείων, σύμφωνα με την Οδηγία 2006/42/EK, διατίθεται από:

Makita, Jan-Baptist Vinkstraat 2, 3070, Βέλγιο

18.7.2013



Yasushi Fukaya
Διευθυντής

Makita, Jan-Baptist Vinkstraat 2, 3070, Βέλγιο

Genel görünüşün açıklanması

1 Düşme	9 Gösterge lambası	17 Toz haznesi bağlantısı
2 Kırmızı gösterge	10 Tutucu civata	18 Keçe halka
3 Batarya kartuşu	11 Kilitleme kolu	19 Ped
4 Yıldız işareti	12 Uygulama aletindeki delikler	20 Aletteki delikler
5 Gösterge lambaları	13 Alet flanşının çıkıntıları	21 Toz toplama başlığı
6 Kontrol düğmesi	14 Adaptör	kelepçesinin çıkıntıları
7 Sürgülü anahtar	15 Toz toplama başlığı kelepçesi	
8 Kadran	16 Toz toplama başlığı	

ÖZELLİKLER

Model		DTM41		DTM51	
Dakikadaki salınım sayısı		6.000 – 20.000 (dak ⁻¹)			
Salınım açısı, sol/sağ		1,6° (3,2° toplam)			
Standart batarya kartuşu		BL1430/ BL1440/ BL1450	BL1415*/ BL1415N*	BL1830/ BL1840/ BL1840B/ BL1850/ BL1850B	BL1815*/ BL1815N*/ BL1820*/ BL1820B*
Toplam uzunluk		340 mm	326 mm	340 mm	326 mm
Net ağırlık	toz çekme ek parçası olmadan	2,1 kg	2,0 kg	2,2 kg	2,0 kg
	toz çekme ek parçası ile	2,2 kg	2,1 kg	2,3 kg	2,1 kg
Anma voltajı		D.C. 14,4 V		D.C. 18 V	

* NOT: Sürekli çalıştırma için, BL1430, BL1440, BL1450, BL1830, BL1840, BL1840B, BL1850 ve BL1850B yüksek kapasiteli batarya kartuşu kullanılması tavsiye edilir.

- Sürekli yapılan araştırma ve geliştirmelerden dolayı, burada belirtilen özellikler önceden bildirilmeksizin değiştirilebilir.
- Özellikler ve batarya kartuşu ülkeden ülkeye değişebilir.
- EPTA-Prosedürü 01/2003 uyarınca, batarya kartuşu dahil, ağırlık

ENE080-1

Kullanım amacı

Bu alet tahta, plastik, alçı, içinde demir olmayan metaller ve bağlantı elemanlarını (örn. sertleştirilmemiş çivi ve zımbalar) testerelemek ve kesmek için tasarlanmıştır. Ayrıca yumuşak duvar seramikleri ile çalışmak ve küçük yüzeylerin kuru zımparalanması ve raspanması işlerinde kullanılmak için de kullanılır. Özellikle kenarlara yakın çalışırken ve flush-kesimler için uygundur.

GEA010-1

Genel elektrikli alet Güvenliği Uyarılar

⚠ UYARI! Tüm güvenlik uyarılarını ve tüm talimatları okuyun. Uyarılara ve talimatlara uyulmaması elektrik şoku, yangın ve/veya ciddi yaralanmalar ile sonuçlanabilir.

Tüm uyarıları ve talimatları ileride başvurmak için saklayın.

GEB094-2

AKÜLÜ ÇOK FONKSİYONLU ALET İÇİN GÜVENLİK UYARILARI

- Bu alet; testereleme, kesme, taşlama ve zımparalama için kullanılır. Bu elektrikli alette birlikte sunulan tüm güvenlik uyarılarını, çizimleri ve teknik özellikleri okuyun.** Aşağıda verilen talimatlara uyulmaması elektrik şoku, yangın ve/veya ciddi yaralanmalar ile sonuçlanabilir.
- Kesici aksesuarın görünmeyen kablolarına temas etme olasılığı bulunan yerlerde çalışırken elektrikli aleti yalıtımlı kavrama yüzeylerinden tutun.** Kesici aksesuarın "akımlı" bir telle temas etmesi elektrikli aletin yalıtımsız metal kısımlarını "akımlı" hale getirebilir ve kullanıcıyı elektrik şokuna maruz bırakabilir.
- İş parçasını düz bir platform üzerine sabitlemek için klemp kullanın ya da başka bir pratik yol bulun.** İş parçasını elle tutmak ya da vücudunuzla desteklemek sabit durmamasına ve kontrolü kaybetmenize neden olabilir.
- Her zaman koruyucu gözlük kullanın. Normal gözlük ya da güneş gözlükleri koruyucu gözlüklerin yerine GEÇMEZ.**
- Çivileri kesmeyin. İşlemden önce iş parçasının üzerinde çivi olup olmadığını kontrol edin ve varsa hepsini çıkarın.**
- Makineyi sıkıca tutun.**
- Anahtar açılmadan önce uygulama aletinin iş parçasına temas etmediğinden emin olun.**
- Ellerinizi hareketli parçalardan uzak tutun.**
- Makineyi çalışır durumda bırakmayın. Makineyi sadece elinizde iken çalıştırın.**

10. Bıçağı iş parçasından çıkarmadan önce daima anahtarı kapatın ve bıçağın tamamen durmasını bekleyin.
11. Uygulama aletine veya iş parçasına işlemden hemen sonra ellemeyin; bunlar çok sıcak olup cildinizi yakabilir.
12. Aleti gereksiz yere yüksüz çalıştırmayın.
13. Çalıştığınız malzemeye ve uygulamaya uygun toz maskesi/respiratör kullanın.
14. Bazı malzemeler zehirli olabilen kimyasallar içerirler. Toz yutmayı ve cilt temasını önlemek için tedbir alın. Malzeme sağlayıcısının güvenli bilgilerine uyun.
15. Bu alet su geçirmez değildir, çalışma parçasının yüzeyinde su kullanmayın.
16. Zımparalama işlemi sırasında çalışma alanının yeterince havalandırılmasını sağlayın.
17. Bu aletin bazı ürünleri, boyaları ve tahtaları zımparalamak için kullanılması, kullanıcının tehlikeli maddeler içeren tozlara maruz kalmasına neden olabilir. Uygun bir maske kullanın.
18. Kullanmadan önce ped üzerinde çatlak ya da kırık olmadığından emin olun. Çatlak ya da kırıklar yaralanmaya neden olabilir.
19. Aletin üreticisi tarafından tasarlanmamış ya da tavsiye edilmiş aksesuarları kullanmayın. Aksesuarın aletinize takılabiliyor olması güvenli kullanımın sağlanması için tek başına yeterli değildir.
20. Kişisel koruyucu donanım kullanın. Uygulamaya göre, yüz siperi veya koruyucu gözlük takın. Uygun durumlarda; kulak koruyucu, eldiven ve küçük aşındırıcı parçalar ile iş parçasının parçacıklarını engelleyebilecek nitelikte önlük giyin. Koruma gözlüğü, çeşitli işlemler sırasında sıçrayan parçacıkları engelleyebilecek nitelikte olmalıdır. Toz maskesi veya respiratör, işlem sırasında oluşan parçacıkları filtre edebilecek nitelikte olmalıdır. Uzun süre yüksek şiddetli gürültüye maruz kalmak işitme kaybına neden olabilir.
21. Etrafınızdaki kişilerin iş sahasından güvenli bir uzaklıkta durmasını sağlayın. İş sahasına giren herkes kişisel koruyucu ekipmanlar giymelidir. İş parçasının veya kırık bir aksesuarın parçaları sıçrayabilir ve iş sahasının yakınındaki kişileri yaralayabilir.
22. Aksesuar tamamen durmadan elektrikli aleti asla yere bırakmayın. Dönen aksesuar yüzeye takılarak aletin kontrolünüzden çıkmasına neden olabilir.
23. Elektrikli aleti yanınızda taşırken çalıştırmayın. Aksesuara istem dışı temas edilmesi sonucu kıyafetiniz takılarak vücudunuzu aksesuara doğru çekebilir.
24. Elektrikli aleti alev alabilecek malzemelerin yakınında kullanmayın. Kıvılcıklar bu malzemeleri ateşleyebilir.
25. Sıvı soğutucu gerektiren aksesuarları kullanmayın. Su veya başka sıvı soğutucular kullanılması elektrik çarpmasına veya şoka neden olabilir.
26. Alet üzerinde herhangi bir işlem yapmadan önce aletin kapalı, fişinin çekilmiş ve batarya kartuşunun çıkartılmış olduğundan daima emin olun.

27. Her zaman yere sağlam basın. Makineyi yüksekte kullandığınızda, altında kimsenin olmadığından emin olun.

BU TALİMATLARI SAKLAYIN.



UYARI:

Ürünü kullanırken (defalarca kullanınca kazanılan) rahatlık ve tanıdıklık duygusunun ilgili ürünün güvenlik kurallarına sıkı sıkıya bağlı kalmanın yerine geçmesine İZİN VERMEYİN. YANLIŞ KULLANIM veya bu kullanan kılavuzunda belirtilen emniyet kurallarına uymama ciddi yaralanmaya neden olabilir.

ENC007-9

ÖNEMLİ GÜVENLİK TALİMATLARI

BATARYA KARTUŞU HAKKINDA

1. Batarya kartuşunu kullanmadan önce, tüm talimatları ve (1) batarya şarj aleti, (2) batarya ve (3) bataryası kullanan alet üstündeki tüm uyarıları okuyun.
 2. Batarya kartuşunu sökmeyin.
 3. Kullanım süresi çok kısalsa, kullanmayı derhal kesin. Bu aşırı ısınma, olası yanıklar ve hatta bir patlama riski sonucunu doğurabilir.
 4. Eğer gözünüze elektrolit kaçarsa, temiz suyla yıkayın ve derhal tıbbi bakım arayın. Bunun sonucunda görme yeteneğinizi kaybedebilirsiniz.
 5. Batarya kartuşunu kısa devre yaptırmayın:
 - (1) Terminallere herhangi bir iletken madde değdirmeyin.
 - (2) Batarya kartuşunu çiviler, madeni paralar, vb. gibi başka metal nesnelere aynı kaba koymaktan kaçının.
 - (3) Batarya kartuşunu yağmura ya da suya maruz bırakmayın.
- Bataryada bir kısa devre büyük bir elektrik akımına, aşırı ısınmaya, olası yanıklara ve hatta bir bozulmaya neden olabilir.
6. Aleti ve batarya kartuşunu sıcaklığın 50°C ya da daha yükseğe ulaştığı yerlerde muhafaza etmeyin.
 7. Batarya kartuşunu ciddi hasar görmüş ya da tamamen kullanılmaz hale gelmiş olsa bile ateşe atmayın. Batarya kartuşu ateşin içinde patlayabilir.
 8. Bataryası düşürmemeye ya da darbe almamasına dikkat edin.
 9. Zarar gören bataryası kullanmayın.
 10. Bataryanın elden çıkarılması ile ilgili yerel düzenlemelere uyunuz.

BU TALİMATLARI SAKLAYIN.

Maksimum batarya ömrünü koruma için tavsiyeler

1. Batarya kartuşunu tamamen boşalmadan şarj edin. Aletin gücünün zayıfladığını fark ettiğiniz zaman daima kullanmayı durdurarak batarya kartuşunu şarj edin.
2. Tam şarjlı bir batarya kartuşunu asla tekrar şarj etmeyin. Fazla şarj etme bataryanın kullanım ömrünü kısaltır.

3. **Batarya kartuşunu 10°C – 40°C oda sıcaklığında şarj edin. Sıcak bir batarya kartuşunu şarj etmeden önce soğumasını bekleyin.**
4. **Uzun bir süre (altı aydan daha fazla) kullanmadığınız durumlarda batarya kartuşunu şarj edin.**

İŞLEVSEL AÇIKLAMALAR

⚠ UYARI:

- **Alet üzerinde ayarlama veya işleyiş kontrolü yapmadan önce aletin kapalı ve batarya kartuşunun ayrılmış olduğundan daima emin olun.** Aletin kapatılmaması ve batarya kartuşunun çıkarılmaması istemsiz olarak aletin başlatılması sonucu ciddi kişisel yaralanmalara neden olabilir.

Batarya kartuşunun takılması ve çıkarılması (Şek. 1)

⚠ DİKKAT:

- Batarya kartuşunu takmadan ya da çıkarmadan önce aleti daima kapatın.
- **Batarya dönüştürücüyü takarken veya çıkarırken aleti ve batarya dönüştürücüyü sıkıca tutun.** Aletin ve batarya dönüştürücünün sıkıca tutulmaması bunların düşürülmesine ve zarar görmesine ya da ciddi yaralanmalara sebep olabilir.

Batarya kartuşunu çıkarmak için, kartuşun ön tarafındaki düğmeyi kaydırarak kartuşu aletten çıkarın. Batarya kartuşunu takmak için, batarya kartuşu üzerindeki dili yuvanın çentiği ile hizalayın ve yerine oturtun. Hafif bir tık sesi duyulana kadar itip yerine tam oturmasını sağlayın. Düğmenin üst tarafındaki kırmızı gösterge görünüyorsa tam yerine kilitlenmemiş demektir.

⚠ DİKKAT:

- Batarya kartuşunu daima kırmızı gösterge görünmeyecek şekilde tam olarak takın. Yerine tam oturmazsa, aletten yanlışlıkla düşebilir, sizin ya da çevrenizdeki kişilerin yaralanmasına neden olabilir.
- Batarya kartuşunu zorlayarak takmayın. Kartuş kolay bir şekilde kaymıyorsa doğru yerleştirilmemiş demektir.

Batarya koruma sistemi (Lityum-ion yıldız işaretli batarya kartuşu) (Şek. 2)

Yıldız işaretli lityum-ion bataryalar bir koruma sistemi ile donatılmıştır. Bu sistem alete giden gücü otomatik olarak keserek uzun hizmet ömrü sağlar.

Alet ve/veya batarya için aşağıdaki durumlardan biri söz konusu olduğunda aletin işleyişi otomatik olarak durur.

- **Aşırı yüklenme:**
Alet, anormal derecede yüksek akım çekmesine neden olacak şekilde kullanılmaktadır. Bu durumda, aletin üzerindeki sürgülü anahtar "O (KAPALI)" konuma kaydırın ve aletin aşırı yüklenmesine neden olan uygulamayı durdurun. Aleti yeniden başlatmak için sürgülü anahtar "I (AÇIK)" konumuna getirin.
Alet çalışmaya başlamazsa, batarya aşırı ısınmış demektir. Bu durumda, sürgülü anahtar tekrar "I (AÇIK)" konumuna çekmeden önce bataryanın soğumasını bekleyin.
- **Düşük batarya voltajı:**
Kalan batarya kapasitesi çok düşüktür ve alet çalışmaz. Bu durum söz konusuysa, bataryayı çıkarıp şarj edin.
















Aşırı ısınma koruması

Alet aşırı yüklendiğinde ve aletin sıcaklığı belli bir seviyeye ulaştığında alet otomatik olarak durur. Bu durumda, aleti tekrar çalıştırmadan önce soğumasını bekleyin.

Kalan batarya kapasitesinin gösterilmesi (Şek. 3)

(Sadece model numarasının sonunda "B" yazan batarya kartuşları için.)

Kalan batarya kapasitesini göstermesi için batarya kartuşu üzerindeki kontrol düğmesine basın. Gösterge lambaları bir kaç saniye yanar.

Gösterge lambaları			Kalan kapasite
			
Yanıyor	Kapalı	Yanıp sönmüyor	
			%75 ila %100
			%50 ila %75
			%25 ila %50
			%0 ila %25
			Bataryayı şarj edin.
			Batarya arızalanmış olabilir.

015658

NOT:

- Kullanım koşullarına ve ortam sıcaklığına bağlı olarak, gösterilen değer gerçek kapasiteden biraz farklılık gösterebilir.

Anahtar işlemi (Şek. 4)

⚠ DİKKAT:

- Batarya kartuşunu alete takmadan önce, aletin kapalı olduğundan emin olmak için mutlaka kontrol edin.

Aleti başlatmak için, sürgülü anahtar "I (AÇIK)" konumuna getirin.

Aleti durdurmak için, sürgülü anahtar "O (KAPALI)" konumuna getirin.

Orbital darbe hızının ayarlanması (Şek. 5)

Orbital darbe hızı ayarlanabilir. Orbital darbe hızını değiştirmek için, kadranı 1 ilâ 6 arasında bir rakama getirin. Sayı arttıkça, orbital darbe hızı da artar. Kadranı çalıştırdığınız iş parçasına uygun olan rakama ayarlayın.

NOT:

- Kadran 1'den 6'ya ya da 6'dan 1'e doğrudan çevrilemez. Kadranı zorlamak alete zarar verebilir. Kadranın yönünü değiştirirken kadranı aradaki sayıların her birine getirerek çevirmelisiniz.

Gösterge lambası (Şek. 6)

- Kalan batarya kapasitesi düşük olduğunda, gösterge lambası yanıp söner.
- Kalan batarya kapasitesi daha da düştüğünde, alet çalışmayı bırakır ve gösterge lambası yaklaşık 10 saniye kadar yanar.

Bu durumda, batarya kartuşunu aletten çıkarın ve şarj edin.

MONTAJ

⚠ DİKKAT:

- Alet üzerinde herhangi bir iş yapmadan önce aletin kapalı ve batarya kartuşunun ayrılmış olduğundan daima emin olun.

Uygulama aletinin (isteğe bağlı aksesuarın) takılması veya çıkarılması (Şek. 7, 8, 9 ve 10)

⚠ UYARI:

- Uygulama aleti baş aşağı takmayın. Uygulama aletinin baş aşağı takılması ciddi yaralanmalara ve alete zarar gelmesine neden olabilir.
- Ek parçayı çalıştığınız işe göre doğru yönde takın. Uygulama aleti 30 derecelik açılarla takılabilir.

⚠ DİKKAT:

- Kilitleme kolunu kapatırken dikkatli olun. Kilitleme kolunu aniden kapanıp parmağınızı sıkıştırabilir.
- Zaman zaman kilitleme kolunun hareketli parçasının tozunu alın ve parçayı yağlayın.

Aksi takdirde kilitleme kolunun hareketli parçasının içinde toz birikebilir ve parçanın yumuşak hareketini engelleyebilir.

- Kol açıkken aleti başlatmayın. Alete zarar gelebilir.

1. Kilitleme kolunu tam olarak açın. Ve tutucu civatayı çıkarın.
2. Uygulama aletini (isteğe bağlı aksesuar), alet flanşının çıkıntılarını uygulama aletindeki deliklere oturacak şekilde alet flanşının üstüne koyun.
3. Tutucu civatayı durana kadar ilerletin. Ve ardından kilitleme kolunu orijinal konumuna döndürün.

Zımpara uygulama aletini kullanırken, uygulama aletini zımpara pedinin yönüne uygun şekilde zımpara pedinin üzerine monte edin.

Zımpara pedinde bir kanca ve halka türü bağlantı sistemi mevcuttur ve bu da zımpara kağıdının hızlı ve kolay bir şekilde yerleştirilmesini sağlar.

Zımpara kağıtları toz çekme için deliklere sahiptir, zımpara kağıdını zımpara pedi üzerindeki delikler zımpara kağıdındakilerle üst üste gelecek şekilde yerleştirin.

Bir zımpara kağıdını çıkarmak için, ucunu kaldırın ve söküp çıkarın.

Tutucu civatayı çıkarmak için, kurulum prosedürünü ters-ten izleyin.

Farklı bir montaj türüne sahip olan uygulama aletlerini kullanacağınız zaman doğru bir adaptör (isteğe bağlı aksesuar) kullanın.

KULLANIM

⚠ UYARI:

- Aleti kullanmaya başlamadan önce ve çalışma sırasında, elinizi ve yüzünüzü uygulama aletinden uzak tutun.

⚠ DİKKAT:

- Alete aşırı güç uygulamayın, aksi takdirde motor kilitlenebilir ve alet durabilir.

Kesme, testereleme ve raspalama (Şek. 11)

⚠ DİKKAT:

- Aleti, kesici kenarı olmayan uygulama aletlerinin yönünde (her iki tarafı doğrultusunda) zorlayarak hareket ettirmeyin. Böyle yapmak alete zarar verebilir.

Uygulama aletini iş parçasının üzerine yerleştirin. Daha sonra, uygulama aletinin hareketi yavaşlamayacak şekilde aleti ileri doğru hareket ettirin.

NOT:

- Aleti zorlama veya alet üzerinde aşırı basınç uygulama verimi azaltabilir.
- Kesim işleminden önce orbital darbe hızının 4 ilâ 6 arasında bir değere ayarlanması tavsiye edilir.
- Testereden çıkan tozları alete yeterli kadar çekerek giderin. Böylece iş etkinliğini artırabilirsiniz.
- Düz zutun bir hat boyunca kesim yapmak için yuvarlak testere kullanılması tavsiye edilir.

Zımparalama (Şek. 12)

⚠ DİKKAT:

- Metal zımparalama için kullanılmış bir zımpara kağıdını tahta zımparalama için tekrar kullanmayın.
- Aşınmış bir zımparalama kağıdını veya zımpara tanecikleri olmayan bir zımpara kağıdını kullanmayın.

Zımpara kağıdını iş parçasının üzerine uygulayın.

NOT:

- Çalıştığınız işe uygun doğru bir orbital darbe hızı belirlemek için bir test materyali numunesi kullanarak deneme yapmanız tavsiye edilir.
- İş parçasının tamamının zımparalanması tamamlanana kadar aynı tip zımpara taneciklerine sahip bir zımpara kağıdını kullanın. Farklı tip zımpara taneciklerine sahip bir zımpara kağıdı ile değiştirmek iyi bir finiş sağlanamamasına neden olabilir.

Toz çekme parçası (isteğe bağlı aksesuar) (Şek. 13 ve 14)

- Toz toplama başlığını ve toz ek parçasını takın.
- Toz toplama başlığı kelepçesini aletin üzerine yerleştirin ve sabitlemesi için çıkıntılarını alet üzerindeki deliğe oturtun.
- Keçe halkayı ve zımpara pedini toz ek parçasının üzerine takın ve uygulama aleti montaj civatası ile sabitleyin.

Daha temiz çalışmak isterseniz makinenize bir elektrikli süpürge bağlayın. Elektrikli süpürge hortumunu toz çekme ek parçasına (isteğe bağlı aksesuar) bağlayın.

BAKIM

⚠ DİKKAT:

- İşlemlerle ilgili olarak aşağıda belirtilen arıza giderme durumları haricinde, kontrol ya da bakım yapmaya kalkışmadan önce aletin kapalı ve batarya kartuşunun çıkartılmış olduğundan daima emin olun.
- Benzin, tiner, alkol ve benzeri maddeleri kesinlikle kullanmayın. Renk değişimi, deformasyon veya çatlaklar oluşabilir.

Makinanın EMNİYET ve GÜVENİLİRLİĞİNİ muhafaza etmek için onarımlar, karbon fırça muayenesi ve değişimi, başka her türlü bakım ve ayarlamalar daima Makita yedek parçaları kullanılarak Makita yetkili servis merkezleri tarafından yapılmalıdır.

İSTEĞE BAĞLI AKSESUARLAR

⚠ DİKKAT:

Bu aksesuarlar ve ek parçalar bu el kitabında belirtilen Makita aletiniz ile kullanılmak için tavsiye edilmektedir. Herhangi başka bir aksesuar ya da ek parka kullanılması insanlar için bir yaralanma riski getirebilir. Aksesuarları ya da ek parçaları yalnızca belirtilmiş olan kullanım amaçlarına uygun olarak kullanın.

Bu aksesuarlarla ilgili daha fazla bilgiye ihtiyaç duyarsanız bulunduğunuz yerdeki Makita servis merkezi başvurun.

- Segment testere bıçağı
- Yuvarlak testere bıçağı
- Dalma testere bıçağı
- Raspa (sert)
- Raspa (esnek)
- Dişli segment bıçağı
- Derz makinesi
- HM çıkartıcı
- HM segment testere bıçağı
- HM zımpara plakası
- Elmas segment testere bıçağı
- Zımpara pedi
- Adaptör
- Üçgen zımpara (kırmızı / beyaz / siyah)
- Üçgen zımpara kaplaması (orta / kalın / taneciksiz)
- Üçgen zımparalar için polisaj keçesi
- Altıgen anahtar
- Toz çekme ek parçası
- Orijinal Makita batarya ve şarj aleti

NOT:

- Listedeki bazı parçalar standart aksesuar olarak ürün paketinin içine dahil edilmiş olabilir. Aksesuarlar ülkeden ülkeye farklılık gösterebilir.

ENG905-1

Gürültü

EN60745 uyarınca hesaplanan tipik A-ağırlıklı gürültü düzeyi:

Çalışma modu: zımparalama

Model DTM41

Ses basınç seviyesi (L_{pA}): 76 dB (A)

Belirsizlik (K): 3 dB (A)

İşlem sırasında gürültü seviyesi 80 dB (A)'yi geçebilir.

Model DTM51

Ses basınç seviyesi (L_{pA}): 77 dB (A)

Belirsizlik (K): 3 dB (A)

İşlem sırasında gürültü seviyesi 80 dB (A)'yi geçebilir.

Çalışma modu: dalma testere bıçağı ile kesme

Model DTM41

Ses basınç seviyesi (L_{pA}): 80 dB (A)

Ses gücü düzeyi (L_{WA}): 91 dB (A)

Belirsizlik (K): 3 dB (A)

Model DTM51

Ses basınç seviyesi (L_{pA}): 81 dB (A)

Ses gücü düzeyi (L_{WA}): 92 dB (A)

Belirsizlik (K): 3 dB (A)

Çalışma modu: segmental testere bıçağı ile kesme

Model DTM41

Ses basınç seviyesi (L_{pA}): 77 dB (A)

Belirsizlik (K): 3 dB (A)

İşlem sırasında gürültü seviyesi 80 dB (A)'yi geçebilir.

Model DTM51

Ses basınç seviyesi (L_{pA}): 76 dB (A)

Belirsizlik (K): 3 dB (A)

İşlem sırasında gürültü seviyesi 80 dB (A)'yi geçebilir.

Çalışma modu: raspalama

Model DTM41

Ses basınç seviyesi (L_{pA}): 78 dB (A)

Belirsizlik (K): 3 dB (A)

İşlem sırasında gürültü seviyesi 80 dB (A)'yi geçebilir.

Model DTM51

Ses basınç seviyesi (L_{pA}): 80 dB (A)

Ses gücü düzeyi (L_{WA}): 91 dB (A)

Belirsizlik (K): 3 dB (A)

Kulak koruyucusu takın

ENG900-1

Titreşim

EN60745 standardına göre hesaplanan titreşim toplam değeri (üç eksenli vektör toplama):

Model DTM41

Çalışma modu: zımparalama

Titreşim emisyonu (a_h): 3,0 m/s²

Belirsizlik (K): 1,5 m/s²

Model DTM51

Çalışma modu: zımparalama

Titreşim emisyonu (a_h): 3,0 m/s²

Belirsizlik (K): 1,5 m/s²

Model DTM41

Çalışma modu: dalma testere bıçağı ile kesme

Titreşim emisyonu (a_h): 7,0 m/s²

Belirsizlik (K): 1,5 m/s²

Model DTM51

Çalışma modu: dalma testere bıçağı ile kesme

Titreşim emisyonu (a_h): 7,0 m/s²

Belirsizlik (K): 1,5 m/s²

Model DTM41

Çalışma modu: segmental testere bıçağı ile kesme

Titreşim emisyonu (a_h): 4,5 m/s²

Belirsizlik (K): 1,5 m/s²

Model DTM51

Çalışma modu: segmental testere bıçağı ile kesme

Titreşim emisyonu (a_h): 4,5 m/s²

Belirsizlik (K): 1,5 m/s²

Model DTM41

Çalışma modu: raspalama

Titreşim emisyonu (a_h): 5,0 m/s²

Belirsizlik (K): 1,5 m/s²

Model DTM51

Çalışma modu: raspalama

Titreşim emisyonu (a_h): 5,5 m/s²

Belirsizlik (K): 1,5 m/s²

- Beyan edilen titreşim emisyon değeri standart test yöntemine uygun şekilde ölçülmüştür ve bir aleti bir başkasıyla karşılaştırmak için kullanılabilir.
- Beyan edilen titreşim emisyon değeri bir ön maruz kalma değerlendirmesi olarak da kullanılabilir.

⚠ UYARI:

- Bu elektrikli aletin gerçek kullanımı sırasındaki titreşim emisyonu aletin kullanım biçimlerine bağlı olarak beyan edilen emisyon değerinden farklı olabilir.
- Gerçek kullanım koşullarındaki maruz kalmanın bir tahmini hesaplaması temelinde operatörü koruyacak güvenlik önlemlerini mutlaka belirleyin (çalışma döngüsü içerisinde aletin kapalı olduğu ve aktif durumda olmasının yanı sıra boşta çalıştığı zamanlar gibi, bütün zaman dilimleri göz önünde bulundurularak değerlendirilmelidir).

ENH101-18

Sadece Avrupa ülkeleri için

EC Uygunluk Beyanı

Biz Makita Corporation beyan ederiz ki aşağıdaki makine(ler):

Makine Adı:

Akülü Çok Fonksiyonlu Alet

Model No./ Tipi: DTM41, DTM51

Aşağıdaki Avrupa Direktiflerine uygundur:

2006/42/EC

Aşağıdaki standartlara veya standartlaştırılmış belgelere uygun olarak imal edilmişlerdir:

EN60745

2006/42/EC uyumluluğuna ilişkin teknik dosyaya şuradan ulaşılabilir:

Makita, Jan-Baptist Vinkstraat 2, 3070, Belçika

18.7.2013



Yasushi Fukaya
Müdür

Makita, Jan-Baptist Vinkstraat 2, 3070, Belçika

Makita Jan-Baptist Vinkstraat 2, 3070, Belgium
Makita Corporation Anjo, Aichi, Japan