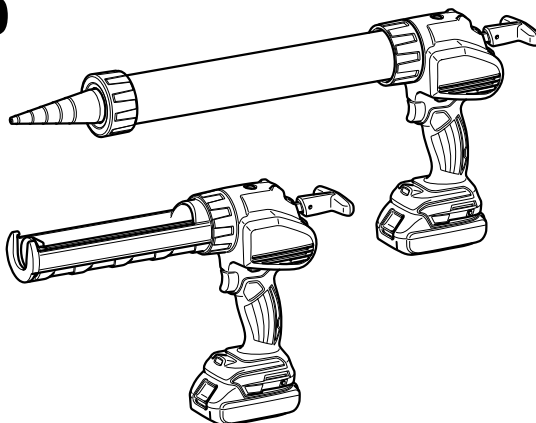




GB	Cordless Caulking Gun	Instruction manual
F	Pistolet à Mastic Sans Fil	Manuel d'instructions
D	Akku-Kartuschenpistole	Betriebsanleitung
I	Pistola da calafataggio senza fili	Istruzioni per l'uso
NL	Accukitpistool	Gebruiksaanwijzing
E	Pistola Inalámbrica para Aplicación de Sellador	Manual de instrucciones
P	Pistola de Calafetação a Bateria	Manual de instruções
DK	Ledningsfri fugepistol	Brugsanvisning
GR	Πιστόλι σιλικόνης μπαταρίας	Οδηγίες χρήσης
TR	Akülü Silikon Tabancası	Kullanım kılavuzu

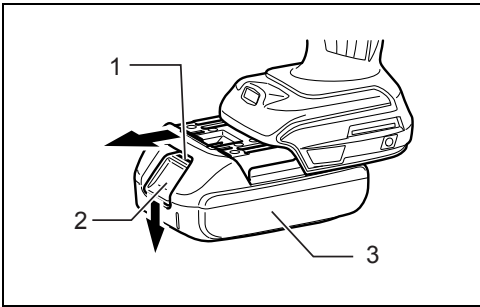
BCG140

BCG180



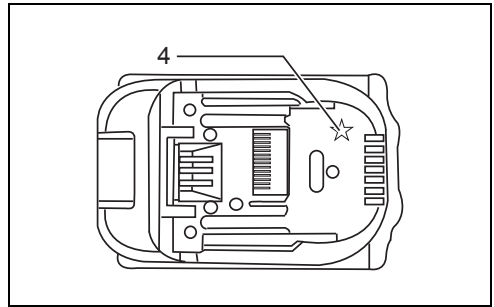
013564





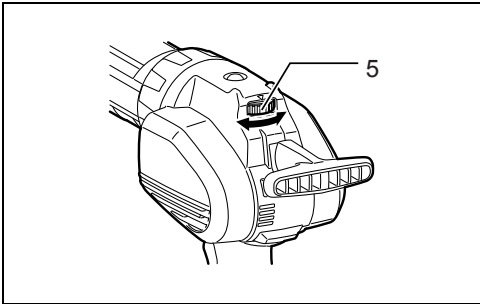
1

013558



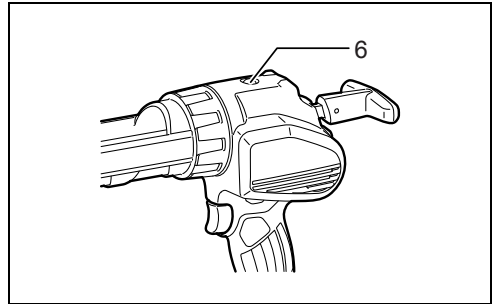
2

012128



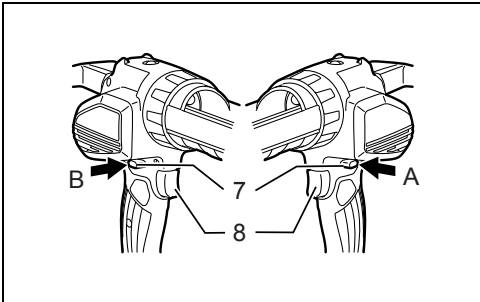
3

013560



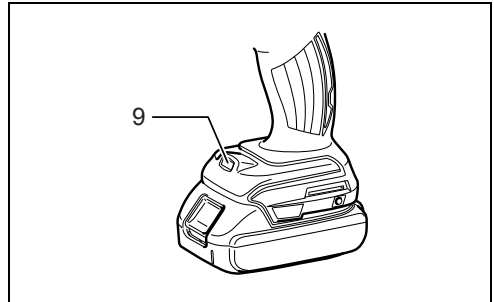
4

013557



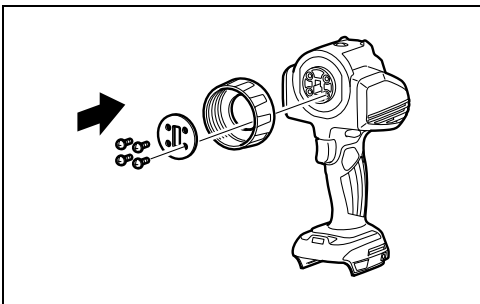
5

013559



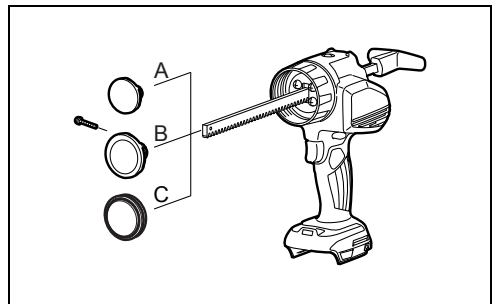
6

013570



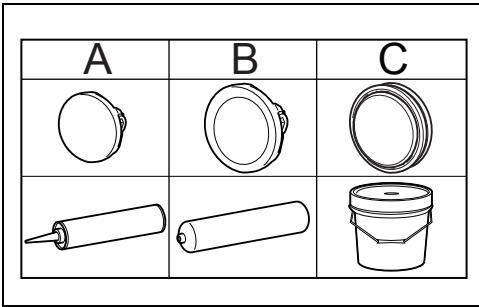
7

013610



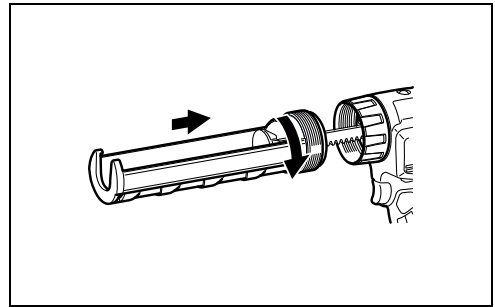
8

013612



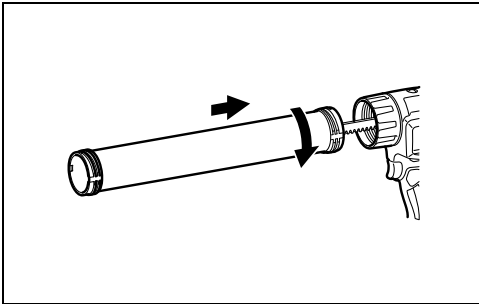
9

013611



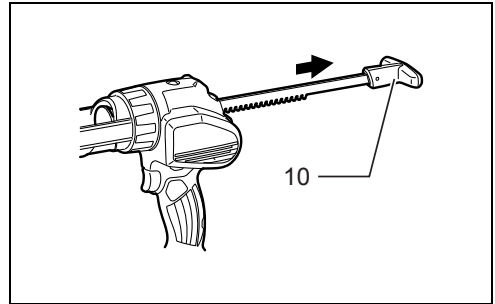
10

013561



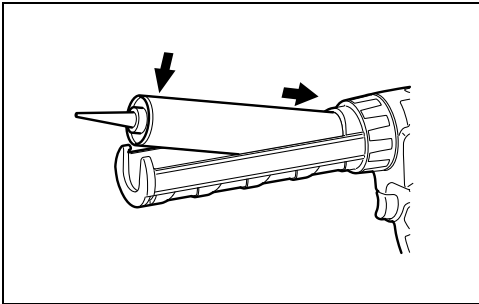
11

013562



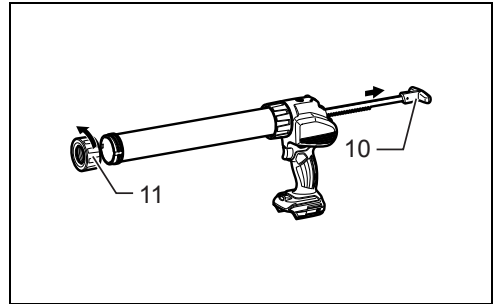
12

013566



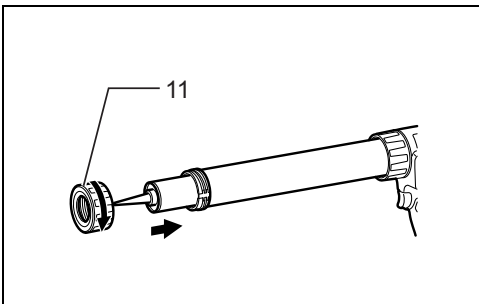
13

013567



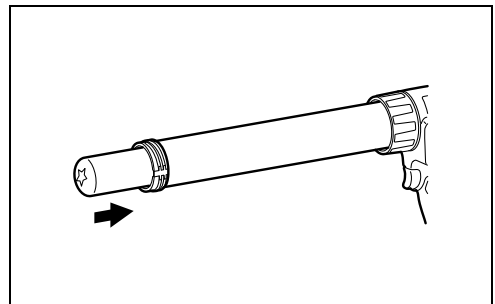
14

013572



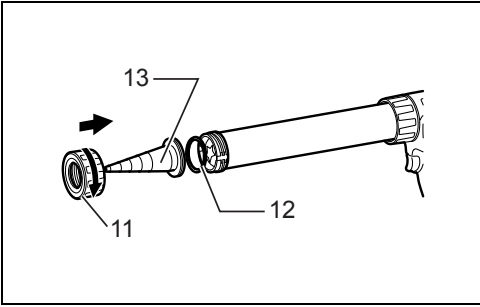
15

013571



16

013555



17

013569

ENGLISH (Original instructions)

Explanation of general view

- | | | |
|-------------------------|-------------------|-----------------|
| 1. Red indicator | 6. Warning lamp | 11. Holder cap |
| 2. Button | 7. Lock lever | 12. Rubber ring |
| 3. Battery cartridge | 8. Switch trigger | 13. Nozzle |
| 4. Star marking | 9. Lamp | |
| 5. Speed adjusting dial | 10. Rod handle | |

SPECIFICATIONS

Model		BCG140		BCG180	
Max feed force		5,000 N			
Feed speed		0 - 28 mm/s			
Stroke	with short (300 ml) holder	214 mm			
	with long (600 ml) holder	350 mm			
Overall length	with short (300 ml) holder	404 mm			
	with long (600 ml) holder	538 mm			
Standard battery cartridge		BL1415	BL1430	BL1815	BL1830
Net weight	with short (300 ml) holder	2.1 kg	2.2 kg	2.1 kg	2.3 kg
	with long (600 ml) holder	2.5 kg	2.6 kg	2.5 kg	2.7 kg
Rated voltage		D.C.14.4 V		D.C.18 V	

- Due to our continuing program of research and development, the specifications herein are subject to change without notice.
- Specifications and battery cartridge may differ from country to country.
- Weight, with battery cartridge, according to EPTA-Procedure 01/2003

Intended use

ENE086-1

This tool is intended for applying caulking material to surface.

General Power Tool Safety Warnings

GEA010-1

⚠ WARNING Read all safety warnings and all instructions. Failure to follow the warnings and instructions may result in electric shock, fire and/or serious injury.

Save all warnings and instructions for future reference.

CORDLESS CAULKING GUN SAFETY WARNINGS

GEB106-1

1. Keep hands and clothes away from the rod and the plunger area. Otherwise your finger or clothes may be pinched.
2. Always be sure you have a firm footing.
3. Hold the tool firmly.
4. Always work in well ventilated area and wear proper protections in accordance with the operation.
5. Read and follow the manufacture's instructions on caulking material or adhesive material before usage.

SAVE THESE INSTRUCTIONS.

⚠ WARNING:

DO NOT let comfort or familiarity with product (gained from repeated use) replace strict adherence to safety rules for the subject product. **MISUSE** or failure to follow the safety rules stated in this instruction manual may cause serious personal injury.

IMPORTANT SAFETY INSTRUCTIONS

ENC007-7

FOR BATTERY CARTRIDGE

1. Before using battery cartridge, read all instructions and cautionary markings on (1) battery charger, (2) battery, and (3) product using battery.
2. Do not disassemble battery cartridge.
3. If operating time has become excessively shorter, stop operating immediately. It may result in a risk of overheating, possible burns and even an explosion.
4. If electrolyte gets into your eyes, rinse them out with clear water and seek medical attention right away. It may result in loss of your eyesight.
5. Do not short the battery cartridge:
 - (1) Do not touch the terminals with any conductive material.
 - (2) Avoid storing battery cartridge in a container with other metal objects such as nails, coins, etc.

- (3) **Do not expose battery cartridge to water or rain.**

A battery short can cause a large current flow, overheating, possible burns and even a breakdown.

6. **Do not store the tool and battery cartridge in locations where the temperature may reach or exceed 50°C (122°F).**
7. **Do not incinerate the battery cartridge even if it is severely damaged or is completely worn out. The battery cartridge can explode in a fire.**
8. **Be careful not to drop or strike battery.**
9. **Do not use a damaged battery.**

SAVE THESE INSTRUCTIONS.

Tips for maintaining maximum battery life

1. **Charge the battery cartridge before completely discharged.**
Always stop tool operation and charge the battery cartridge when you notice less tool power.
2. **Never recharge a fully charged battery cartridge. Overcharging shortens the battery service life.**
3. **Charge the battery cartridge with room temperature at 10°C - 40°C (50°F - 104°F). Let a hot battery cartridge cool down before charging it.**
4. **Charge the battery cartridge once in every six months if you do not use it for a long period of time.**

FUNCTIONAL DESCRIPTION

CAUTION:

- Always be sure that the tool is switched off and the battery cartridge is removed before adjusting or checking function on the tool.

Installing or removing battery cartridge (Fig. 1)

CAUTION:

- Always switch off the tool before installing or removing of the battery cartridge.
- Hold the tool and the battery cartridge firmly when installing or removing battery cartridge. Failure to hold the tool and the battery cartridge firmly may cause them to slip off your hands and result in damage to the tool and battery cartridge and a personal injury.

To remove the battery cartridge, slide it from the tool while sliding the button on the front of the cartridge.

To install the battery cartridge, align the tongue on the battery cartridge with the groove in the housing and slip it into place. Insert it all the way until it locks in place with a little click. If you can see the red indicator on the upper side of the button, it is not locked completely.

CAUTION:

- Always install the battery cartridge fully until the red indicator cannot be seen. If not, it may accidentally fall out of the tool, causing injury to you or someone around you.
- Do not install the battery cartridge forcibly. If the cartridge does not slide in easily, it is not being inserted correctly.

Battery protection system

The tool is equipped with a battery protection system. This system automatically cuts off power to the motor to extend battery life.

The tool will automatically stop during operation if the tool and/or battery are placed under one of the following conditions:

- **Overloaded:**
The tool is operated in a manner that causes it to draw an abnormally high current.
In this situation, release the switch trigger on the tool and stop the application that caused the tool to become overloaded. Then pull the switch trigger again to restart.
If the tool does not start, the battery is overheated. In this situation, let the battery cool before pulling the switch trigger again.
- **Low battery voltage:**
The remaining battery capacity is too low and the tool will not operate. In this situation, remove and recharge the battery.

NOTE:

The overheat protection works only with a battery cartridge with a star mark. (Fig. 2)

Speed adjusting dial (Fig. 3)

The tool speed can be adjusted by turning the dial. Higher speed is obtained when the dial is turned in the direction of number 5, lower speed is obtained when it is turned in the direction of number 1.

NOTE:

- The speed adjusting dial can be turned only as far as 5 and back to 1. Do not force it past 5 or 1, or the speed adjusting function may no longer work.
- Depending on the type and condition of caulking material, the rod may get clogged when operating with low speed. In that case set the speed adjusting dial higher.

Overload warning lamp (Fig. 4)

The warning lamp flickers in red when the tool is overloaded. If the load reaches some point, the lamp keeps lighting in red and the tool stops. To restart the tool, release the trigger and pull the trigger again.

NOTE:

Check what causes the overload when the lamp flickers or lights up. Change the parameter of the speed adjusting dial lower, or increase the diameter of the nozzle.

Switch action

CAUTION:

- Before inserting the battery cartridge into the tool, always check to see that the switch trigger actuates properly and returns to the "OFF" position when released.
- When not operating the tool, push the trigger-lock button from A side to lock the switch trigger in the OFF position. (Fig. 5)

To prevent the switch trigger from accidentally pulled, the trigger-lock button is provided.

To start the tool, push the trigger-lock button from B side and pull the switch trigger. Tool speed is increased by increasing pressure on the switch trigger. Release the switch trigger to stop.

After use, press in the trigger-lock button from A side.

Lighting up the lamp

CAUTION:

- Do not look in the light or see the source of light directly. (Fig. 6)

Pull the switch trigger to light up the lamp. The lamp keeps on lighting while the switch trigger is being pulled. The lamp goes out approximately 10 seconds after the switch trigger is released.

NOTE:

- Use a dry cloth to wipe the dirt off the lens of lamp. Be careful not to scratch the lens of lamp, or it may lower the illumination.
- When the tool is overheated, the lamp flickers. Cool down the tool fully before operating again.

Drip preventive function

The motor keeps running for a short time even after the trigger is released. It releases the pressure of the caulking material and prevents dripping.

ASSEMBLY

CAUTION:

- Always be sure that the tool is switched off and the battery cartridge is removed before carrying out any work on the tool.
- Always place the tool on the ground or workbench when carrying out any assembling work. The tool without being held tight may lose balance and cause injury.

Installing holder joint (Fig. 7)

Attach the holder joint firmly along the tool, set the plate, and fix them with screws tightly.

To remove the holder joint, follow above procedure in reverse.

NOTE:

- There are two types of holders (optional accessory), short holder (300 ml) and long holder (600 ml). Use appropriate holder joint accordingly.

Installing rod and piston (Fig. 8 & 9)

Insert the rod into the slit of the tool.

Attach the piston and tighten it with a screw.

To remove the rod and piston, follow the installation procedure in reverse.

NOTICE:

- The teeth on the rod must point down.
- There are three types of pistons. Piston A for cartridges. Piston B for film type packs. Piston C for direct filling.
- Choose appropriate piston in accordance with the type of caulking material container. Improper piston may cause leakage or tool breakage.
- There are two types of rods. The short rod for the short holder (300 ml), and the long rod for long holder

(600 ml). Use appropriate rod in accordance with holder type.

- Always keep the rod and piston clean. Adhering caulk may damage the tool.

Installing holder (Fig. 10 & 11)

Hold the bottom of the holder and the holder joint, then turn the holder clockwise. Tighten it firmly until it stops.

Make sure the holder is tightened firmly. Otherwise the tool may be damaged.

To remove the holder, turn it counter clockwise.

NOTE:

- You can rotate the holder in accordance with required situations to facilitate the operation.
- The short holder (300 ml) is intended for the cartridges only. Use only piston A with short holder (300 ml), and do not use it with film type packs or direct filling. Also use appropriate rod in accordance with the holder type.

Installing cartridge

NOTICE:

- Make sure the piston A is attached to the rod. Do not use other type of piston for cartridge.

Installing the cartridge into the short holder (300 ml) (Fig. 12)

Pull the rod handle backwards slowly until it stops.

(Fig. 13)

Insert the cartridge into the holder as illustrated.

Push the rod gently until the piston touches the bottom of the cartridge.

To remove the cartridge, pull the rod backwards until it stops, then lift out the cartridge.

Installing the cartridge into the long holder (600 ml) (Fig. 14)

Remove the holder cap from the holder.

Pull the rod handle backwards slowly until it stops.

(Fig. 15)

Insert the cartridge into the holder.

Attach the holder cap. Make sure it is tightened firmly.

Push the rod gently until the piston touches the bottom of the cartridge.

To remove the cartridge, remove the holder cap, then take out the cartridge.

NOTICE:

- Always check the cartridge for puncture or damage before installing. Do not use damaged cartridge, otherwise the tool may be damaged.
- When using a partially used cartridge, remove any adhered material on the cartridge.

Installing film type pack

NOTICE:

- Make sure the piston B is attached to the rod. Do not use other type of piston for film type pack.
- Film type pack can be installed in the long holder (600 ml) only.

Remove the holder cap, the nozzle and the rubber ring from the holder.

Pull the rod handle backwards slowly until it stops.

(Fig. 16)

Cut off the tip of the film type pack.

Insert the film type pack into the holder. (**Fig. 17**)
Attach the rubber ring, the nozzle and the holder cap.
Make sure holder cap is tightened firmly.
Push the rod gently until the piston touches the bottom of the film type pack.

NOTE:

- Always check the film type pack for puncture or damage before installing. Do not use damaged pack, otherwise the tool may be damaged.

Direct filling

NOTICE:

- Make sure the piston C is attached to the rod. Do not use other type of piston for direct filling.
- Direct filling can only be performed with the long holder (600 ml).

Remove the holder cap, the nozzle and the rubber ring from the holder.

Make sure the rod handle is placed at the most front position.

Dip the mouth of the holder into the caulking material.

Pull the rod handle slowly until required amount of caulking material is filled in the holder.

Attach the rubber ring, the nozzle and the holder cap.

Make sure holder cap is tightened firmly.

NOTE:

- Clean the holder with appropriate solvent after every day's work. Otherwise adhered caulking material may cause tool breakage.

OPERATION

⚠ CAUTION:

- Do not touch the rod during operation. Otherwise your finger may be pinched between the rod and the housing of the tool.
- Always wear goggles during operation.

NOTICE:

- Do not cover vents, or it may cause overheating and damage to the tool.
- If you can not pull out the rod, turn the speed adjusting dial to 1, and pull the switch trigger for a moment, and try to pull the rod out after the motor stopped. If the rod is still clogged, perform the same action until the rod is able to move.

Cut off the tip of the nozzle suitable for individual operation. Be careful how much you cut the nozzle. The diameter of the nozzle affects the amount of caulking material dispensed.

Pull the trigger to dispense caulking material.

The amount of the caulking material dispensed is determined by the trigger, the speed adjusting dial, the diameter of the nozzle opening, caulking material type, and temperature.

It is recommended that the speed adjusting dial is set to "1" and pull the trigger slowly at the first time to test how much amount of caulking material is dispensed.

When the rod reaches front end, the motor starts idling.

Replace the caulking material when it happens.

NOTE:

If the caulking material is not dispensed, check the following items:

- Nozzle tip is not cut adequately. Cut the nozzle tip suitable for individual operation.
- Hardened material gets clogged in the nozzle. Remove the hardened material.
- The cartridge is damaged. Replace the cartridge.
- Caulking material is stiff. Warm the material until it becomes soft.
- The wrong piston is used. Use appropriate piston.

MAINTENANCE

⚠ CAUTION:

- Always be sure that the tool is switched off and the battery cartridge is removed before attempting to perform inspection or maintenance except for the following troubleshooting related to the light.
- Never use gasoline, benzine, thinner, alcohol or the like. Discoloration, deformation or cracks may result.
- Clean the holder and the rod after every day's work. Keep them free from the adhesive material. Remove the caulking material before it hardens. Remained adhesive material may cause breakage of the tool.

To maintain product SAFETY and RELIABILITY, repairs, carbon brush inspection and replacement, any other maintenance or adjustment should be performed by Makita Authorized Service Centers, always using Makita replacement parts.

OPTIONAL ACCESSORIES

⚠ CAUTION:

- These accessories or attachments are recommended for use with your Makita tool specified in this manual. The use of any other accessories or attachments might present a risk of injury to persons. Only use accessory or attachment for its stated purpose.

If you need any assistance for more details regarding these accessories, ask your local Makita Service Center.

- Piston A
- Piston B
- Piston C
- Short holder (300 ml) set
- Long holder (600 ml) set
- Nozzle
- Safety goggles
- Makita genuine battery and charger

NOTE:

- Some items in the list may be included in the tool package as standard accessories. They may differ from country to country.

Noise

ENG905-1

The typical A-weighted noise level determined according to EN60745:

Sound pressure level (L_{pA}): 70 dB (A) or less
Uncertainty (K): 3 dB (A)

The noise level under working may exceed 80 dB (A)

Wear ear protection.

Vibration

ENG900-1

The vibration total value (tri-axial vector sum) determined according to EN60745:

Vibration emission (a_h): 2.5 m/s² or less

Uncertainty (K): 1.5 m/s²

ENG901-1

- The declared vibration emission value has been measured in accordance with the standard test method and may be used for comparing one tool with another.
- The declared vibration emission value may also be used in a preliminary assessment of exposure.

WARNING:

- The vibration emission during actual use of the power tool can differ from the declared emission value depending on the ways in which the tool is used.
- Be sure to identify safety measures to protect the operator that are based on an estimation of exposure in the actual conditions of use (taking account of all parts of the operating cycle such as the times when the tool is switched off and when it is running idle in addition to the trigger time).

For European countries only

ENH101-16

EC Declaration of Conformity

We Makita Corporation as the responsible manufacturer declare that the following Makita machine(s):

Designation of Machine:

Cordless Caulking Gun

Model No./ Type: BCG140, BCG180

are of series production and

Conforms to the following European Directives:

2006/42/EC

And are manufactured in accordance with the following standards or standardised documents:

EN60745

The technical documentation is kept by:

Makita International Europe Ltd.

Technical Department,

Michigan Drive, Tongwell,

Milton Keynes, Bucks MK15 8JD, England

31. 7. 2012



Tomoyasu Kato

Director

Makita Corporation

3-11-8, Sumiyoshi-cho,

Anjo, Aichi, 446-8502, JAPAN

Descriptif

- | | | |
|-------------------------------------|---------------------------|--------------------------|
| 1. Voyant rouge | 6. Voyant d'avertissement | 11. Capuchon du support |
| 2. Bouton | 7. Levier de verrouillage | 12. Anneau en caoutchouc |
| 3. Batterie | 8. Gâchette | 13. Embout |
| 4. Étoile | 9. Lampe | |
| 5. Molette de réglage de la vitesse | 10. Poignée en T | |

SPÉCIFICATIONS

Modèle		BCG140		BCG180	
Force d'avance maximale		5 000 N			
Vitesse d'avance		0 - 28 mm/s			
Course	avec un support court (300 ml)	214 mm			
	avec un support long (600 ml)	350 mm			
Longueur totale	avec un support court (300 ml)	404 mm			
	avec un support long (600 ml)	538 mm			
Batterie standard		BL1415	BL1430	BL1815	BL1830
Poids net	avec un support court (300 ml)	2,1 kg	2,2 kg	2,1 kg	2,3 kg
	avec un support long (600 ml)	2,5 kg	2,6 kg	2,5 kg	2,7 kg
Tension nominale		14,4 V C.C.		18 V C.C.	

- Étant donné l'évolution constante de notre programme de recherche et de développement, les spécifications contenues dans ce manuel sont sujettes à des modifications sans préavis.
- Les spécifications et la batterie peuvent varier d'un pays à l'autre.
- Poids, batterie incluse, selon la procédure EPTA 01/2003

Utilisations

ENE086-1

Cet outil est destiné à appliquer du mastic sur une surface.

Consignes de sécurité générales des outils électriques

GEA010-1

⚠ AVERTISSEMENT Veuillez lire toutes les consignes de sécurité et les instructions. Il y a un risque de choc électrique, d'incendie et/ou de blessure grave si les consignes et les instructions ne sont pas toutes respectées.

Conservez toutes les consignes et instructions pour référence ultérieure.

AVERTISSEMENTS DE SÉCURITÉ RELATIFS AU PISTOLET À MASTIC SANS FIL

GEB106-1

1. Gardez les mains et les vêtements éloignés de la tige et de la zone du piston. Dans le cas contraire, vous risquez de vous pincer le doigt ou les vêtements.
2. Veillez à toujours avoir une bonne position d'équilibre.
3. Tenez l'outil fermement.
4. Travaillez toujours dans une zone bien ventilée et portez des protections appropriées au travail à effectuer.
5. Lisez et respectez les instructions du fabricant relatives au mastic ou aux matériaux adhésifs avant d'utiliser l'outil.

CONSERVEZ CES INSTRUCTIONS.

⚠ AVERTISSEMENT :

NE vous laissez PAS tromper (au fil d'une utilisation répétée) par un sentiment d'aisance et de familiarité avec le produit, en négligeant le respect rigoureux des consignes de sécurité qui accompagnent l'outil. Une UTILISATION INCORRECTE de l'outil ou le non-respect des consignes de sécurité indiquées dans ce manuel d'instructions peuvent causer des blessures graves.

CONSIGNES DE SÉCURITÉ IMPORTANTES

ENC007-7

POUR LA BATTERIE

1. Avant d'utiliser la batterie, veuillez lire toutes les instructions et tous les avertissements inscrits sur (1) le chargeur, (2) la batterie et (3) l'appareil alimenté par la batterie.
2. **Ne démontez pas la batterie.**
3. **Cessez immédiatement d'utiliser l'outil si le temps de fonctionnement devient excessivement court. Il y a un risque de surchauffe, de brûlures, voire d'explosion.**
4. Si l'électrolyte pénètre dans vos yeux, rincez-les à l'eau claire et consultez immédiatement un médecin. Il y a un risque de perte de la vue.
5. **Évitez de court-circuiter la batterie :**
 - (1) **Ne touchez les bornes avec aucun matériau conducteur.**

- (2) Évitez de ranger la batterie dans un contenant où se trouvent d'autres objets métalliques tels que des clous, pièces de monnaie, etc.
- (3) N'exposez pas la batterie à l'eau ou à la pluie. Un court-circuit de la batterie risque de provoquer un fort courant, une surchauffe, parfois des brûlures et même une panne.
- 6. Ne rangez pas l'outil ou la batterie dans des endroits où la température risque d'atteindre ou de dépasser 50°C (122°F).
- 7. Ne jetez pas la batterie au feu même si elle est sérieusement endommagée ou complètement épuisée. La batterie peut exploser au contact du feu.
- 8. Veillez à ne pas laisser tomber ou heurter la batterie.
- 9. N'utilisez pas de batterie endommagée.

CONSERVEZ CES INSTRUCTIONS.

Conseils pour assurer la durée de vie optimale de la batterie

1. Rechargez la batterie avant qu'elle ne soit complètement épuisée.
Arrêtez toujours l'outil et rechargez la batterie quand vous constatez que la puissance de l'outil diminue.
2. Ne rechargez jamais une batterie complètement chargée.
La surcharge réduit la durée de service de la batterie.
3. Chargez la batterie alors que la température de la pièce se trouve entre 10°C et 40°C (50°F et 104°F).
Si une batterie est chaude, laissez-la refroidir avant de la charger.
4. Si vous n'utilisez pas l'outil pendant une période prolongée, rechargez la batterie tous les six mois.

DESCRIPTION DU FONCTIONNEMENT

⚠ ATTENTION :

- Veillez toujours à ce que l'outil soit éteint et la batterie déposée avant d'effectuer des réglages ou de vérifier le fonctionnement de l'outil.

Installation et retrait de la batterie (Fig. 1)

⚠ ATTENTION :

- Éteignez toujours l'outil avant d'installer ou de déposer la batterie.
- Tenez fermement l'outil et la batterie lors de l'installation ou du retrait de la batterie. Si vous ne tenez pas fermement l'outil et la batterie, ils risquent de glisser et de s'abîmer ou de vous blesser.

Pour retirer la batterie, faites glisser le bouton à l'avant de la batterie et sortez la batterie.

Pour installer la batterie, alignez sa languette sur la rainure qui se trouve à l'intérieur du carter, puis glissez la batterie pour la mettre en place. Insérez-la bien à fond, jusqu'à ce qu'elle se verrouille en émettant un léger clic.

Si vous pouvez voir le voyant rouge sur la face supérieure du bouton, la batterie n'est pas parfaitement verrouillée.

⚠ ATTENTION :

- Installez toujours la batterie à fond, de sorte que le voyant rouge ne soit plus visible. Sinon, elle risque de tomber accidentellement de l'outil, en vous blessant ou en blessant une personne située près de vous.
- Ne forcez pas pour installer la batterie. Si la batterie ne glisse pas aisément, c'est qu'elle n'est pas insérée correctement.

Système de protection de la batterie

L'outil est équipé d'un système de protection de la batterie. Ce système coupe automatiquement l'alimentation en électricité vers le moteur afin de prolonger la durée de vie de la batterie.

L'outil s'arrête automatiquement pendant le fonctionnement lorsqu'il et/ou la batterie se trouvent dans l'une des situations suivantes :

- Surchargé :
L'outil fonctionne de manière à créer un courant anormalement élevé.
Dans ce cas, relâchez la gâchette de l'outil et arrêtez l'application qui cause la surcharge de l'outil. Ensuite, appuyez à nouveau sur la gâchette pour redémarrer l'outil.
Si l'outil ne démarre pas, la batterie est en surchauffe. Dans ce cas, laissez la batterie refroidir avant de presser à nouveau la gâchette.
- Faible tension de la batterie :
L'autonomie restante est trop basse et l'outil ne fonctionnera pas. Dans ce cas, retirez la batterie et rechargez-la.

REMARQUE :

La protection contre les surchauffes fonctionne uniquement avec une batterie comportant un symbole d'étoile. (Fig. 2)

Molette de réglage de la vitesse (Fig. 3)

La vitesse de l'outil peut être réglée en tournant la molette. La vitesse augmente lorsque vous tournez la molette vers le numéro 5 ; elle diminue lorsque vous la tournez vers le numéro 1.

REMARQUE :

- Vous ne pouvez tourner la molette de réglage de la vitesse que jusqu'aux positions 5 et 1. Ne le forcez pas au-delà des positions 5 ou 1, au risque de provoquer un dysfonctionnement du réglage de la vitesse.
- Selon le type et l'état du mastic, la tige peut rester coincée lors d'un fonctionnement à bas régime. Dans ce cas, augmentez le réglage indiqué sur la molette de réglage de la vitesse.

Voyant d'avertissement de surcharge (Fig. 4)

Le voyant d'avertissement rouge clignote lorsque l'outil est soumis à une surcharge. Au-delà d'une certaine charge, le voyant rouge reste allumé et l'outil s'arrête. Pour redémarrer l'outil, relâchez la gâchette et appuyez à nouveau dessus.

REMARQUE :

Recherchez la cause de la surcharge lorsque le voyant clignote ou reste allumé. Diminuez le paramètre de la molette de réglage de la vitesse ou augmentez le diamètre de l'embout.

Interrupteurs

⚠ ATTENTION :

- Avant d'insérer la batterie dans l'outil, vérifiez toujours que la gâchette fonctionne correctement et revient en position d'arrêt lorsqu'elle est libérée.
- Lorsque vous n'utilisez pas l'outil, enfoncez le bouton de verrouillage de la gâchette depuis le côté A pour verrouiller la gâchette en position d'arrêt. (Fig. 5)

Pour éviter tout déclenchement accidentel de la gâchette, l'outil est muni d'un bouton de verrouillage de la gâchette. Pour démarrer l'outil, enfoncez le bouton de verrouillage de la gâchette depuis le côté B puis appuyez sur la gâchette. La vitesse de l'outil augmente à mesure que l'on accroît la pression exercée sur la gâchette. Pour l'arrêter, relâchez la gâchette.

Après utilisation, appuyez sur le bouton de verrouillage de la gâchette depuis le côté A.

Allumage de la lampe

⚠ ATTENTION :

- Ne regardez pas directement la lumière ou la source lumineuse. (Fig. 6)

Appuyez sur la gâchette pour allumer la lampe. La lampe demeure allumée tant que la pression sur la gâchette est maintenue. La lampe s'éteint environ 10 secondes après le relâchement de la gâchette.

REMARQUE :

- Utilisez un chiffon sec pour essuyer les saletés qui recouvrent la lentille de la lampe. Prenez garde de ne pas rayer la lentille de la lampe, sinon sa capacité d'éclairage sera affectée.
- La lampe clignote lorsque l'outil est soumis à une surchauffe. Refroidissez complètement l'outil avant de le réutiliser.

Fonction de prévention de l'égouttement

Le moteur continue à tourner quelques instants, même après que la gâchette est relâchée. Cela permet de libérer la pression du mastic et d'empêcher l'égouttement.

ASSEMBLAGE

⚠ ATTENTION :

- Assurez-vous toujours que l'outil est hors tension et la batterie retirée avant d'effectuer toute intervention sur l'outil.
- Placez toujours l'outil sur le sol ou sur un établi lors d'une tâche d'assemblage. Si l'outil n'est pas tenu bien serré, il risque d'être déséquilibré et de blesser.

Installation du joint du support (Fig. 7)

Attachez fermement le joint du support le long de l'outil, réglez la plaque et fixez-les solidement avec des vis. Pour retirer le joint du support, suivez la procédure ci-dessus en sens inverse.

REMARQUE :

- Il existe deux types de supports (accessoire fourni en option) : les supports courts (300 ml) et les supports longs (600 ml). Utilisez le joint de support adapté au travail à effectuer.

Installation de la tige et du piston (Fig. 8 et 9)

Insérez la tige dans la fente de l'outil.

Fixez le piston et serrez-le avec une vis.

Pour retirer la tige et le piston, suivez la procédure d'installation dans l'ordre inverse.

NOTE :

- Les dents sur la tige doivent être orientées vers le bas.
- Il existe trois types de pistons. Piston A pour les cartouches. Piston B pour les packs de type film. Piston C pour le remplissage direct.
- Choisissez le piston adapté au type de conteneur de mastic utilisé. Un piston incorrect peut provoquer des fuites ou briser l'outil.
- Il existe deux types de tiges. La tige courte pour le support court (300 ml) et la tige longue pour le support long (600 ml). Utilisez la tige adaptée au type de support utilisé.
- Veillez à ce que la tige et le piston soient toujours propres. Les dépôts de mastic collé peuvent endommager l'outil.

Installation du support (Fig. 10 et 11)

Tenez la partie inférieure du support et le joint du support, puis tournez le support dans le sens horaire. Serrez-le fermement jusqu'à ce qu'il s'arrête.

Assurez-vous que le support est bien serré. Dans le cas contraire, vous pourriez endommager l'outil.

Pour retirer le support, tournez-le dans le sens antihoraire.

REMARQUE :

- Vous pouvez tourner le support selon les situations requises pour faciliter le fonctionnement.
- Le support court (300 ml) est destiné aux cartouches uniquement. Utilisez uniquement le piston A avec le support court (300 ml) et ne l'utilisez pas avec les packs de type film ou le remplissage direct. Utilisez également la tige adaptée au type de support utilisé.

Installation de la batterie

NOTE :

- Assurez-vous que le piston A est fixé à la tige. N'utilisez pas d'autre type de piston pour cartouche.

Installation de la cartouche dans le support court (300 ml) (Fig. 12)

Tirez la poignée en T lentement vers l'arrière jusqu'à ce qu'elle s'arrête. (Fig. 13)

Insérez la cartouche dans le support, comme illustré.

Enfoncez doucement la tige jusqu'à ce que le piston touche la partie inférieure de la cartouche.

Pour retirer la cartouche, tirez la tige vers l'arrière jusqu'à ce qu'elle s'arrête, puis sortez la cartouche.

Installation de la cartouche dans le support long (600 ml) (Fig. 14)

Retirez le capuchon du support.

Tirez la poignée en T lentement vers l'arrière jusqu'à ce qu'elle s'arrête. (Fig. 15)
Insérez la cartouche dans le support.
Fixez le capuchon du support. Assurez-vous qu'il est bien serré.

Enfoncez doucement la tige jusqu'à ce que le piston touche la partie inférieure de la cartouche.
Pour retirer la cartouche, retirez le capuchon du support, puis sortez la cartouche.

NOTE :

- Vérifiez toujours que la cartouche n'est pas percée ou endommagée avant de l'installer. N'utilisez pas une cartouche endommagée, vous pourriez endommager l'outil.
- En cas d'utilisation d'une cartouche déjà entamée, retirez tous les matériaux collés sur la cartouche.

Installation d'un pack de type film

NOTE :

- Assurez-vous que le piston B est fixé à la tige. N'utilisez pas d'autre type de piston pour pack de type film.
- Un pack de type film peut être installé dans le support long (600 ml) uniquement.

Retirez le capuchon du support, l'embout et l'anneau en caoutchouc du support.

Tirez la poignée en T lentement vers l'arrière jusqu'à ce qu'elle s'arrête. (Fig. 16)

Coupez l'extrémité du pack de type film.

Insérez le pack de type film dans le support. (Fig. 17)

Attachez l'anneau en caoutchouc, l'embout et le capuchon du support. Assurez-vous que le capuchon du support est bien serré.

Enfoncez doucement la tige jusqu'à ce que le piston touche la partie inférieure du pack de type film.

REMARQUE :

- Vérifiez toujours que le pack de type film n'est pas percé ou endommagé avant de l'installer. N'utilisez pas un pack endommagé, vous pourriez endommager l'outil.

Remplissage direct

NOTE :

- Assurez-vous que le piston C est fixé à la tige. N'utilisez pas d'autre type de piston pour remplissage direct.
- Le remplissage direct peut être effectué uniquement avec le support long (600 ml).

Retirez le capuchon du support, l'embout et l'anneau en caoutchouc du support.

Vérifiez que la poignée en T est placée en position la plus en avant.

Plongez le bec du support dans le mastic.

Tirez lentement sur la poignée en T jusqu'à ce que le support soit rempli de la quantité requise de mastic.

Attachez l'anneau en caoutchouc, l'embout et le capuchon du support. Assurez-vous que le capuchon du support est bien serré.

NOTE :

- Nettoyez le support avec un solvant adapté après chaque journée de travail. Dans le cas contraire, le mastic collé pourrait briser l'outil.

FONCTIONNEMENT

⚠ ATTENTION :

- Ne touchez pas la tige pendant le fonctionnement. Dans le cas contraire, vous pourriez vous pincer le doigt entre la tige et le corps de l'outil.
- Portez toujours des lunettes de sécurité pendant le fonctionnement.

NOTE :

- Ne couvrez pas les aérations, au risque de provoquer une surchauffe et d'endommager l'outil.
- Si vous ne pouvez pas tirer sur la tige, toumez la molette de réglage de la vitesse sur 1, tirez la gâchette quelques instants, puis essayez de sortir la tige une fois le moteur arrêté. Si la tige est toujours coincée, recommencez la même procédure jusqu'à ce que vous puissiez bouger la tige.

Coupez l'extrémité de l'embout pour une seule opération. Veillez à ne pas trop couper l'embout. Le diamètre de l'embout détermine la quantité de mastic distribué. Appuyez sur la gâchette pour faire sortir le mastic. La quantité de mastic distribuée est déterminée par la gâchette, la molette de réglage de la vitesse, le diamètre de l'ouverture de l'embout, le type de mastic et la température.

Il est recommandé de placer la molette de réglage de la vitesse sur « 1 » et de tirer lentement sur la gâchette la première fois pour tester la quantité de mastic à distribuer. Lorsque la tige atteint l'extrémité avant, le moteur commence à tourner au ralenti. Dans ce cas, remplacez le mastic.

REMARQUE :

Si le mastic ne sort pas, vérifiez les points suivants :

- L'extrémité de l'embout n'est pas découpé correctement. Coupez l'extrémité de l'embout pour une seule opération.
- Le matériau durci est bloqué dans l'embout. Retirez le matériau durci.
- La cartouche est endommagée. Remplacez la cartouche.
- Le mastic est dur. Réchauffez-le jusqu'à ce qu'il devienne mou.
- Un mauvais piston est utilisé. Utilisez un piston adéquat.

ENTRETIEN

⚠ ATTENTION :

- Assurez-vous toujours que l'outil est hors tension et que la batterie est retirée avant d'y effectuer tout travail d'inspection ou d'entretien, sauf en cas de problème lié à la lampe, tel que ceux décrits ci-après.
- N'utilisez jamais d'essence, de benzine, de diluant, d'alcool ou de produit similaire. Ces produits risquent de provoquer des décolorations, des déformations ou des fissures.
- Nettoyez le support et la tige après chaque journée de travail. Débarrassez-les des adhésifs. Retirez le mastic avant qu'il durcisse. Si vous ne retirez pas tous les adhésifs, l'outil risque de se casser.

Pour assurer la SÉCURITÉ et la FIABILITÉ du produit, toute réparation, inspection et remplacement des charbons, ainsi que toute autre tâche de maintenance ou de réglage, doivent être effectués par un Centre de

Déclaration de conformité CE

Nous, Makita Corporation, en tant que fabricant responsable, déclarons que la ou les machines Makita suivantes :

Nom de la machine :

Pistolet à Mastic Sans Fil

N° de modèle/Type : BCG140, BCG180

sont fabriquée en série et

sont conformes aux directives européennes suivantes :

2006/42/CE

et sont produites conformément aux normes ou documents de normalisation suivants :

EN60745

La documentation technique est disponible auprès de :

Makita International Europe Ltd.

Technical Department,

Michigan Drive, Tongwell,

Milton Keynes, Bucks MK15 8JD, Angleterre

31. 7. 2012



Tomoyasu Kato

Directeur

Makita Corporation

3-11-8, Sumiyoshi-cho,

Anjo, Aichi, 446-8502, JAPAN

ACCESSOIRES FOURNIS EN OPTION

ATTENTION :

- Ces accessoires ou pièces complémentaires sont recommandés pour être utilisés avec l'outil Makita spécifié dans ce mode d'emploi. L'utilisation de tout autre accessoire ou pièce complémentaire peut comporter un risque de blessure. N'utilisez les accessoires ou pièces qu'aux fins auxquelles ils ont été conçus.

Pour obtenir plus de détails sur ces accessoires, contactez votre Centre de service local Makita.

- Piston A
- Piston B
- Piston C
- Ensemble de support court (300 ml)
- Ensemble de support long (600 ml)
- Embout
- Lunettes de sécurité
- Batterie et chargeur Makita authentiques

REMARQUE :

- Certains éléments de la liste peuvent être inclus en tant qu'accessoires standard dans le coffret de l'outil envoyé. Ils peuvent varier suivant les pays.

Bruit ENG905-1
Les niveaux de bruit pondéré A typiques ont été mesurés selon la norme EN60745 :

Niveau de pression sonore (L_{pA}) : 70 dB (A) ou moins

Incertitude (K) : 3 dB (A)

Le niveau de bruit peut dépasser 80 dB (A) lors de l'utilisation.

Portez des protections auditives.

Vibrations ENG900-1

La valeur totale de vibration (somme du vecteur triaxial) a été déterminée selon la norme EN60745 :

Émission des vibrations (a_n) : 2,5 m/s² ou moins

Incertitude (K) : 1,5 m/s²

ENG901-1

- La valeur de l'émission des vibrations déclarée a été mesurée conformément à la méthode de test standard et peut être utilisée afin de comparer des outils entre eux.
- La valeur de l'émission des vibrations déclarée peut également être utilisée lors d'une évaluation préliminaire de l'exposition.

AVERTISSEMENT :

- Selon la manière dont l'outil est utilisé, il est possible que l'émission des vibrations pendant l'utilisation réelle de l'outil électrique diffère de la valeur de l'émission déclarée.
- Veillez à identifier les mesures de sécurité destinées à protéger l'opérateur et établies en fonction de l'estimation de l'exposition dans les conditions réelles d'utilisation (en prenant en compte toutes les étapes du cycle de fonctionnement, telles que les périodes de mise hors tension de l'outil, les périodes de fonctionnement au ralenti et les périodes de mise en route).

DEUTSCH (Originalanweisungen)

Erklärung der Gesamtdarstellung

- | | | |
|-----------------------------|---------------------|---------------------|
| 1. Roter Bereich | 6. Warnlampe | 11. Halterungskappe |
| 2. Taste | 7. Arretierhebel | 12. Gummiring |
| 3. Akkublock | 8. Ein/Aus-Schalter | 13. Düse |
| 4. Sternmarkierung | 9. Lampe | |
| 5. Geschwindigkeitsstellrad | 10. Stangengriff | |

TECHNISCHE DATEN

Modell		BCG140		BCG180	
Max. Zuführkraft		5.000 N			
Zuführgeschwindigkeit		0 – 28 mm/s			
Hub	mit kurzer Halterung (300 ml)	214 mm			
	mit langer Halterung (600 ml)	350 mm			
Gesamtlänge	mit kurzer Halterung (300 ml)	404 mm			
	mit langer Halterung (600 ml)	538 mm			
Standard-Akkublock		BL1415	BL1430	BL1815	BL1830
Nettogewicht	mit kurzer Halterung (300 ml)	2,1 kg	2,2 kg	2,1 kg	2,3 kg
	mit langer Halterung (600 ml)	2,5 kg	2,6 kg	2,5 kg	2,7 kg
Nennspannung		14,4 V Gleichstrom		18 V Gleichstrom	

- Aufgrund unserer beständigen Forschungen und Weiterentwicklungen sind Änderungen an den hier angegebenen Technischen Daten ohne Vorankündigung vorbehalten.
- Die Technischen Daten und der Akkublock können in den einzelnen Ländern Abweichungen aufweisen.
- Gewicht, mit Akkublock, ermittelt gemäß EPTA-Verfahren 01/2003

Verwendungszweck ENE086-1
Dieses Werkzeug wurde zum Auftragen von Dichtmittel auf eine Fläche entwickelt.

Allgemeine Sicherheitshinweise für Elektrowerkzeuge

GEA010-1

⚠️ WARNUNG Lesen Sie alle Sicherheitshinweise und Anweisungen sorgfältig durch. Wenn die Hinweise und Anweisungen nicht beachtet werden, besteht die Gefahr eines Stromschlags, Brands und/oder das Risiko von ernsthaften Verletzungen.

Bewahren Sie alle Hinweise und Anweisungen zur späteren Referenz gut auf.

SICHERHEITSHINWEISE ZUR AKKU-KARTUSCHENPISTOLE

GEB106-1

1. Halten Sie Hände und Kleidung vom Bereich der Stange und des Kolbens fern. Andernfalls können Ihre Finger oder Kleidung eingeklemmt werden.
2. Achten Sie jederzeit auf sicheren und festen Stand.
3. Halten Sie das Werkzeug mit festem Griff.
4. Arbeiten Sie stets in einem gut belüfteten Bereich, und tragen Sie dem Vorgang angemessene Schutzkleidung.
5. Lesen Sie vor der Anwendung die Herstelleranleitungen für das Dicht- oder Klebemittel und halten Sie sie ein.

BEWAHREN SIE DIESE ANLEITUNG SORGFÄLTIG AUF.

⚠️ WARNUNG:

Lassen Sie sich **NIE** durch Bequemlichkeit oder (aus fortwährendem Gebrauch gewonnener) Vertrautheit mit dem Werkzeug dazu verleiten, die Sicherheitsregeln für das Werkzeug zu missachten. Bei **MISSBRÄUCLICHER** Verwendung des Werkzeugs oder bei **Missachtung** der in diesem Handbuch enthaltenen Sicherheitshinweise kann es zu **schweren Verletzungen** kommen.

WICHTIGE SICHERHEITSREGELN

ENC007-7

FÜR AKKUBLOCK

1. Lesen Sie vor der Verwendung des Akkublocks alle Anweisungen und Sicherheitshinweise für das Akkuladegerät (1), den Akku (2) und das Produkt (3), für das der Akku verwendet wird, sorgfältig durch.
2. Der Akkublock darf nicht zerlegt werden.
3. Falls die Betriebsdauer erheblich kürzer wird, beenden Sie den Betrieb umgehend. Andernfalls besteht die Gefahr einer Überhitzung sowie das Risiko möglicher Verbrennungen und sogar einer Explosion.
4. Wenn Elektrolyt in Ihre Augen gerät, waschen Sie diese mit klarem Wasser aus und suchen Sie sofort einen Arzt auf. Andernfalls können Sie Ihre Sehfähigkeit verlieren.

5. **Vermeiden Sie einen Kurzschluss des Akkublocks:**
 - (1) **Die Kontakte dürfen nicht mit leitendem Material in Berührung kommen.**
 - (2) **Der Akkublock darf nicht in einem Behälter aufbewahrt werden, in dem sich andere metallische Gegenstände wie beispielsweise Nägel, Münzen usw. befinden.**
 - (3) **Der Akkublock darf weder Feuchtigkeit noch Regen ausgesetzt werden.**

Ein Kurzschluss des Akkus kann zu hohem Kriechstrom, Überhitzung, möglichen Verbrennungen und sogar zu einer Zerstörung des Werkzeugs führen.
6. **Werkzeug und Akkublock dürfen nicht an Orten aufbewahrt werden, an denen Temperaturen von 50°C oder darüber erreicht werden können.**
7. **Beschädigte oder verbrauchte Akkus dürfen nicht verbrannt werden. Der Akkublock kann in den Flammen explodieren.**
8. **Lassen Sie den Akku nicht fallen und vermeiden Sie Schläge gegen den Akku.**
9. **Verwenden Sie niemals einen beschädigten Akku.**

BEWAHREN SIE DIESE ANLEITUNG SORGFÄLTIG AUF.

Tipps für eine maximale Nutzungsdauer von Akkus

1. **Laden Sie den Akkublock auf, bevor der Akku vollständig entladen ist. Sobald Sie eine verringerte Leistung des Werkzeugs bemerken, beenden Sie stets den Betrieb des Werkzeugs und laden Sie den Akkublock auf.**
2. **Ein voll aufgeladener Akkublock darf niemals erneut geladen werden. Durch Überladungen wird die Lebensdauer des Akkus verkürzt.**
3. **Laden Sie den Akkublock bei einer Zimmertemperatur von 10°C bis 40°C auf. Lassen Sie einen heißen Akkublock vor dem Aufladen abkühlen.**
4. **Laden Sie den Akkublock aller sechs Monate auf, wenn Sie diesen für längere Zeit nicht verwenden.**

FUNKTIONSBESCHREIBUNG

⚠️ ACHTUNG:

- Schalten Sie das Werkzeug stets aus und nehmen Sie den Akkublock vom Werkzeug ab, bevor Sie Einstellungen oder Funktionsprüfungen am Werkzeug vornehmen.

Einsetzen und Abnehmen des Akkublocks (Abb. 1)

⚠️ ACHTUNG:

- Schalten Sie das Werkzeug stets aus, bevor Sie den Akkublock einsetzen oder abnehmen.
- Halten Sie das Werkzeug und den Akkublock sicher fest, wenn Sie den Akkublock einsetzen oder herausnehmen. Andernfalls könnte Ihnen das

Werkzeug oder der Akkublock aus den Händen fallen, sodass das Werkzeug und/oder der Akkublock beschädigt werden oder Verletzungen verursachen.

Zum Abnehmen des Akkublocks müssen Sie die Taste auf der Vorderseite des Akkublocks schieben und gleichzeitig den Akkublock aus dem Werkzeug herausziehen.

Zum Einsetzen des Akkublocks müssen Sie die Zunge des Akkublocks an der Rille im Gehäuse ausrichten und in die gewünschte Position schieben. Setzen Sie den Akkublock ganz ein, bis er mit einem Klick einrastet. Wenn Sie den roten Bereich oben auf der Taste sehen können, ist der Akkublock nicht ganz eingerastet.

⚠️ ACHTUNG:

- Setzen Sie den Akkublock unbedingt ganz ein, bis der rote Bereich nicht mehr zu sehen ist. Andernfalls kann der Akkublock versehentlich aus dem Werkzeug fallen und Sie oder umstehende Personen verletzen.
- Wenden Sie beim Einsetzen des Akkublocks keine Gewalt an. Wenn der Akkublock nicht leicht hineingleitet, ist er nicht richtig angesetzt.

Akku-Schutzsystem

Das Werkzeug ist mit einem Akku-Schutzsystem ausgestattet. Dieses System schaltet die Stromversorgung des Motors automatisch aus, um die Lebensdauer des Akkus zu verlängern.

Unter folgenden Bedingungen des Werkzeugs und/oder des Akkus kann das Werkzeug während des Betriebs automatisch stoppen:

- Überlastet:
 - Das Werkzeug wird auf eine Weise betrieben, die zu einer anormal hohen Stromaufnahme führt. Lassen Sie in dieser Situation den Ein/Aus-Schalter des Werkzeugs los und beenden Sie die Arbeiten, die zu der Überlastung des Werkzeugs geführt haben. Betätigen Sie anschließend den Ein/Aus-Schalter wieder, um das Werkzeug wieder in Betrieb zu nehmen.
 - Wenn das Werkzeug nicht startet, ist der Akku überhitzt. Lassen Sie in dieser Situation den Akku erst abkühlen, bevor Sie wieder den Ein/Aus-Schalter betätigen.
- Spannung des Akkus zu niedrig:
 - Die noch vorhandene Akkuladung ist zu niedrig, und das Werkzeug startet nicht. Nehmen Sie in dieser Situation den Akku ab und laden Sie den Akku wieder auf.

HINWEIS:

Der Überhitzungsschutz arbeitet nur mit einem mit einem Stern gekennzeichneten Akkublock. **(Abb. 2)**

Geschwindigkeitsstellrad (Abb. 3)

Die Werkzeuggeschwindigkeit kann durch Drehen des Stellrads eingestellt werden. Wenn Sie das Stellrad in Richtung 5 drehen, erhöhen Sie die Geschwindigkeit. Niedrigere Geschwindigkeiten erreichen Sie, wenn Sie das Stellrad in Richtung 1 drehen.

HINWEIS:

- Das Geschwindigkeitsstellrad lässt sich nur bis 5 und zurück auf 1 drehen. Wird es gewaltsam über 5 oder

1 hinaus gedreht, lässt sich die Geschwindigkeit möglicherweise nicht mehr einstellen.

- Je nach der verwendeten Art und dem Zustand des Dichtmittels kann die Stange bei niedrigen Betriebsgeschwindigkeiten blockieren. Stellen Sie in diesem Fall am Geschwindigkeitsstellrad eine höhere Geschwindigkeit ein.

Warnlampe Überlastung (Abb. 4)

Die Warnlampe blinkt rot, wenn das Werkzeug überlastet wird. Falls die Last einen bestimmten Punkt erreicht, leuchtet die Lampe rot und das Werkzeug stoppt. Zum Neustarten des Werkzeugs lösen Sie den Ein/Aus-Schalter und betätigen Sie ihn erneut.

HINWEIS:

Prüfen Sie, wodurch die Überlastung verursacht wird, wenn die Lampe blinkt oder leuchtet. Verringern Sie den Parameter der Geschwindigkeit, oder vergrößern Sie den Durchmesser der Düse.

Einschalten

⚠ ACHTUNG:

- Achten Sie vor dem Einsetzen des Akkublocks in das Werkzeug darauf, dass sich der Ein/Aus-Schalter korrekt bedienen lässt und beim Loslassen in die Position „OFF“ (AUS) zurückkehrt.
- Wenn das Werkzeug nicht betrieben wird, drücken Sie die Arretiertaste von der Seite A, um den Ein/Aus-Schalter in der Position OFF (AUS) zu verriegeln. (Abb. 5)

Damit der Ein/Aus-Schalter nicht versehentlich betätigt wird, befindet sich am Werkzeug eine Arretiertaste. Zum Starten des Werkzeugs drücken Sie zuerst die Arretiertaste von der Seite B, und betätigen Sie den Ein/Aus-Schalter. Die Geschwindigkeit des Werkzeugs wird durch größeren Druck auf den Ein/Aus-Schalter erhöht. Lassen Sie zum Ausschalten des Werkzeugs den Ein/Aus-Schalter los. Drücken Sie die Arretiertaste nach dem Gebrauch von der Seite A.

Einschalten der Lampe

⚠ ACHTUNG:

- Schauen Sie nicht direkt in das Licht oder in die Lichtquelle. (Abb. 6)
- Betätigen Sie zum Einschalten der Lampe den Ein/Aus-Schalter. Solange Sie den Ein/Aus-Schalter auf gedrückt halten, leuchtet die Lampe. Die Lampe erlischt automatisch nach 10 Sekunden nach dem Loslassen des Ein/Aus-Schalters.

HINWEIS:

- Wischen Sie Schmutz auf der Lampenlinse mit einem trockenen Tuch ab. Achten Sie darauf, dass die Linse der Lampe nicht zerkratzt wird, da dies die Leuchtstärke mindern kann.
- Wird das Werkzeug überhitzt, flackert die Lampe. Lassen Sie das Werkzeug vor dem weiteren Betrieb ganz abkühlen.

Tropfschutzfunktion

Der Motor bleibt für einen Moment in Betrieb, nachdem Sie den Ein/Aus-Schalter losgelassen haben. Dadurch

wird der Druck vom Dichtmittel abgelassen und das Tropfen verhindert.

MONTAGE

⚠ ACHTUNG:

- Schalten Sie das Werkzeug stets aus und entfernen Sie den Akkublock, bevor Sie Arbeiten am Werkzeug ausführen.
- Legen Sie das Werkzeug stets auf dem Boden oder der Werkbank ab, wenn Sie Montagearbeiten verrichten. Wenn Sie das Werkzeug nicht richtig festhalten, können Sie die Balance verlieren und sich verletzen.

Anbringen eines Halterungsgelenks (Abb. 7)

Befestigen Sie das Halterungsgelenk fest am Werkzeug, bringen Sie die Platte an und befestigen Sie alles mit den Schrauben.

Zum Entnehmen des Halterungsgelenks befolgen Sie die obige Vorgehensweise in umgekehrter Reihenfolge.

HINWEIS:

- Es gibt zwei Typen an Halterungen (Sonderzubehör: kurze (300 ml) und lang Halterung (600 ml). Verwenden Sie das entsprechende Halterungsgelenk.

Anbringen von Stange und Kolben (Abb. 8 und 9)

Setzen Sie die Stange in den Schlitz am Werkzeug ein. Bringen Sie den Kolben an und ziehen Sie diesen mit einer Schraube fest.

Zum Entnehmen der Stange und des Kolbens befolgen Sie die Vorgehensweise zum Einbauen in umgekehrter Reihenfolge.

HINWEIS:

- Der Zahn an der Stange muss nach unten zeigen.
- Es gibt drei Typen an Kolben: Kolben A für Kartuschen, Kolben B für Filmpackungen, Kolben C für direktes Füllen.
- Wählen Sie den entsprechenden Kolben je nach Typ des Dichtmittelbehälters. Ein ungeeigneter Kolben kann zu einem Leck oder Werkzeugbruch führen.
- Es gibt zwei Typen an Stangen. Die kurze Stange für die kurze Halterung (300 ml) und die lange Stange für die lange Halterung (600 ml). Verwenden Sie die entsprechende Stange je nach Halterung.
- Halten Sie die Stange und den Kolben stets sauber. Anhaftendes Dichtmittel kann das Werkzeug beschädigen.

Anbringen der Halterung (Abb. 10 und 11)

Halten Sie die Unterseite der Halterung und des Halterungsgelenks, und drehen Sie anschließend die Halterung im Uhrzeigersinn. Ziehen Sie alles fest an. Stellen Sie sicher, dass die Halterung sicher festgezogen ist. Andernfalls kann das Werkzeug beschädigt werden. Drehen Sie zum Entfernen der Halterung diese entgegen dem Uhrzeigersinn.

HINWEIS:

- Sie können die Halterung entsprechend der jeweiligen Situation drehen, um die Bedienung zu vereinfachen.

- Die kurze Halterung (300 ml) ist nur für Kartuschen vorgesehen. Verwenden Sie mit der kurzen Halterung (300 ml) nur Kolben A und nicht Filmpackungen und kein direktes Füllen. Verwenden Sie auch die entsprechende Stange je nach Halterung.

Einsetzen der Kartusche

HINWEIS:

- Stellen Sie sicher, dass der Kolben A an der Stange befestigt ist. Verwenden Sie für eine Kartusche keinen anderen Kolbentyp.

Befestigen der Kartusche in der kurzen Halterung (300 ml) (Abb. 12)

Ziehen Sie den Stangengriff langsam bis zum Anschlag nach hinten. (Abb. 13)

Setzen Sie die Kartusche entsprechend der Abbildung ein.

Drücken Sie die Stange sanft, bis der Kolben die Unterseite der Kartusche berührt.

Zum Entnehmen der Kartusche ziehen Sie die Stange bis zum Anschlag zurück und heben Sie anschließend die Kartusche heraus.

Befestigen der Kartusche in der langen Halterung (600 ml) (Abb. 14)

Entfernen Sie die Halterungskappe von der Halterung. Ziehen Sie den Stangengriff langsam bis zum Anschlag nach hinten. (Abb. 15)

Setzen Sie die Kartusche in die Halterung ein. Bringen Sie die Halterungskappe an. Stellen Sie sicher, dass diese sicher festgezogen ist.

Drücken Sie die Stange sanft, bis der Kolben die Unterseite der Kartusche berührt.

Zum Entnehmen der Kartusche entfernen Sie die Halterungskappe und nehmen Sie anschließend die Kartusche heraus.

HINWEIS:

- Überprüfen Sie die Kartusche vor dem Einsetzen stets auf Einstiche oder Beschädigung. Verwenden Sie eine beschädigte Kartusche nicht, andernfalls kann das Werkzeug beschädigt werden.
- Wenn Sie eine angebrochene Kartusche verwenden, entfernen Sie alles an der Kartusche anhaftende Material.

Einsetzen einer Filmpackung

HINWEIS:

- Stellen Sie sicher, dass der Kolben B an der Stange befestigt ist. Verwenden Sie für eine Filmpackung keinen anderen Kolbentyp.
- Eine Filmpackung kann nur in die lange Halterung (600 ml) eingesetzt werden.

Entfernen Sie die Halterungskappe, die Düse und den Gummiring von der Halterung.

Ziehen Sie den Stangengriff langsam bis zum Anschlag nach hinten. (Abb. 16)

Schneiden Sie die Spitze der Filmpackung ab. Setzen Sie die Filmpackung in die Halterung ein. (Abb. 17)

Bringen Sie den Gummiring, die Düse und die Halterungskappe an. Stellen Sie sicher, dass die Halterungskappe sicher festgezogen ist.

Drücken Sie die Stange sanft, bis der Kolben die Unterseite der Filmpackung berührt.

HINWEIS:

- Überprüfen Sie die Filmpackung vor dem Einsetzen stets auf Einstiche oder Beschädigung. Verwenden Sie eine beschädigte Packung nicht, andernfalls kann das Werkzeug beschädigt werden.

Direktes Füllen

HINWEIS:

- Stellen Sie sicher, dass der Kolben C an der Stange befestigt ist. Verwenden Sie für direktes Füllen keinen anderen Kolbentyp.
- Direktes Füllen kann nur mit der langen Halterung (600 ml) ausgeführt werden.

Entfernen Sie die Halterungskappe, die Düse und den Gummiring von der Halterung.

Stellen Sie sicher, dass der Stangengriff sich an der vordersten Position befindet.

Tauchen Sie die Öffnung der Halterung in das Dichtmittel. Ziehen Sie langsam am Stangengriff, bis die gewünschte Menge Dichtmittel in die Halterung gefüllt wurde.

Bringen Sie den Gummiring, die Düse und die Halterungskappe an. Stellen Sie sicher, dass die Halterungskappe sicher festgezogen ist.

HINWEIS:

- Reinigen Sie die Halterung nach jedem Tagwerk mit einem geeigneten Reinigungsmittel. Andernfalls kann anhaftendes Dichtmittel zum Werkzeugsbruch führen.

BETRIEB

⚠ ACHTUNG:

- Berühren Sie die Stange während des Betriebs nicht. Ihre Finger könnten sonst zwischen der Stange und dem Gehäuse des Werkzeugs eingeklemmt werden.
- Tragen Sie während des Betriebs stets eine Schutzbrille.

HINWEIS:

- Decken Sie keine Lüftungsschlitze ab, dies kann zur Überhitzung und Beschädigung des Werkzeugs führen.
- Falls Sie die Stange nicht herausziehen können, drehen Sie das Einstellrad für die Geschwindigkeit auf 1, betätigen Sie den Ein/Aus-Schalter für einen Moment und versuchen Sie, die Stange nach dem Stoppen des Motors herauszuziehen. Falls die Stange immer noch feststeckt, wiederholen Sie diesen Vorgang, bis sich die Stange bewegen lässt.

Schneiden Sie die Spitze der Düse passend für die Verarbeitung ab. Achten Sie darauf, wie viel Sie von der Düse abschneiden. Der Durchmesser der Düse beeinflusst die abgegebene Dichtmittelmenge. Betätigen Sie den Schalter, um Dichtmittel abzugeben. Die Menge des abgegebenen Dichtmittels wird über den Schalter, das Einstellrad für die Geschwindigkeit, den Durchmesser der Düsenöffnung, den Dichtmitteltyp und die Temperatur bestimmt.

Es wird empfohlen, das Einstellrad für die Geschwindigkeit auf „1“ zu stellen und den Schalter zu Beginn langsam zu betätigen, um zu testen, wie viel Dichtmittel abgegeben wird.

Wenn die Stange das vordere Ende erreicht, wechselt der Motor in den Leerlauf. Tauschen Sie in diesem Fall das Dichtmittel aus.

HINWEIS:

Falls kein Dichtmittel abgegeben wird, überprüfen Sie folgendes:

- Die Düsenspitze wurde nicht richtig aufgeschnitten. Schneiden Sie die Spitze der Düse passend für die Verarbeitung ab.
- Ausgehärtetes Material hat die Düse verstopft. Entfernen Sie das ausgehärtete Material.
- Die Kartusche ist beschädigt. Tauschen Sie die Kartusche aus.
- Das Dichtmittel ist steif. Erwärmen Sie das Material, bis es weich wird.
- Der falsche Kolben wird verwendet. Verwenden Sie den geeigneten Kolben.

WARTUNG

⚠ ACHTUNG:

- Schalten Sie das Werkzeug stets aus und entfernen Sie den Akkublock, bevor Sie Inspektionen oder Wartungsarbeiten am Werkzeug vornehmen, außer bei der folgenden Maßnahme zur Fehlerbehebung des Lichtes.
- Verwenden Sie zum Reinigen niemals Kraftstoffe, Benzin, Verdünner, Alkohol oder ähnliches. Dies kann zu Verfärbungen, Verformungen oder Rissen führen.
- Reinigen Sie die Halterung und den Kolben nach jedem Tagwerk. Halten Sie diese frei von Klebmitteln. Entfernen Sie das Dichtmittel, bevor es hart wird. Verbleibendes Klebmittel kann das Werkzeug zerbrechen.

Zur Gewährleistung der SICHERHEIT und ZUVERLÄSSIGKEIT des Produkts dürfen Reparaturen, Inspektion und Austausch der Kohlebürsten sowie alle anderen Wartungsarbeiten und Einstellungen nur in von Makita autorisierten Servicecentern ausgeführt werden. Dabei sind ausschließlich Makita-Ersatzteile zu verwenden.

SONDERZUBEHÖR

⚠ ACHTUNG:

- Für das in diesem Handbuch beschriebene Makita-Gerät werden die folgenden Zubehör- und Zusatzteile empfohlen. Bei Verwendung anderer Zubehör- und Zusatzteile kann es zu Verletzungen kommen. Verwenden Sie Zubehör- und Zusatzteile nur für den vorgesehenen Zweck.

Informationen zu diesem Zubehör erhalten Sie von Ihrem Makita-Servicecenter.

- Kolben A
- Kolben B
- Kolben C
- Kurze Halterung (300 ml)
- Lange Halterung (600 ml)
- Düse
- Schutzbrille
- Original-Akku und Original-Ladegerät von Makita

HINWEIS:

- Einige der in der Liste aufgeführten Elemente sind dem Werkzeugpaket als Standardzubehör beigelegt. Diese können in den einzelnen Ländern voneinander abweichen.

Schallpegel

ENG905-1

Typischer A-bewerteter Schallpegel nach EN60745:

Schalldruckpegel (L_{pA}): 70 dB (A) oder weniger

Abweichung (K): 3 dB (A)

Unter Arbeitsbedingungen kann der Geräuschpegel 80 dB (A) überschreiten.

Tragen Sie Gehörschutz.

Schwingung

ENG900-1

Schwingungsgesamtwerte (Vektorsumme dreier Achsen) nach EN60745:

Schwingungsbelastung (a_h): 2,5 m/s² oder weniger

Abweichung (K): 1,5 m/s²

ENG901-1

- Der hier angegebene Wert für die erzeugten Schwingungen wurde gemäß dem genormten Testverfahren ermittelt und kann als Vergleich zu anderen Werkzeugen herangezogen werden.
- Der angegebene Wert für die erzeugten Schwingungen ist außerdem für eine vorbeugende Bewertung der Belastung zu verwenden.

⚠ WARNUNG:

- Die Schwingungsbelastung kann bei tatsächlichem Gebrauch des Elektrowerkzeugs in Abhängigkeit von der Handhabung des Elektrowerkzeugs von dem hier aufgeführten Wert abweichen.
- Stellen Sie sicher, dass Schutzmaßnahmen für den Bediener getroffen werden, die auf den unter den tatsächlichen Arbeitsbedingungen zu erwartenden Belastungen beruhen (beziehen Sie alle Bestandteile des Arbeitsablaufs ein, also zusätzlich zu den Arbeitszeiten auch Zeiten, in denen das Werkzeug ausgeschaltet ist oder ohne Last läuft).

Nur für europäische Länder

ENH101-16

EG-Konformitätserklärung

Wir, Makita Corporation als verantwortlicher

Hersteller, erklären, dass die folgende(n) Maschine(n)

der Marke Makita:

Bezeichnung der Maschine(n):

Akku-Kartuschenpistole

Nummer/Typ des Modells: BCG140, BCG180

in Serienfertigung hergestellt wird/werden und

den folgenden Richtlinien der Europäischen Union

genügt/genügen:

2006/42/EG

Außerdem werden die Werkzeuge gemäß den folgenden
Standards oder Normen gefertigt:

EN60745

Die technische Dokumentation erfolgt durch:

Makita International Europe Ltd.

Technical Department,

Michigan Drive, Tongwell,

Milton Keynes, Bucks MK15 8JD, England

31. 7. 2012



Tomoyasu Kato

Direktor

Makita Corporation

3-11-8, Sumiyoshi-cho,

Anjo, Aichi, 446-8502, JAPAN

ITALIANO (Istruzioni originali)

Spiegazione della vista generale

- | | | |
|---|-------------------------------|-------------------------------|
| 1. Indicatore rosso | 6. Spia di avvertenza | 11. Coperchio del contenitore |
| 2. Pulsante | 7. Leva di blocco | 12. Anello in gomma |
| 3. Batteria | 8. Interruttore di accensione | 13. Ugello |
| 4. Contrassegno a stella | 9. Lampada | |
| 5. Ghiera di regolazione della velocità | 10. Impugnatura bacchetta | |

SPECIFICHE TECNICHE

Modello		BCG140		BCG180	
Forza di avanzamento max		5.000 N			
Velocità di avanzamento		0 - 28 mm/s			
Corsa	con contenitore corto (300 ml)	214 mm			
	con contenitore lungo (600 ml)	350 mm			
Lunghezza complessiva	con contenitore corto (300 ml)	404 mm			
	con contenitore lungo (600 ml)	538 mm			
Batteria standard		BL1415	BL1430	BL1815	BL1830
Peso netto	con contenitore corto (300 ml)	2,1 kg	2,2 kg	2,1 kg	2,3 kg
	con contenitore lungo (600 ml)	2,5 kg	2,6 kg	2,5 kg	2,7 kg
Tensione nominale		14,4 V CC		18 V CC	

- Le caratteristiche tecniche riportate di seguito sono soggette a modifiche senza preavviso in virtù del nostro programma continuo di ricerca e sviluppo.
- Le caratteristiche tecniche e le batterie possono differire da paese a paese.
- Peso, comprensivo di batterie, calcolato in base alla Procedura EPTA 01/2003

Uso previsto

ENE086-1

Questo utensile serve all'applicazione sulle superfici di materie per calafatare.

Avvertenze generali di sicurezza per l'uso dell'utensile

GEA010-1

⚠ AVVERTENZA Leggere attentamente tutte le avvertenze di sicurezza e le istruzioni. La mancata osservanza delle istruzioni e delle avvertenze riportate di seguito potrebbe provocare scosse elettriche, incendi e/o lesioni gravi.

Conservare le avvertenze e le istruzioni per riferimenti futuri.

INDICAZIONI DI SICUREZZA PER LA PISTOLA DA CALAFATAGGIO SENZA FILI

GEB106-1

- Tenere mani e indumenti lontani dalla bacchetta e dall'area del pistone per evitare di pizzicarsi.
- Accertarsi di avere sempre un equilibrio stabile.
- Tenere l'utensile in modo saldo.
- Lavorare sempre in zone ben aerate e indossare le protezioni appropriate per questo tipo di operazioni.
- Leggere e seguire le istruzioni del produttore delle materie di calafataggio o delle materie adesive prima dell'uso.

CONSERVARE QUESTE ISTRUZIONI.



AVVERTENZA:

NON lasciare che la familiarità acquisita con il prodotto (dovuta all'uso ripetuto) provochi l'inosservanza delle norme di sicurezza. L'USO IMPROPRIO o la mancata osservanza delle norme di sicurezza indicate in questo manuale di istruzioni possono provocare gravi danni alla persona.

ISTRUZIONI IMPORTANTI PER LA SICUREZZA

ENC007-7

RELATIVE ALLA BATTERIA

- Prima di utilizzare la batteria, leggere tutte le istruzioni e gli avvisi di sicurezza relativi a (1) caricabatteria, (2) batteria e (3) prodotto utilizzato con la batteria.
- Non smontare la batteria.
- Se il tempo di funzionamento è diventato eccessivamente breve, non utilizzare l'utensile. Potrebbero verificarsi surriscaldamenti, ustioni o esplosioni.
- In caso di contatto dell'elettrolita della batteria con gli occhi, sciacquare con acqua fresca e rivolgersi immediatamente a un medico. Potrebbero verificarsi danni permanenti alla funzionalità visiva.
- Non cortocircuitare la batteria:
 - Non toccare i terminali della batteria con materiale in grado di condurre elettricità.

- (2) **Evitare di conservare la batteria a contatto con oggetti metallici quali chiodi, monete e così via.**
- (3) **Non esporre le batterie all'acqua o alla pioggia.**

Un cortocircuito può provocare un elevato flusso di corrente, surriscaldamento, ustioni o rotture.

- 6. **Non conservare l'utensile e la batteria a una temperatura superiore a 50 °C.**
- 7. **Evitare di smaltire le batterie danneggiate o esaurite bruciandole. Se esposte al fuoco, le batterie possono esplodere.**
- 8. **Evitare di far cadere o di colpire la batteria.**
- 9. **Non utilizzare batterie danneggiate.**

CONSERVARE QUESTE ISTRUZIONI.

Suggerimenti il prolungamento della durata della batteria

1. **Caricare le batterie prima di scaricarle completamente.**
Se si nota una diminuzione di potenza dell'utensile, interrompere il lavoro e ricaricare la batteria.
2. **Non ricaricare una batteria già completamente carica.**
In caso contrario, la durata operativa della batteria potrebbe ridursi.
3. **Caricare la batteria in ambienti con temperatura compresa tra 10 °C e 40 °C. Prima di caricare una batteria surriscaldata, lasciarla raffreddare.**
4. **Caricare la batteria una volta ogni sei mesi se l'utensile rimane inutilizzato per lungo tempo.**

DESCRIZIONE FUNZIONALE

⚠ ATTENZIONE:

- Prima di regolare o controllare le funzioni dell'utensile, verificare sempre di averlo spento e di aver rimosso la batteria.

Installazione o rimozione della batteria (Fig. 1)

⚠ ATTENZIONE:

- Prima di inserire o rimuovere la batteria, spegnere sempre l'utensile.
- Durante l'inserimento o la rimozione della batteria, tenere saldamente l'utensile e la batteria stessa. In caso contrario potrebbero scivolare dalle mani, causando danni all'utensile e alla batteria o lesioni personali.

Per rimuovere la batteria è sufficiente estrarla dall'utensile facendo scorrere il pulsante sulla parte anteriore della batteria.

Per inserire la batteria, allineare la linguetta della batteria con la scanalatura nell'alloggiamento e farla scorrere in posizione. Inserire a fondo la batteria fino a bloccarla in posizione con uno scatto. Se è visibile l'indicatore rosso sul lato superiore del pulsante, significa che la batteria non è completamente inserita.

⚠ ATTENZIONE:

- Inserire a fondo la batteria fino alla scomparsa dell'indicatore rosso. In caso contrario la batteria potrebbe fuoriuscire accidentalmente dall'utensile, provocando danni all'operatore o a eventuali osservatori.
- Non forzare l'inserimento della batteria. Se la batteria non scorre agevolmente, significa che la manovra di inserimento non è corretta.

Sistema di protezione della batteria

L'utensile è dotato di un sistema di protezione della batteria. Questo sistema interrompe automaticamente l'alimentazione del motore per prolungare la durata della batteria.

L'utensile si spegne automaticamente durante l'uso se l'utensile stesso e/o la batteria si trovano in una delle seguenti condizioni:

- **Sovraccarico:**
La modalità d'uso dell'utensile provoca un assorbimento anomalo di corrente. In questa situazione, rilasciare l'interruttore di accensione dell'utensile e interrompere l'operazione che ha provocato il sovraccarico dell'utensile stesso. Azionare di nuovo l'interruttore di accensione per riavviare l'utensile.
Se l'utensile non si avvia, si è verificato un surriscaldamento della batteria. In questo caso attendere che la batteria si raffreddi prima di azionare nuovamente l'interruttore di accensione.
- **Bassa tensione della batteria:**
La capacità residua della batteria è troppo bassa e non consente di utilizzare l'utensile. In questo caso, rimuovere e ricaricare la batteria.

NOTA:

La protezione contro il surriscaldamento funziona solo con una batteria con contrassegno a stella. (Fig. 2)

Ghiera di regolazione della velocità (Fig. 3)

Per regolare la velocità dell'utensile ruotare la ghiera. La velocità più alta si ottiene girando la ghiera nella direzione del numero 5, la velocità più bassa si ottiene girando la ghiera nella direzione del numero 1.

NOTA:

- La ghiera di regolazione della velocità può essere ruotata soltanto fino a 5 o indietro fino a 1. Non forzarla oltre 5 o 1: potrebbe non funzionare più correttamente.
- A seconda del tipo e delle condizioni del materiale di calafataggio, la bacchetta potrebbe bloccarsi durante il funzionamento a bassa velocità. In questo caso, impostare una velocità superiore tramite la ghiera di regolazione della velocità.

Spia di avvertenza di sovraccarico (Fig. 4)

In caso di sovraccarico dell'utensile, la spia di avvertenza lampeggia in rosso. Se il carico raggiunge un determinato punto, la spia rossa si accende e l'utensile si spegne. Per riaccenderlo, rilasciare l'interruttore e azionarlo nuovamente.

NOTA:

Se la spia lampeggia o si accende, verificare la causa del sovraccarico. Ridurre il parametro della ghiera di regolazione della velocità o aumentare il diametro dell'ugello.

Azionamento dell'interruttore

⚠ ATTENZIONE:

- Prima di inserire la batteria nell'utensile, controllare se l'interruttore di accensione funziona correttamente e ritorna in posizione "OFF" una volta rilasciato.
- Se non si utilizza l'utensile, premere la sicura dell'interruttore dal lato A per bloccare l'interruttore di accensione sulla posizione OFF. (Fig. 5)

La sicura dell'interruttore consente di evitare di azionare involontariamente l'interruttore di accensione.

Per accendere l'utensile premere la sicura dell'interruttore dal lato B e azionare l'interruttore di accensione. Per aumentare la velocità dell'utensile, aumentare la pressione sull'interruttore di accensione. Rilasciare l'interruttore di accensione per spegnerlo.

Dopo l'uso, premere la sicura dell'interruttore dal lato A.

Accensione della lampada

⚠ ATTENZIONE:

- Non guardare direttamente la luce o la sorgente luminosa. (Fig. 6)

Per accendere la lampada, azionare l'interruttore di accensione. La lampada rimane accesa fino a quando si tiene premuto l'interruttore di accensione. La lampada si spegne circa 10 secondi dopo aver rilasciato l'interruttore di accensione.

NOTA:

- Utilizzare un panno asciutto per pulire la lente della lampada. Prestare attenzione a non graffiare la lente della lampada per evitare riduzioni dell'intensità luminosa.
- In caso di surriscaldamento dell'utensile, la lampada lampeggia. Raffreddare completamente l'utensile prima di riutilizzarlo.

Funzione anti-gocciolamento

Il motore continua a funzionare per un breve periodo anche dopo aver rilasciato l'interruttore. Questa funzione toglie pressione al materiale di calafataggio e ne evita il gocciolamento.

MONTAGGIO

⚠ ATTENZIONE:

- Prima di eseguire qualsiasi operazione sull'utensile, verificare sempre di averlo spento e di aver rimosso la batteria.
- Durante le operazioni di montaggio, mettere sempre l'utensile a terra o su un banco da lavoro. Se non si afferra saldamente l'utensile, questo potrebbe sbilanciarsi e causare infortuni.

Installazione del raccordo del contenitore (Fig. 7)

Attaccare saldamente il raccordo del contenitore all'utensile, posizionare la piastra e fissare a fondo con le viti.

Per rimuovere il raccordo del contenitore, attenersi alla procedura descritta sopra procedendo in senso inverso.

NOTA:

- Ci sono due tipi di contenitore (accessorio opzionale): corto (300 ml) e lungo (600 ml). In ciascun caso, utilizzare il raccordo appropriato.

Installazione della bacchetta e del pistone (Fig. 8 e 9)

Inserire la bacchetta nella fessura dell'utensile.

Attaccare il pistone e stringerlo con una vite.

Per rimuovere bacchetta e pistone, attenersi alla procedura di installazione procedendo in senso inverso.

AVVISO:

- I denti della bacchetta devono essere rivolti verso il basso.
- Esistono tre tipi di pistoni. Pistone A per cartucce. Pistone B per confezioni di pellicola. Pistone C per il riempimento diretto.
- Scegliere il pistone appropriato in base al tipo di contenitore del materiale di calafataggio. L'uso di un pistone non appropriato può causare perdite o la rottura dell'utensile.
- Esistono due tipi di bacchette. La bacchetta corta per contenitore corto (300 ml) e la bacchetta lunga per contenitore lungo (600 ml). Utilizzare la bacchetta appropriata in base al tipo di contenitore.
- Tenere bacchetta e pistone sempre puliti. Residui di materiale attaccato possono danneggiare l'utensile.

Installazione del contenitore (Fig. 10 e 11)

Prendere la base del contenitore e il raccordo del contenitore, quindi ruotare il contenitore in senso orario.

Serrare a fondo fino a quando non gira più.

Assicurarsi che il contenitore sia ben serrato così da non danneggiare l'utensile.

Per rimuovere il contenitore, ruotarlo in senso antiorario.

NOTA:

- Per facilitare le operazioni, si può ruotare il contenitore in base alle situazioni.
- Il contenitore corto (300 ml) è idoneo solo alle cartucce. Col contenitore corto (300 ml) utilizzare solo il pistone A; non utilizzarlo con confezioni di pellicola o per il riempimento diretto. Utilizzare anche la bacchetta appropriata in base al tipo di contenitore.

Installazione della cartuccia

AVVISO:

- Assicurarsi che il pistone A sia attaccato alla bacchetta. Non utilizzare altri tipi di pistoni con la cartuccia.

Installazione della cartuccia nel contenitore corto (300 ml) (Fig. 12)

Tirare lentamente l'impugnatura della bacchetta fino a quando si ferma. (Fig. 13)

Inserire la cartuccia nel contenitore come illustrato. Spingere piano la bacchetta fino a quando il pistone tocca il fondo della cartuccia.

Per togliere la cartuccia, tirare la bacchetta fino a quando si ferma, quindi togliere la cartuccia.

Installazione della cartuccia nel contenitore lungo (600 ml) (Fig. 14)

Rimuovere il coperchio del contenitore.

Tirare lentamente l'impugnatura della bacchetta fino a quando si ferma. (Fig. 15)

Inserire la cartuccia nel contenitore.

Mettere il coperchio del contenitore. Assicurarsi che sia ben serrato.

Spingere piano la bacchetta fino a quando il pistone tocca il fondo della cartuccia.

Per togliere la cartuccia, rimuovere il coperchio del contenitore, quindi estrarre la cartuccia.

AVVISO:

- Prima dell'installazione, controllare sempre che la cartuccia non sia punta o danneggiata. Non utilizzare cartucce danneggiate che potrebbero danneggiare l'utensile.
- Se si usa una cartuccia parzialmente usata, togliere qualsiasi residuo di materiale dalla cartuccia.

Installazione di confezioni di pellicola

AVVISO:

- Assicurarsi che il pistone B sia attaccato alla bacchetta. Non utilizzare altri tipi di pistoni con le confezioni di pellicola.
- Le confezioni di pellicola possono essere installate unicamente nel contenitore lungo (600 ml).

Rimuovere il coperchio del contenitore, l'ugello e l'anello in gomma dal contenitore.

Tirare lentamente l'impugnatura della bacchetta fino a quando si ferma. (Fig. 16)

Tagliare la punta della confezione di pellicola.

Inserire la confezione nel contenitore. (Fig. 17)

Attaccare l'anello in gomma, l'ugello e il coperchio del contenitore. Assicurarsi che il coperchio sia ben serrato. Spingere piano la bacchetta fino a quando il pistone tocca il fondo della confezione di pellicola.

NOTA:

- Prima dell'installazione, controllare sempre che la confezione di pellicola non sia punta o danneggiata. Non utilizzare confezioni danneggiate che potrebbero danneggiare l'utensile.

Riempimento diretto

AVVISO:

- Assicurarsi che il pistone C sia attaccato alla bacchetta. Non utilizzare altri tipi di pistoni per il riempimento diretto.
- Il riempimento diretto può essere effettuato solo col contenitore lungo (600 ml).

Rimuovere il coperchio del contenitore, l'ugello e l'anello in gomma dal contenitore.

Assicurarsi che l'impugnatura della bacchetta si trovi nella posizione più avanzata.

Immergere la bocca del contenitore nel materiale di calafataggio.

Tirare lentamente l'impugnatura della bacchetta fino a quando la quantità necessaria di materiale ha riempito il contenitore.

Attaccare l'anello in gomma, l'ugello e il coperchio del contenitore. Assicurarsi che il coperchio sia ben serrato.

AVVISO:

- Dopo ogni giornata di lavoro, pulire il contenitore con un solvente appropriato in quanto i residui di materiale di calafataggio possono causare la rottura dell'utensile.

USO

⚠ ATTENZIONE:

- Non toccare la bacchetta durante l'utilizzo per evitare di pungersi le dita tra la bacchetta e l'alloggiamento dell'utensile.
- Indossare sempre occhiali protettivi durante le operazioni.

AVVISO:

- Per evitare un surriscaldamento potenzialmente dannoso per l'utensile, non coprire le aperture di ventilazione.
- Se non si riesce a tirare la bacchetta, ruotare la ghiera di regolazione della velocità su 1, azionare l'interruttore di accensione per un attimo e cercare di tirare la bacchetta dopo che il motore si è spento. Se la bacchetta è ancora intasata, ripetere la stessa operazione fino a quando la bacchetta non si muove.

Tagliare la punta dell'ugello in base alle singole operazioni. Fare attenzione a quanto si taglia l'ugello. Il diametro dell'ugello determina la quantità di materiale da calafataggio dispensata.

Per dispensare il materiale da calafataggio, azionare l'interruttore.

La quantità di materiale dispensata è determinata dall'interruttore, dalla ghiera di regolazione della velocità, dal diametro di apertura dell'ugello, dal tipo di materiale di calafataggio e dalla temperatura.

La prima volta, si consiglia di impostare la ghiera di regolazione della velocità su "1" e di azionare l'interruttore lentamente per verificare la quantità di materiale che viene dispensata.

Quando la bacchetta raggiunge l'estremità anteriore, il motore inizia a girare al minimo. In tal caso, sostituire il materiale da calafataggio.

NOTA:

Se non viene dispensato alcun materiale, controllare le seguenti voci:

- La punta dell'ugello non è stata tagliata adeguatamente. Tagliare la punta dell'ugello in base alla singola situazione.
- Materiale indurito ottura l'ugello. Rimuovere il materiale indurito.
- La cartuccia è danneggiata. Sostituire la cartuccia.
- Il materiale da calafataggio è rigido. Riscaldare il materiale fino ad ammorbidirlo.
- Il pistone utilizzato non è appropriato. Utilizzare un pistone appropriato.

MANUTENZIONE

ATTENZIONE:

- Prima di effettuare operazioni di ispezione o manutenzione, fatta eccezione per le seguenti procedure di risoluzione dei problemi relative alla luce, è importante verificare che l'utensile sia stato spento e che la batteria sia stata rimossa.
- Evitare assolutamente di usare benzina, diluenti, solventi, alcol o sostanze simili. In caso contrario, potrebbero verificarsi scoloriture, deformazioni o incrinature.
- Dopo ogni giornata di lavoro, pulire il contenitore e la bacchetta. Rimuovere eventuale materiale attaccato. Rimuovere il materiale da calafataggio prima che si indurisca. I residui di materiale potrebbero causare la rottura dell'utensile.

Per mantenere la SICUREZZA e l'AFFIDABILITÀ del prodotto, le riparazioni, l'ispezione e la sostituzione delle spazzole in carbonio e qualsiasi altra operazione di manutenzione o regolazione devono essere eseguiti da un centro di assistenza Makita autorizzato, sempre utilizzando ricambi Makita.

ACCESSORI OPZIONALI

ATTENZIONE:

- Si consiglia l'uso dei seguenti accessori per l'utensile Makita descritto in questo manuale. L'uso di qualsiasi altro accessorio potrebbe provocare lesioni personali. Utilizzare gli accessori esclusivamente per l'uso dichiarato.

Per l'assistenza e per ulteriori informazioni su tali accessori, rivolgersi al centro assistenza Makita di zona.

- Pistone A
- Pistone B
- Pistone C
- Set contenitore corto (300 ml)
- Set contenitore lungo (600 ml)
- Ugello
- Occhiali di sicurezza
- Batteria e caricabatteria originali Makita

NOTA:

- Alcuni degli accessori elencati potrebbero essere inclusi nella confezione dell'utensile come accessori standard. Gli accessori standard possono differire da paese a paese.

Rumore

ENG905-1

Il tipico livello di rumore ponderato A è determinato in conformità alla norma EN60745:

Livello di pressione sonora (L_{pA}): 70 dB (A) o inferiore
Variazione (K): 3 dB (A)

Il livello acustico in funzionamento può superare 80 dB (A).

Indossare una protezione acustica.

Vibrazioni

ENG900-1

Il valore totale delle vibrazioni (somma vettoriale triassiale) è determinato in conformità alla norma EN60745:

Emissione di vibrazioni (a_h): 2,5 m/s² o inferiore
Variazione (K): 1,5 m/s²

ENG901-1

- Il valore di emissione delle vibrazioni dichiarato è stato misurato in conformità con il metodo di test standard e può essere utilizzato per confrontare tra loro diversi utensili.
- Il valore dell'emissione delle vibrazioni dichiarato può anche essere usato per stime preliminari dell'esposizione.

AVVERTENZA:

- L'emissione delle vibrazioni durante l'uso effettivo dell'utensile elettrico può risultare diversa rispetto al valore dichiarato, in base alla modalità d'uso dell'utensile.
- Assicurarsi di individuare le necessarie misure di sicurezza per proteggere l'operatore in base a una stima dell'esposizione nelle condizioni reali di utilizzo (prendendo in considerazione tutte le fasi del ciclo operativo, come quante volte l'utensile viene spento e i periodi in cui rimane inattivo, oltre al tempo di avviamento).

Solo per i paesi europei

ENH101-16

Dichiarazione di conformità CE

Makita Corporation, in qualità di produttore

responsabile, dichiara che gli utensili Makita indicati di seguito:

Denominazione della macchina:

Pistola da calafataggio senza fili

N. modello/ Tipo: BCG140, BCG180

appartengono a una produzione in serie e sono

conformi alle seguenti direttive europee:

2006/42/EC

Sono inoltre prodotte in conformità con gli standard o i documenti standardizzati riportati di seguito:

EN60745

La documentazione tecnica viene conservata da:

Makita International Europe Ltd.

Technical Department,

Michigan Drive, Tongwell,

Milton Keynes, Bucks MK15 8JD, Inghilterra

31. 7. 2012.



Tomoyasu Kato

Direttore

Makita Corporation

3-11-8, Sumiyoshi-cho,

Anjo, Aichi, 446-8502, JAPAN

NEDERLANDS (Originele instructies)

Verklaring van het onderdelenoverzicht

- | | | |
|----------------------|---------------------------|----------------|
| 1. Rode deel | 6. Waarschuingslampje | 11. Houderkop |
| 2. Knop | 7. Aan/uit-vergrendelknop | 12. Rubberring |
| 3. Accu | 8. Aan/uit-schakelaar | 13. Mondstuk |
| 4. Ster-merkteken | 9. Lampje | |
| 5. Snelheidsregelaar | 10. Handvat van duwstang | |

TECHNISCHE GEGEVENS

Model		BCG140		BCG180	
Max. toevoersnelheid		5.000 N			
Toevoersnelheid		0 - 28 mm/s			
Slaglengte	met korte houder (300 ml)	214 mm			
	met lange houder (600 ml)	350 mm			
Totale lengte	met korte houder (300 ml)	404 mm			
	met lange houder (600 ml)	538 mm			
Standaardaccu		BL1415	BL1430	BL1815	BL1830
Nettogewicht	met korte houder (300 ml)	2,1 kg	2,2 kg	2,1 kg	2,3 kg
	met lange houder (600 ml)	2,5 kg	2,6 kg	2,5 kg	2,7 kg
Nominale spanning		14,4 V DC		18 V DC	

- Als gevolg van ons doorlopende onderzoeks- en ontwikkelingsprogramma, zijn de technische gegevens van dit gereedschap onderhevig aan veranderingen zonder voorafgaande kennisgeving.
- Specificaties en accu's kunnen van land tot land verschillen.
- Gewicht, inclusief de accu, volgens de EPTA-procedure 01/2003

Gebruiksdoeleinden

ENE086-1

Dit gereedschap is bedoeld voor het opbrengen van kitmateriaal op een oppervlak.

5. Alvorens het gereedschap te gebruiken leest u de instructies van de fabrikant met betrekking tot kitmateriaal of lijm materiaal, en volg deze op.

Algemene veiligheids waarschuwingen voor elektrisch gereedschap

GEA010-1

⚠ WAARSCHUWING Lees alle veiligheids waarschuwingen en alle instructies. Het niet volgen van de waarschuwingen en instructies kan leiden tot elektrische schokken, brand en/of ernstig letsel.

Bewaar alle waarschuwingen en instructies om in de toekomst te kunnen raadplegen.

VEILIGHEIDSWAARSCHUWINGEN SPECIFIEK VOOR EEN ACCUKITPISTOOL

GEB106-1

1. Houd handen en kleding uit de buurt van de duwstang en de zuiger. Anders kunnen uw vingers of kleding bekneld raken.
2. Zorg er altijd voor dat u stevig staat.
3. Houd het gereedschap stevig vast.
4. Werk altijd in een goed geventileerde ruimte en draag goede beschermingsmiddelen die passen bij de werkzaamheden.

BEWAAR DEZE INSTRUCTIES.

⚠ WAARSCHUWING:

Laat u NIET misleiden door een vals gevoel van comfort en bekendheid met het gereedschap (na veelvuldig gebruik) en neem alle veiligheidsvoorschriften van het betreffende product altijd strikt in acht. **VERKEERD GEBRUIK** of het niet volgen van de veiligheidsinstructies in deze gebruiksaanwijzing kan leiden tot ernstig persoonlijk letsel.

BELANGRIJKE VEILIGHEIDSWAARSCHUWINGEN

ENC007-7

VOOR ACCU'S

1. Alvorens de accu in gebruik te nemen, leest u eerst alle instructies en waarschuwingsofschriften op (1) de acculader, (2) de accu en (3) het apparaat waarin de accu wordt aangebracht.
2. Haal de accu niet uit elkaar.
3. Als de gebruikstijd aanzienlijk korter is geworden, stopt u onmiddellijk met het gebruik. Anders kan dit leiden tot kans op oververhitting, mogelijke brandwonden en zelfs een explosie.
4. Als de elektrolyt in uw ogen komt, wast u deze uit met schoon water en raadpleegt u onmiddellijk

een arts. Dit kan leiden tot verlies van gezichtsvermogen.

5. **Sluit de accu niet kort:**

- (1) **Raak de accupolen niet aan met enig geleidend materiaal.**
- (2) **Bewaar de accu niet op een plaats waar deze in aanraking kan komen met andere metalen voorwerpen, zoals spijkers, munten, enz.**
- (3) **Stel de accu niet bloot aan water of regen. Kortsluiting van de accu kan leiden tot een hoge stroomsterkte, oververhitting, mogelijke brandwonden en zelfs een defect.**

6. **Bewaar het gereedschap en de accu niet op plaatsen waar de temperatuur kan oplopen tot 50 °C of hoger.**
7. **Werp de accu niet in een vuur, zelfs niet als deze al ernstig beschadigd of helemaal versleten is. De accu kan in een vuur exploderen.**
8. **Wees voorzichtig dat u de accu niet laat vallen of ergens tegenaan stoot.**
9. **Gebruik nooit een beschadigde accu.**

BEWAAR DEZE INSTRUCTIES.

Tips voor een lange levensduur van de accu

1. **Laad de accu op voordat deze volledig leeg is. Wanneer u merkt dat het gereedschap minder vermogen heeft, stopt u met het gebruik ervan en laadt u eerst de accu op.**
2. **Laad nooit een volledig opgeladen accu op. Te lang opladen verkort de levensduur van de accu.**
3. **Laad de accu op bij een omgevingstemperatuur van 10 °C tot 40 °C. Laat een warme accu eerst afkoelen voordat u deze oplaadt.**
4. **Laad de accu ieder half jaar op als u deze gedurende een lange tijd niet gebruikt.**

BESCHRIJVING VAN DE FUNCTIES

LET OP:

- Zorg ervoor dat het gereedschap is uitgeschakeld en dat de accu is verwijderd voordat u de werking van het gereedschap aanpast of controleert.

De accu aanbrengen en verwijderen (zie afb. 1)

LET OP:

- Schakel het gereedschap altijd uit voordat u de accu aanbrengt of verwijderd.
- Houd het gereedschap en de accu stevig vast tijdens het aanbrengen of verwijderen van de accu. Als u het gereedschap en de accu niet stevig vasthoudt, kunnen deze uit uw handen glippen en beschadigd raken, of kan persoonlijk letsel worden veroorzaakt.

Om de accu te verwijderen verschuift u de knop aan de voorkant van de accu en schuift u tegelijkertijd de accu eraf.

Om de accu aan te brengen, lijnt u de lip op de accu uit met de groef in de behuizing en duwt u de accu op zijn

plaats. Steek de accu zo ver mogelijk erin tot u een kliekgeluid hoort. Als u het rode deel aan de bovenkant van de knop kunt zien, is de accu niet goed aangebracht.

LET OP:

- Breng de accu altijd helemaal aan totdat het rode deel niet meer zichtbaar is. Als u dit niet doet, kan de accu per ongeluk uit het gereedschap vallen en u of anderen in uw omgeving verwonden.
- Breng de accu niet met kracht aan. Als de accu niet gemakkelijk erin kan worden geschoven, wordt deze niet goed aangebracht.

Accubeveiligingssysteem

Het gereedschap is uitgerust met een accubeveiligingssysteem. Dit systeem schakelt automatisch de voeding naar de motor uit om de levensduur van de accu te verlengen.

Het gereedschap zal tijdens gebruik automatisch stoppen wanneer het gereedschap en/of de accu zich in een van de volgende omstandigheden bevinden:

- **Overbelasting:**
Het gereedschap wordt gebruikt op een manier die ertoe leidt dat een abnormaal hoge stroomsterkte uit de accu wordt getrokken.
Laat in die situatie de aan/uit-schakelaar van het gereedschap los en stop het gebruik dat ertoe leidde dat het gereedschap overbelast werd. Knijp daarna opnieuw de aan/uit-schakelaar in om het gereedschap weer in te schakelen.
Als het gereedschap niet wordt ingeschakeld, is de accu oververhit. In die situatie laat u de accu eerst afkoelen voordat u opnieuw de aan/uit-schakelaar inknipt.
- **Lage accuspanning:**
De resterende acculading is te laag en het gereedschap wordt niet ingeschakeld. Verwijder in die situatie de accu en laad hem op.

OPMERKING:

De oververhittingsbeveiliging werkt alleen met een accu waarop het ster-merkteken staat (zie afb. 2).

Snelheidsregelaar (zie afb. 3)

De snelheid van het gereedschap kan worden ingesteld door de snelheidsregelaar te draaien. Als u de snelheidsregelaar in de richting van stand 5 draait, wordt de snelheid van het gereedschap hoger. Als u hem in de richting van stand 1 draait, wordt de snelheid lager.

OPMERKING:

- U kunt de snelheidsregelaar alleen tot aan het cijfer 5 draaien en terug naar 1. Forceer de regelaar niet voorbij de 5 of de 1 omdat de snelheidsregeling daardoor defect kan raken.
- Afhankelijk van het type en de toestand van het kitmateriaal, kan de duwstang verstopt raken bij gebruik op lage snelheid. In dat geval stelt u de snelheidsregelaar in op een hogere stand.

Waarschuwinglampje overbelasting (zie afb. 4)

Het waarschuwinglampje knippert rood wanneer het gereedschap overbelast is. Als het gereedschap een bepaald punt bereikt, blijft het lampje rood branden en

stopt het gereedschap. Om het gereedschap opnieuw te starten, laat u eerst de aan/uit-schakelaar los en knijpt u hem vervolgens weer in.

OPMERKING:

Wanneer het lampje knippert of brandt, controleert u de oorzaak van de overbelasting. Zet de snelheidsregelaar op een lagere instelling, of vergroot de diameter van de mondstukopening.

Werking van de aan/uit-schakelaar

⚠ LET OP:

- Controleer altijd, voordat u de accu in het gereedschap steekt, of de aan/uit-schakelaar op de juiste manier schakelt en weer terugkeert naar de uit-stand nadat deze is losgelaten.
- Wanneer u het gereedschap niet gebruikt, drukt u op de aan/uit-vergrendelknop vanaf de A-kant om de aan/uit-schakelaar te vergrendelen in de uit-stand (zie afb. 5).

Om te voorkomen dat de aan/uit-schakelaar per ongeluk wordt bediend, is het gereedschap voorzien van een aan/uit-vergrendelknop.

Om het gereedschap te starten, drukt u vanaf de B-kant op de aan/uit-vergrendelknop en knijpt u de aan/uit-schakelaar in. De draaisnelheid van het gereedschap neemt toe naarmate u meer druk uitoefent op de aan/uit-schakelaar. Laat de aan/uit-schakelaar los om het gereedschap te stoppen.

Na gebruik drukt u op de aan/uit-vergrendelknop vanaf de A-kant.

De lamp inschakelen

⚠ LET OP:

- Kijk niet rechtstreeks in het licht of naar de bron van de lamp (zie afb. 6).

Knijp de aan/uit-schakelaar in om de lamp op de voorkant in te schakelen. De lamp blijft branden zolang u de aan/uit-schakelaar ingeknepen houdt. Nadat de aan/uit-schakelaar is losgelaten gaat de lamp na ongeveer 10 seconden automatisch uit.

OPMERKING:

- Gebruik een doek om het vuil van de lens van de lamp te vegen. Wees voorzichtig de lens van de lamp niet te bekrassen om de lichtopbrengst niet te verlagen.
- Als het gereedschap oververhit raakt, begint de lamp te knipperen. Laat het gereedschap volledig afkoelen voordat u het weer gebruikt.

Antidruppelfunctie

Nadat de aan/uit-schakelaar is losgelaten, blijft de motor een korte tijd nadraaien. Deze functie heft de druk op het kitmateriaal op en voorkomt nadruppelen.

ONDERDELEN AANBRENGEN/ VERWIJDEREN

⚠ LET OP:

- Controleer altijd of het gereedschap is uitgeschakeld en de accu is verwijderd alvorens enige werkzaamheden aan het gereedschap te verrichten.
- Plaats het gereedschap altijd op de grond of op een werkbank wanneer u onderdelen aanbrengt of

verwijdert. Als het gereedschap niet stevig wordt vastgehouden, kan het uit balans raken en letsel veroorzaken.

De houdervoet aanbrengen (zie afb. 7)

Houd de houdervoet stevig tegen het gereedschap, plaats de plaat en bevestig het geheel stevig met de schroeven. Om de houdervoet te verwijderen, volgt u de bovenstaande procedure voor het aanbrengen in omgekeerde volgorde.

OPMERKING:

- Er zijn twee soorten houders (los verkrijgbaar): de korte houder (300 ml) en de lange houder (600 ml). Gebruik de geschikte houdervoet voor de te gebruiken houder.

De duwstang en zuiger aanbrengen (zie afb. 8 en 9)

Steek de duwstang in de sleuf van het gereedschap. Plaats de zuiger erop en zet hem vast met een schroef. Om de duwstang en de zuiger te verwijderen, volgt u de procedure voor het aanbrengen in omgekeerde volgorde.

KENNISGEVING:

- De tanden van de duwstang moeten omlaag gericht zijn.
- Er zijn drie soorten zuigers. Zuiger A voor gewone patronen. Zuiger B voor foliepatronen. Zuiger C voor directe vulling.
- Kies de geschikte zuiger overeenkomstig het te gebruiken soort patroon met kitmateriaal. Een verkeerde zuiger kan leiden tot lekkage van kitmateriaal of beschadiging van het gereedschap.
- Er zijn twee soorten duwstangen. De korte duwstang voor de korte houder (300 ml) en de lange duwstang voor de lange houder (600 ml). Gebruik de juiste duwstang overeenkomstig het soort houder.
- Houd de duwstang en zuiger altijd schoon. Opgedroogde kit kan het gereedschap beschadigen.

De houder aanbrengen (zie afb. 10 en 11)

Houd de onderkant van de houder en de houdervoet vast en draai daarna de houder rechtsom. Draai hem stevig vast tot hij stopt.

Controleer of de houder stevig vastgedraaid is. Anders kan het gereedschap worden beschadigd.

Om de houder te verwijderen, draait u hem linksom.

OPMERKING:

- U kunt de houder verdraaien al naar gelang de situatie vereist om het gebruik te vergemakkelijken.
- De korte houder (300 ml) is alleen bedoeld voor gewone patronen. Gebruik zuiger A alleen met een korte houder (300 ml) en gebruik hem niet met foliepatronen of bij directe vulling. Gebruik tevens de juiste duwstang overeenkomstig het soort houder.

De patroon aanbrengen

KENNISGEVING:

- Controleer of zuiger A is bevestigd aan de duwstang. Gebruik geen andere soort zuiger voor een gewone patroon.

De patroon aanbrengen in de korte houder (300 ml) (zie afb. 12)

Trek het handvat van de duwstang langzaam naar achteren tot hij stopt (zie afb. 13).

Plaats de patroon in de houder zoals afgebeeld.

Duw de stang voorzichtig erin tot de zuiger de onderkant van de patroon raakt.

Om de patroon te verwijderen, trekt u de duwstang naar achteren tot hij stopt en neemt u de patroon uit de houder.

De patroon aanbrengen in de lange houder (600 ml) (zie afb. 14)

Verwijder de houderkop vanaf de houder.

Trek het handvat van de duwstang langzaam naar achteren tot hij stopt (zie afb. 15).

Plaats de patroon in de houder.

Bevestig de houderkop. Controleer of hij stevig vastgedraaid is.

Duw de stang voorzichtig erin tot de zuiger de onderkant van de patroon raakt.

Om de patroon te verwijderen, verwijdert u de houderkop en neemt u de patroon uit de houder.

KENNISGEVING:

- Controleer de patroon altijd op een gaatje of beschadiging voordat u hem plaatst. Gebruik een beschadigde patroon niet omdat hierdoor het gereedschap kan worden beschadigd.
- Voordat u een gedeeltelijk opgebruikte patroon plaatst, verwijdert u eventueel opgedroogd materiaal vanaf de patroon.

Een foliepatroon plaatsen

KENNISGEVING:

- Controleer of zuiger B is bevestigd aan de duwstang. Gebruik geen andere soort zuiger voor een foliepatroon.
- Een foliepatroon kan worden aangebracht in de lange houder (600 ml).

Verwijder de houderkop, het mondstuk en de rubbering vanaf de houder.

Trek het handvat van de duwstang langzaam naar achteren tot hij stopt (zie afb. 16).

Snij de punt van de foliepatroon af.

Plaats de foliepatroon in de houder (zie afb. 17).

Bevestig de rubbering, het mondstuk en de houderkop.

Controleer of de houderkop stevig vastgedraaid is.

Duw de stang voorzichtig erin tot de zuiger de onderkant van de foliepatroon raakt.

OPMERKING:

- Controleer de foliepatroon altijd op een gaatje of beschadiging voordat u hem plaatst. Gebruik een beschadigde foliepatroon niet omdat hierdoor het gereedschap kan worden beschadigd.

Directe vulling

KENNISGEVING:

- Controleer of zuiger C is bevestigd aan de duwstang. Gebruik geen andere soort zuiger voor directe vulling.
- Directe vulling kan alleen worden uitgevoerd met de lange houder (600 ml).

Verwijder de houderkop, het mondstuk en de rubbering vanaf de houder.

Controleer of het handvat van de duwstang in de voorste stand is geplaatst.

Doop de mond van de houder in het kitmateriaal.

Trek het handvat van de duwstang langzaam naar achteren tot de benodigde hoeveelheid kitmateriaal in de houder is gezogen.

Bevestig de rubbering, het mondstuk en de houderkop.

Controleer of de houderkop stevig vastgedraaid is.

KENNISGEVING:

- Maak iedere dag na het werk de houder schoon met een geschikt oplosmiddel. Anders kan door opgedroogd kitmateriaal het gereedschap defect raken.

BEDIENING

⚠ LET OP:

- Raak de duwstang niet aan tijdens gebruik. Anders kan uw vinger bekneld raken tussen de duwstang en het gereedschapshuis.
- Draag altijd een veiligheidsbril tijdens gebruik.

KENNISGEVING:

- Bedek de ventilatieopeningen niet omdat anders het gereedschap oververhit en beschadigd kan raken.
- Als u de duwstang niet eruit kunt trekken, draait u de snelheidsregelaar naar stand 1 en knijpt u kort de aan/uit-schakelaar in. Probeer nadat de motor is gestopt opnieuw de duwstang eruit te trekken. Als de duwstang nog steeds vastzit, voert u dezelfde handelingen uit tot u de duwstang kunt bewegen.

Snij de punt van het mondstuk af zodat het geschikt is voor uw gebruik. Wees voorzichtig niet te veel van het mondstuk af te snijden. De diameter van de mondstukopening bepaalt hoeveel kitmateriaal eruit komt. Knijp de aan/uit-schakelaar in om kitmateriaal eruit te laten komen.

De hoeveelheid kitmateriaal die eruit komt wordt bepaald door de aan/uit-schakelaar, de snelheidsregelaar, de diameter van de mondstukopening, het soort kitmateriaal en de temperatuur.

Wij adviseren u de snelheidsregelaar in de stand 1 te zetten en de aan/uit-schakelaar in eerste instantie langzaam in te knijpen om te testen hoeveel kitmateriaal eruit komt.

Wanneer de duwstang de voorste stand heeft bereikt, begint de motor onbelast te draaien. In dat geval vervangt u de patroon.

OPMERKING:

Als er geen kitmateriaal uitkomt, controleert u de volgende punten:

- De punt van het mondstuk is niet goed afgesneden. Snij de punt van het mondstuk af zodat het geschikt is voor uw gebruik.
- Opgedroogd kitmateriaal verstopt het mondstuk. Verwijder het opgedroogde kitmateriaal.
- De patroon is beschadigd. Vervang de patroon.
- Het kitmateriaal is stijf. Verwarm het materiaal tot het zacht wordt.
- De verkeerde zuiger wordt gebruikt. Gebruik de juiste zuiger.

ONDERHOUD

ENG901-1

LET OP:

- Zorg er altijd voor dat de machine is uitgeschakeld en de accu is verwijderd, voordat u een inspectie of onderhoud uitvoert, behalve voor het oplossen van de volgende problemen met betrekking tot de lamp.
- Gebruik nooit benzine, wasbenzine, thinner, alcohol, enz. Dit kan leiden tot verkleuren, vervormen of barsten.
- Maak iedere dag na het werk de houder en de duwstang schoon. Verwijder al het kitmateriaal of lijm materiaal. Verwijder het kitmateriaal voordat het hard wordt. Achtergebleven kitmateriaal of lijm materiaal kan ertoe leiden dat het gereedschap defect raakt.

Om de VEILIGHEID en BETROUWBAARHEID van het gereedschap te handhaven, dienen alle reparaties, controle en vervanging van de koolborstels, onderhoud en afstellingen te worden uitgevoerd door een erkend Makita-servicecentrum, en altijd met gebruikmaking van originele Makita-vervangingsonderdelen.

VERKRIJGBARE ACCESSOIRES

LET OP:

- Deze accessoires of hulpstukken worden aanbevolen voor gebruik met het Makita-gereedschap dat in deze gebruiksaanwijzing wordt beschreven. Het gebruik van andere accessoires of hulpstukken kan gevaar voor persoonlijk letsel opleveren. Gebruik de accessoires of hulpstukken uitsluitend voor de aangegeven gebruiksdoeleinden.

Mocht u meer informatie willen hebben over deze accessoires, dan kunt u contact opnemen met uw plaatselijke Makita-servicecentrum.

- Zuiger A
- Zuiger B
- Zuiger C
- Set korte houder (300 ml)
- Set lange houder (600 ml)
- Mondstuk
- Veiligheidsbril
- Originele Makita-accu en -lader

OPMERKING:

- Sommige items op de lijst kunnen zijn inbegrepen in de doos van het gereedschap als standaard toebehoren. Zij kunnen van land tot land verschillen.

Geluid

ENG905-1

De typische, A-gewogen geluidsniveaus zijn gemeten volgens EN60745:

Geluidsdruk niveau (L_{pA}): 70 dB (A) of lager
Onzekerheid (K): 3 dB (A)

Het geluidsniveau kan tijdens gebruik hoger worden dan 80 dB (A)

Draag gehoorbescherming.

Trillingen

ENG900-1

De totale trillingswaarde (triaxiale vectorsom) zoals vastgesteld volgens EN60745:

Trillingsemisatie (a_h): 2,5 m/s² of minder
Onzekerheid (K): 1,5 m/s²

- De opgegeven trillingsemisiewaarde is gemeten volgens de standaardtestmethode en kan worden gebruikt om dit gereedschap te vergelijken met andere gereedschappen.
- De opgegeven trillingsemisiewaarde kan ook worden gebruikt voor een beoordeling vooraf van de blootstelling.

WAARSCHUWING:

- De trillingsemisatie tijdens het gebruik van het elektrisch gereedschap in de praktijk kan verschillen van de opgegeven trillingsemisiewaarde afhankelijk van de manier waarop het gereedschap wordt gebruikt.
- Zorg ervoor dat veiligheidsmaatregelen worden getroffen ter bescherming van de operator die zijn gebaseerd op een schatting van de blootstelling onder praktijkomstandigheden (rekening houdend met alle fasen van de bedrijfscyclus, zoals de tijdsduur gedurende welke het gereedschap is uitgeschakeld en stationair draait, naast de ingeschakelde tijdsduur).

Aleen voor Europese landen

ENG101-16

EU-verklaring van conformiteit

Wij, Makita Corporation, als de verantwoordelijke fabrikant, verklaren dat de volgende Makita-machine(s):

Aanduiding van de machine:

Accukitpistool

Modelnr./Type: BCG140 en BCG180

in serie zijn geproduceerd en

Voldoen aan de volgende Europese richtlijnen:

2006/42/EC

En zijn gefabriceerd in overeenstemming met de volgende normen of genormaliseerde documenten:

EN60745

De technische documentatie wordt bewaard door:

Makita International Europe Ltd.

Technical Department,

Michigan Drive, Tongwell,

Milton Keynes, Bucks MK15 8JD, Engeland

31. 7. 2012



Tomoyasu Kato

Directeur

Makita Corporation

3-11-8, Sumiyoshi-cho,

Anjo, Aichi, 446-8502 JAPAN

ESPAÑOL (Instrucciones originales)

Explicación de los dibujos

- | | | |
|--------------------------------|---------------------------|----------------------|
| 1. Indicador rojo | 6. Luz de advertencia | 11. Tapa del soporte |
| 2. Botón | 7. Palanca de bloqueo | 12. Anilla de goma |
| 3. Cartucho de la batería | 8. Interruptor disparador | 13. Boquilla |
| 4. Marca de estrella | 9. Lámpara | |
| 5. Dial de ajuste de velocidad | 10. Tirador | |

ESPECIFICACIONES

Modelo		BCG140		BCG180	
Fuerza máxima de avance		5.000 N			
Velocidad de avance		0 - 28 mm/s			
Carrera	con soporte corto (300 ml)	214 mm			
	con soporte largo (600 ml)	350 mm			
Longitud total	con soporte corto (300 ml)	404 mm			
	con soporte largo (600 ml)	538 mm			
Cartucho de batería estándar		BL1415	BL1430	BL1815	BL1830
Peso neto	con soporte corto (300 ml)	2,1 kg	2,2 kg	2,1 kg	2,3 kg
	con soporte largo (600 ml)	2,5 kg	2,6 kg	2,5 kg	2,7 kg
Tensión nominal		14,4 V CC		18 V CC	

- Debido a nuestro programa continuo de investigación y desarrollo, las especificaciones aquí descritas están sujetas a cambios sin previo aviso.
- Las especificaciones y el cartucho de la batería pueden variar de un país a otro.
- Peso, con el cartucho de la batería, de acuerdo con el procedimiento EPTA 01/2003

Uso previsto

ENE086-1

Esta herramienta se ha diseñado para aplicar material sellador a superficies.

5. Lea y siga las instrucciones del fabricante relativas al material sellador o al material adhesivo antes del uso.

Advertencias de seguridad generales para herramientas eléctricas

GEA010-1

⚠ ADVERTENCIA Lea todas las advertencias de seguridad y todas las instrucciones. La no observancia de las advertencias y las instrucciones puede provocar descargas eléctricas, incendios y/o lesiones graves.

Guarde todas las advertencias e instrucciones para futuras consultas.

ADVERTENCIAS DE SEGURIDAD DE LA PISTOLA INALÁMBRICA PARA APLICACIÓN DE SELLADOR

GEB106-1

1. Mantenga las manos y la ropa lejos del área de la varilla y el émbolo. De lo contrario, los dedos o la ropa pueden quedar atrapados.
2. Colóquese siempre en una posición bien equilibrada.
3. Sujete con fuerza la herramienta.
4. Trabaje siempre en una zona bien ventilada y utilice protecciones apropiadas para la operación que lleve a cabo.

GUARDE ESTAS INSTRUCCIONES.

⚠ ADVERTENCIA:

NO deje que la comodidad o la familiaridad con el producto (a base de utilizarlo repetidamente) sustituya la estricta observancia de las normas de seguridad del producto en cuestión. El MAL USO o la no observancia de las normas de seguridad expuestas en este manual de instrucciones pueden ocasionar graves daños corporales.

INSTRUCCIONES DE SEGURIDAD IMPORTANTES

ENC007-7

PARA EL CARTUCHO DE LA BATERÍA

1. Antes de utilizar el cartucho de la batería, lea todas las instrucciones y referencias de precaución que se encuentran en (1) el cargador de baterías, (2) la batería y (3) el producto que utiliza la batería.
2. No desmonte el cartucho de la batería.
3. Si el tiempo de funcionamiento es excesivamente corto, deje de utilizar la herramienta de inmediato. De lo contrario, existe el riesgo de sobrecalentamiento, quemaduras e incluso explosión.

4. Si se produce contacto ocular con electrolito, enjuáguese los ojos con agua limpia y acuda de urgencia al médico. Corre el riesgo de perder la visión.
5. No cortocircuite el cartucho de la batería:
 - (1) No toque los terminales con material conductor.
 - (2) Evite guardar el cartucho de la batería en un recipiente con otros objetos metálicos, como clavos, monedas, etc.
 - (3) No exponga el cartucho de la batería al agua o a la lluvia.

Un cortocircuito puede provocar un elevado flujo de corriente, sobrecalentamiento, quemaduras o incluso una avería.
6. No almacene la herramienta ni el cartucho de la batería en lugares donde la temperatura supere los 50°C (122°F).
7. No queme el cartucho de la batería aunque esté gravemente dañado o completamente gastado. El cartucho de la batería puede explotar si entra en contacto con fuego.
8. Procure que la batería no sufra golpes ni caídas.
9. No utilice una batería dañada.

GUARDE ESTAS INSTRUCCIONES.

Consejos para conseguir una mayor duración de la batería

1. Cargue la batería antes de que se descargue por completo.
Cuando observe que la herramienta tiene menos potencia, deje de utilizarla y cargue el cartucho de la batería.
2. No recargue nunca un cartucho de batería completamente cargado.
La sobrecarga acorta la vida útil de la batería.
3. Cargue el cartucho de la batería a una temperatura ambiente que oscile entre 10°C y 40°C (50°F - 104°F). Antes de cargar un cartucho de batería caliente, deje que se enfríe.
4. Cargue la batería una vez cada seis meses si no la utiliza durante un período de tiempo prolongado.

DESCRIPCIÓN DEL FUNCIONAMIENTO

⚠ PRECAUCIÓN:

- Antes de ajustar o de comprobar la herramienta, asegúrese siempre de que está apagada y de que la batería ha sido extraída.

Instalación o extracción del cartucho de la batería (Fig. 1)

⚠ PRECAUCIÓN:

- Apague siempre la herramienta antes de instalar o extraer el cartucho de la batería.
- Sujete la herramienta y el cartucho de la batería firmemente cuando instale o extraiga el cartucho de la batería. Si no sujeta la herramienta y el cartucho de la batería firmemente, pueden resbalar de sus manos y

se pueden provocar daños en la herramienta y el cartucho de la batería y lesiones personales.

Para quitar el cartucho de la batería, mantenga pulsado el botón de la parte frontal del cartucho y retírelo.

Para instalar el cartucho de la batería, alinee la lengüeta situada en el cartucho de la batería con la ranura del alojamiento e insértela. Insértelo completamente hasta que quede firmemente encajado con un clic. Si puede ver el indicador rojo de la zona superior del botón, significa que el cartucho no está encajado completamente.

⚠ PRECAUCIÓN:

- Instale siempre completamente el cartucho de la batería de forma que el indicador rojo quede oculto. De lo contrario, el cartucho puede desprenderse accidentalmente de la herramienta y causar lesiones al operario o a alguna persona que se encuentre cerca.
- No presione excesivamente el cartucho de la batería para instalarlo. Si el cartucho no entra con suavidad, significa que no lo está instalando correctamente.

Sistema de protección de la batería

La herramienta está equipada con un sistema de protección de la batería. Este sistema corta automáticamente la alimentación al motor para ampliar la duración de la batería.

El funcionamiento de la herramienta se detendrá automáticamente si la herramienta y/o la batería están sometidas a las siguientes condiciones:

- Sobrecarga:
La herramienta se utiliza de una forma que hace que consuma una cantidad anómalamente alta de corriente.
En ese caso, suelte el interruptor disparador de la herramienta y detenga la aplicación que provocaba que la herramienta se sobrecargara. A continuación, vuelva a accionar el interruptor disparador para reanudar las operaciones.
Si la herramienta no consigue ponerse en marcha, la batería se sobrecalienta. En tal caso, deje que la batería se enfríe antes de volver a accionar el interruptor disparador.
- Tensión de la batería baja:
La capacidad restante de la batería es demasiado baja y la herramienta no funcionará. En ese caso, extraiga y recargue la batería.

NOTA:

La protección contra el sobrecalentamiento solamente funciona con un cartucho de batería que tenga una marca de estrella. (Fig. 2)

Dial de ajuste de velocidad (Fig. 3)

La velocidad de la herramienta se puede ajustar girando el dial. Se obtendrá mayor velocidad cuando el dial se gire en la dirección del número 5; se obtendrá menor velocidad cuando se gire en la dirección del número 1.

NOTA:

- El dial de ajuste de velocidad puede girarse hasta 5 y de vuelta hasta 1 solamente. No lo fuerce más allá de 5 ó 1, o la función de ajuste de velocidad podrá dejar de funcionar.
- En función del tipo y el estado del material sellador, la varilla puede atascarse cuando se utiliza a baja

velocidad. En ese caso, ajuste en una posición superior el dial de ajuste de velocidad.

Luz de advertencia de sobrecarga (Fig. 4)

La luz de advertencia parpadea de color rojo cuando la herramienta está sobrecargada. Si la carga llega a algún punto, la luz sigue iluminada de color rojo y la herramienta se detiene. Para volver a poner en marcha la herramienta, suelte el interruptor disparador y vuelva a pulsarlo.

NOTA:

Compruebe la causa de la sobrecarga cuando la luz parpadee o se encienda. Cambie el parámetro de la velocidad ajustando el dial a una velocidad inferior o aumente el diámetro de la boquilla.

Acción del interruptor disparador

⚠ PRECAUCIÓN:

- Antes de insertar el cartucho de la batería en la herramienta, asegúrese siempre de que el interruptor disparador funciona como es debido y que vuelve a la posición "OFF" (apagado) al soltarlo.
- Cuando no utilice la herramienta, presione el botón de bloqueo del interruptor disparador del lado A para bloquear el interruptor disparador en la posición OFF. (Fig. 5)

Para evitar que el interruptor disparador se accione accidentalmente se proporciona un botón de bloqueo del interruptor disparador.

Para poner en marcha la herramienta, presione el botón de bloqueo del interruptor disparador del lado B y tire del interruptor disparador. La velocidad de la herramienta aumenta al incrementar la presión sobre el interruptor disparador. Suelte el interruptor disparador para detener la herramienta.

Después del uso, presione el botón de bloqueo del interruptor disparador del lado A.

Encender la lámpara

⚠ PRECAUCIÓN:

- No mire hacia la luz ni mire directamente hacia la fuente de luz. (Fig. 6)

Presione el interruptor disparador para encender la lámpara. La lámpara permanece encendida mientras se acciona el interruptor disparador. La lámpara se apaga aproximadamente 10 segundos después de soltar el interruptor disparador.

NOTA:

- Utilice un paño seco para limpiar la suciedad del cristal de la lámpara. Procure no rayar el cristal de la lámpara, puesto que puede disminuir el grado de iluminación.
- Si la herramienta se sobrecalienta, la luz parpadeará. Deje que la herramienta se enfríe antes de reanudar las operaciones.

Función de prevención de goteo

El motor sigue funcionando durante un breve intervalo de tiempo incluso después de soltar el interruptor disparador. Libera la presión del material sellador y evita el goteo.

MONTAJE

⚠ PRECAUCIÓN:

- Asegúrese siempre de apagar la herramienta y extraer el cartucho de la batería antes de intentar realizar cualquier tipo de operación en la herramienta.
- Coloque siempre la herramienta en el suelo o en un banco de trabajo cuando realice cualquier trabajo de montaje. Si la herramienta no se sujeta con firmeza puede caer y provocar lesiones.

Instalación de la unión del soporte (Fig. 7)

Acople la unión del soporte firmemente junto con la herramienta, coloque la placa y fíjelas firmemente con tornillos.

Para retirar la unión del soporte, siga el procedimiento anterior en orden inverso.

NOTA:

- Existen dos tipos de soportes (accesorio opcional), soporte corto (300 ml) y soporte largo (600 ml). Utilice la unión del soporte adecuada según convenga.

Instalación de la varilla y el pistón (Fig. 8 y 9)

Inserte la varilla en la hendidura de la herramienta.

Acople el pistón y apriételo con un tornillo.

Para extraer la varilla y el pistón, siga el procedimiento de instalación en orden inverso.

AVISO:

- Los dientes de la varilla deben mirar hacia abajo.
- Existen tres tipos de pistones. Pistón A para cartuchos. Pistón B para paquetes de tipo película. Pistón C para llenado directo.
- Elija el pistón apropiado en función del tipo de contenedor de material de sellado. Un pistón incorrecto puede provocar fugas o una rotura de la herramienta.
- Hay dos tipos de varillas. La varilla corta para el soporte corto (300 ml) y la varilla larga para el soporte largo (600 ml). Use una varilla adecuada para el tipo de soporte.
- Mantenga siempre la varilla y el pistón limpios. Si se adhiere material sellador se puede dañar la herramienta.

Instalación del soporte (Fig. 10 y 11)

Sujete la parte inferior del soporte y la unión del soporte, después gire el soporte en el sentido de las agujas del reloj. Apriételo firmemente hasta que se detenga.

Asegúrese de que el soporte esté firmemente apretado. De lo contrario, la herramienta se puede dañar.

Para extraer el soporte, gírelo en el sentido contrario a las agujas del reloj.

NOTA:

- Puede girar el soporte de acuerdo con las situaciones requeridas para facilitar la operación.
- El soporte corto (300 ml) se ha diseñado solamente para los cartuchos. Utilice solamente el pistón A con el soporte corto (300 ml) y no lo utilice con paquetes de tipo película o llenado directo. Asimismo, utilice una varilla adecuada para el tipo de soporte.

Instalación del cartucho

AVISO:

- Asegúrese de que el pistón A esté acoplado a la varilla. No utilice otro tipo de pistón para el cartucho.

Instalación del cartucho en el soporte corto (300 ml) (Fig. 12)

Tire del tirador hacia atrás lentamente hasta que se detenga. (Fig. 13)

Inserte el cartucho en el soporte tal y como se muestra en la ilustración.

Empuje suavemente la varilla hasta que el pistón toque la parte inferior del cartucho.

Para retirar el cartucho, tire de la varilla hacia atrás hasta que se detenga y después extraiga el cartucho.

Instalación del cartucho en el soporte largo (600 ml) (Fig. 14)

Extraiga la tapa del soporte.

Tire del tirador hacia atrás lentamente hasta que se detenga. (Fig. 15)

Inserte el cartucho en el soporte.

Acople la tapa del soporte. Asegúrese de esté firmemente apretado.

Empuje suavemente la varilla hasta que el pistón toque la parte inferior del cartucho.

Para retirar el cartucho, retire la tapa del soporte y después extraiga el cartucho.

AVISO:

- Compruebe siempre si el cartucho está pinchado o dañado antes de la instalación. No utilice un cartucho dañado, de lo contrario la herramienta se puede dañar.
- Cuando utilice un cartucho parcialmente usado, retire cualquier material adherido en el cartucho.

Instalación del paquete de tipo película

AVISO:

- Asegúrese de que el pistón B esté acoplado a la varilla. No utilice otro tipo de pistón para el paquete de tipo película.
- El paquete de tipo película solamente se puede instalar en el soporte largo (600 ml).

Retire la tapa del soporte, la boquilla y la anilla de goma del soporte.

Tire del tirador hacia atrás lentamente hasta que se detenga. (Fig. 16)

Recorte la punta del paquete de tipo película.

Inserte el paquete de tipo película en el soporte. (Fig. 17)

Acople la anilla de goma, la boquilla y la tapa del soporte. Asegúrese de que la tapa del soporte esté firmemente apretada.

Empuje suavemente la varilla hasta que el pistón toque la parte inferior del paquete de tipo película.

NOTA:

- Compruebe siempre si el paquete de tipo película está pinchado o dañado antes de la instalación. No utilice un paquete dañado, de lo contrario la herramienta se puede dañar.

Llenado directo

AVISO:

- Asegúrese de que el pistón C esté acoplado a la varilla. No utilice otro tipo de pistón para el llenado directo.
- El llenado directo solamente se puede realizar con el soporte largo (600 ml).

Retire la tapa del soporte, la boquilla y la anilla de goma del soporte.

Asegúrese de que el tirador se coloque en la posición de más hacia delante.

Sumerja la boca del soporte en el material de sellado.

Tire suavemente del tirador hasta que el soporte se llene con la cantidad necesaria de material de sellado.

Acople la anilla de goma, la boquilla y la tapa del soporte. Asegúrese de que la tapa del soporte esté firmemente apretada.

AVISO:

- Limpie el soporte con el disolvente adecuado después de cada día de trabajo. De lo contrario, el material sellador adherido puede provocar una rotura de la herramienta.

FUNCIONAMIENTO

⚠ PRECAUCIÓN:

- No toque la varilla durante las operaciones. De lo contrario, su dedo puede quedar atrapado entre la varilla y la carcasa de la herramienta.
- Utilice siempre gafas durante las operaciones.

AVISO:

- No cubra los orificios de ventilación, ya que se puede provocar un sobrecalentamiento y se puede dañar la herramienta.
- Si no puede extraer la varilla, coloque el dial de ajuste de velocidad en la posición 1, pulse el interruptor disparador durante un momento e intente extraer la varilla cuando se haya detenido el motor. Si la varilla sigue atascada, realice la misma acción hasta que la varilla se pueda mover.

Recorte la punta de la boquilla que sea adecuada para la operación individual. Tenga cuidado con la cantidad de boquilla que recorta. El diámetro de la boquilla está relacionado con la cantidad de material sellador que se dispensa.

Pulse el interruptor disparador para dispensar material de sellado.

La cantidad de material sellador que se dispensa está determinada por el interruptor disparador, el dial de ajuste de velocidad, el diámetro de la abertura de la boquilla, el tipo de material sellador y la temperatura.

Se recomienda ajusta el dial de ajuste de velocidad en "1" y tirar lentamente del interruptor disparador la primera vez para comprobar la cantidad de material sellador que se dispensa.

Cuando la varilla alcanza el extremo frontal, el motor funciona en vacío. Sustituya el material sellador cuando suceda esto.

NOTA:

Si no se dispensa el material de sellado, compruebe los siguientes elementos:

- La punta de la boquilla no se ha cortado correctamente. Corte la punta de la boquilla a un tamaño adecuado para la operación individual.
- El material endurecido obstruye la boquilla. Retire el material endurecido.
- El cartucho está dañado. Sustituya el cartucho.
- El material sellador es rígido. Caliente el material sellador hasta que se ablande.
- Se utiliza un pistón incorrecto. Utilice el pistón correcto.

MANTENIMIENTO

PRECAUCIÓN:

- Asegúrese de apagar siempre la herramienta y extraer el cartucho de la batería antes de intentar realizar cualquier trabajo de inspección o mantenimiento en ella, excepto para la siguiente solución de problemas relacionados con la luz.
- Nunca utilice gasolina, benceno, disolvente, alcohol o un producto similar. Se puede provocar una decoloración, una deformación o grietas.
- Limpie el soporte y la varilla después de cada día de trabajo. Manténgalos libres de material adhesivo. Retire el material sellador antes de que se endurezca. El material adhesivo restante puede provocar una rotura de la herramienta.

Para conservar la SEGURIDAD y la FIABILIDAD del producto, los trabajos de reparación, la inspección y la sustitución de las escobillas de carbón, así como otros trabajos de mantenimiento y ajuste, deberán ser realizados en centros de servicio autorizados de Makita, utilizando siempre piezas de repuesto de Makita.

ACCESORIOS OPCIONALES

PRECAUCIÓN:

- Se recomienda el uso de estos accesorios o complementos con la herramienta Makita especificada en este manual. El uso de otros accesorios o complementos puede conllevar el riesgo de ocasionar daños corporales. Utilice los accesorios o complementos solamente para su fin establecido.

Si necesita cualquier ayuda para obtener más información relativa a estos accesorios, pregunte a su centro de servicio Makita local.

- Pistón A
- Pistón B
- Pistón C
- Conjunto de soporte corto (300 ml)
- Conjunto de soporte largo (600 ml)
- Boquilla
- Gafas de seguridad
- Batería y cargador originales de Makita

NOTA:

- Algunos elementos de la lista se pueden incluir en el paquete de la herramienta como accesorios estándar. Pueden ser diferentes de un país a otro.

Ruido

ENG905-1

Niveles típicos de ruido ponderado A determinados conforme a EN60745:

Nivel de presión de sonido (L_{pA}): 70 dB (A) o menos
Incertidumbre (K): 3 dB (A)

El nivel de ruido durante el trabajo puede superar los 80 dB (A)

Utilice protección para los oídos.

Vibración

ENG900-1

Valor total de la vibración (suma de vectores triaxiales) determinado según el estándar EN60745:

Emisión de vibraciones (a_h): 2,5 m/s² o menos
Incertidumbre (K): 1,5 m/s²

ENG901-1

- El valor de emisión de vibraciones se ha medido de acuerdo con el método de prueba estándar y se puede utilizar para comparar herramientas.
- El valor de emisión de vibraciones declarado también se puede usar en una evaluación preliminar de la exposición.

ADVERTENCIA:

- La emisión de vibraciones durante el uso de la herramienta eléctrica puede diferir del valor de emisiones declarado, dependiendo de las formas en que se utiliza la herramienta.
- Asegúrese de identificar las mediciones correctas para proteger al operario, que se basan en una estimación de la exposición en condiciones de uso reales (teniendo en cuenta todas las partes del ciclo de operaciones, como los momentos en los que la herramienta está apagada y cuando funciona al ralentí además del tiempo en que está activado el interruptor).

Sólo para países europeos

ENH101-16

Declaración de conformidad de la CE

Nosotros, Makita Corporation, en calidad de fabricante responsable, declaramos que las siguientes máquinas Makita:

Designación de la máquina:

Pistola Inalámbrica para Aplicación de Sellador

Nº de modelo/ Tipo: BCG140, BCG180

son de producción serie y

Cumplen con las siguientes Directivas europeas:
2006/42/CE

Y se han fabricado de acuerdo con los siguientes estándares o documentos estandarizados:

EN60745

La documentación técnica la conserva:

Makita International Europe Ltd.

Technical Department,

Michigan Drive, Tongwell,

Milton Keynes, Bucks MK15 8JD, Inglaterra

31. 7. 2012



Tomoyasu Kato
Director

Makita Corporation
3-11-8, Sumiyoshi-cho,
Anjo, Aichi, 446-8502, JAPAN

PORTUGUÊS (Instruções de origem)

Descrição geral

- | | | |
|--|-------------------------|----------------------|
| 1. Indicador vermelho | 6. Luz de aviso | 11. Tampa do suporte |
| 2. Botão | 7. Alavanca de bloqueio | 12. Anel de borracha |
| 3. Bateria | 8. Gatilho | 13. Bocal |
| 4. Marca de estrela | 9. Lâmpada | |
| 5. Manípulo de regulação da velocidade | 10. Pega da haste | |

ESPECIFICAÇÕES

Modelo		BCG140		BCG180	
Força máx. de avanço		5.000 N			
Velocidade de avanço		0 – 28 mm/s			
Curso	com suporte curto (300 ml)	214 mm			
	com suporte longo (600 ml)	350 mm			
Comprimento total	com suporte curto (300 ml)	404 mm			
	com suporte longo (600 ml)	538 mm			
Bateria padrão		BL1415	BL1430	BL1815	BL1830
Peso líquido	com suporte curto (300 ml)	2,1 kg	2,2 kg	2,1 kg	2,3 kg
	com suporte longo (600 ml)	2,5 kg	2,6 kg	2,5 kg	2,7 kg
Tensão nominal		D.C.14,4 V		D.C.18 V	

- Devido à pesquisa e desenvolvimento constantes, estas especificações estão sujeitas a alteração sem aviso prévio.
- As especificações e o cartucho da bateria podem ser diferentes consoante o país.
- Peso, com a bateria, de acordo com o procedimento EPTA de 01/2003

Utilização destinada

ENE086-1

Esta ferramenta destina-se a aplicar material de calafetação em superfícies.

Avisos gerais de segurança para ferramentas eléctricas

GEA010-1

⚠ AVISO Leia todos os avisos de segurança e todas as instruções. O não cumprimento dos avisos e instruções pode resultar na ocorrência de choques eléctricos, incêndios e/ou ferimentos graves.

Guarde todos os avisos e instruções para referência futura.

AVISOS DE SEGURANÇA DA PISTOLA DE CALAFETAÇÃO A BATERIA

GEB106-1

1. Mantenha as mãos e as roupas afastadas da área da haste e do êmbolo. Caso contrário, os seus dedos ou roupas podem ficar presos.
2. Procure uma posição em pé estável e firme.
3. Segure bem na ferramenta.
4. Trabalhe sempre numa área bem ventilada e use protecções adequadas de acordo com a operação.
5. Leia e siga as instruções do fabricante sobre material de calafetação ou material adesivo antes da utilização.

GUARDE ESTAS INSTRUÇÕES.

⚠ AVISO:

NÃO deixe que o conforto ou familiaridade com o produto (obtida de uma utilização regular) substitua um cumprimento severo das regras de segurança do produto em causa. Uma UTILIZAÇÃO INCORRECTA ou não cumprimento das regras de segurança indicadas neste manual de instruções podem provocar ferimentos pessoais sérios.

INSTRUÇÕES DE SEGURANÇA IMPORTANTES

ENC007-7

RELATIVAS À BATERIA

1. Antes de utilizar a bateria, leia as instruções e chamadas de atenção de: (1) o carregador da bateria, (2) a bateria e (3) o produto que utiliza a bateria.
2. Não desmonte a bateria.
3. Se o tempo de utilização com a bateria se tornar demasiado curto, deve parar imediatamente. Se continuar, pode causar sobreaquecimento, incêndio e mesmo explosão.
4. Se o electrólito entrar em contacto com os olhos, enxágue-os com água limpa e consulte imediatamente um médico. Os riscos incluem perda de visão.
5. Não provoque um curto-circuito na bateria:
 - (1) Não deixe que quaisquer materiais condutores entrem em contacto com os terminais da bateria.

- (2) Evite guardar a bateria juntamente com outros objectos de metal como pregos, moedas, etc.
 - (3) Não exponha a bateria a água ou chuva. Um curto-circuito na bateria pode criar uma grande carga eléctrica, sobreaquecimento, fogo e uma quebra da corrente.
6. Não guarde a ferramenta e a bateria em locais onde a temperatura possa atingir ou exceder 50°C (122°F).
 7. Não incinere a bateria, nem mesmo se esta estiver irremediavelmente danificada ou completamente gasta. Pode explodir e causar um incêndio.
 8. Não a deixe cair e evite o choque com outros objectos.
 9. Não utilize uma bateria danificada.

GUARDE ESTAS INSTRUÇÕES.

Sugestões para o máximo de tempo de vida da bateria

1. Não espere que a bateria se gaste completamente para voltar a carregá-la. Pare a ferramenta e carregue a bateria sempre que detectar um baixo nível de energia.
2. Nunca volte a carregar uma bateria já completamente carregada. O carregamento excessivo diminui o tempo de vida das baterias.
3. Carregue a bateria em locais onde a temperatura se situe entre 10°C e 40°C (50°F - 104°F). Se a bateria estiver quente, deixe-a arrefecer antes de iniciar o carregamento.
4. Carregue a bateria uma vez a cada seis meses se não a utilizar durante um longo período.

DESCRIÇÃO DO FUNCIONAMENTO

⚠️ PRECAUÇÃO:

- Certifique-se sempre de que a ferramenta está desligada e que a bateria foi removida antes de proceder a ajustes ou testar acessórios.

Inserir ou retirar a bateria (Fig. 1)

⚠️ PRECAUÇÃO:

- Desligue sempre a ferramenta antes de instalar ou retirar a bateria.
- Segure bem a ferramenta e a bateria quando instalar ou retirar a bateria. Se não segurar bem a ferramenta e a bateria, pode fazer com que caiam das mãos e provoquem danos na ferramenta e na bateria e ferimentos pessoais.

Para retirar a bateria, mantenha premido o botão na frente da bateria e puxe.

Para colocar a bateria, alinhe a respectiva saliência com a calha do compartimento e encaixe-a suavemente. Insira-a completamente até fixar em posição com um clique. Se ainda estiver visível o indicador vermelho na parte superior do botão, não estará bem encaixado.

⚠️ PRECAUÇÃO:

- Instale sempre a bateria completamente, até deixar de ver o indicador vermelho. Caso contrário, pode cair da ferramenta e causar ferimentos em si, ou em alguém que esteja perto de si.
- Não instale a bateria forçosamente. Se não encaixar facilmente é porque não está correctamente posicionada.

Sistema de protecção da bateria

A ferramenta está equipada com um sistema de protecção da bateria. Este sistema corta automaticamente a alimentação para prolongar a vida útil da bateria.

A ferramenta pára automaticamente durante o funcionamento quando a ferramenta e/ou bateria são colocadas numa das condições seguintes:

- Sobrecarregada:
A ferramenta é utilizada de tal forma que atrai uma corrente vulgarmente alta. Nesta situação, solte o gatilho da ferramenta e pare a aplicação que causou a sobrecarga. De seguida, prima novamente o gatilho para reiniciar. Se a ferramenta não ligar, a bateria está sobreaquecida. Nesta situação, deixe a bateria arrefecer antes de premir novamente o gatilho.
- Tensão baixa da bateria:
A carga restante da bateria é demasiado baixa e a ferramenta não funciona. Nesta situação, retire e recarregue a bateria.

NOTA:

A protecção contra o sobreaquecimento apenas funciona com uma bateria com uma marca de estrela. (Fig. 2)

Manípulo de regulação da velocidade (Fig. 3)

A velocidade da ferramenta pode ser ajustada rodando o manípulo. É obtida uma velocidade mais elevada quando o manípulo é rodado na direcção do número 5, é obtida uma velocidade mais baixa quando é rodado na direcção do número 1.

NOTA:

- O manípulo de regulação da velocidade apenas pode ser rodado até 5 ou 1. Não o force para lá de 5 ou 1, caso contrário a função de regulação da velocidade poderá deixar de funcionar.
- Dependendo do tipo e estado do material de calafetação, a haste pode ficar obstruída ao funcionar a baixa velocidade. Nesse caso, aumente o parâmetro do manípulo de regulação da velocidade.

Luz de aviso de sobrecarga (Fig. 4)

A luz de aviso pisca a vermelho quando a ferramenta está sobrecarregada. Se a carga atingir um determinado ponto, a luz continua acesa a vermelho e a ferramenta pára. Para reiniciar a ferramenta, solte o gatilho e prima-o novamente.

NOTA:

Verifique o que causa a sobrecarga quando a luz pisca ou acende. Diminua o parâmetro do manípulo de regulação da velocidade ou aumente o diâmetro do bocal.

Acção do interruptor

PRECAUÇÃO:

- Antes de inserir a bateria na ferramenta, verifique se o gatilho está a funcionar correctamente e se regressa à posição “OFF” quando o solta.
- Quando não utilizar a ferramenta, prima o botão de bloqueio do gatilho do lado A para bloquear o gatilho na posição OFF. (Fig. 5)

Para evitar que o gatilho seja acidentalmente puxado, é fornecido um botão de bloqueio do gatilho.

Para iniciar a ferramenta, prima o botão de bloqueio do gatilho do lado B e prima o gatilho. A velocidade da ferramenta aumenta com a pressão exercida no gatilho. Para parar a ferramenta, solte o gatilho.

Após utilizar, prima o botão de bloqueio do gatilho do lado A.

Acender a lâmpada

PRECAUÇÃO:

- Não olhe directamente para a luz da ferramenta. (Fig. 6)

Para a acender prima o gatilho. A lâmpada manter-se-á acesa enquanto o gatilho for premido. A lâmpada apaga-se aproximadamente 10 segundos depois de o gatilho ser libertado.

NOTA:

- Para limpar a lâmpada, utilize um tecido seco. Tenha cuidado para não riscar a lente da lâmpada, pois poderia diminuir a intensidade da iluminação.
- Quando a ferramenta está sobreaquecida, a lâmpada pisca. Arrefeça por completo a ferramenta antes de voltar a utilizá-la.

Função de prevenção de gotas

O motor continua a funcionar durante um curto período de tempo após o gatilho ser libertado. Liberta a pressão do material de calafetação e impede o gotejamento.

MONTAGEM

PRECAUÇÃO:

- Certifique-se sempre de que a ferramenta está desligada e a bateria removida, antes de efectuar qualquer operação na ferramenta.
- Coloque sempre a ferramenta no chão ou bancada ao efectuar qualquer trabalho de montagem. Se não segurar bem na ferramenta pode perder o equilíbrio e causar ferimentos.

Instalar a junta do suporte (Fig. 7)

Instale bem a junta do suporte na ferramenta, coloque a placa e fixe-as com parafusos.

Para retirar a junta do suporte, siga o procedimento acima de forma inversa.

NOTA:

- Existem dois tipos de suportes (acessório opcional), suporte curto (300 ml) e suporte longo (600 ml). Utilize a junta do suporte adequada.

Instalar a haste e o pistão (Fig. 8 e 9)

Introduza a haste na ranhura da ferramenta.

Instale o pistão e aperte-o com um parafuso.

Para remover a haste e o pistão, siga o procedimento inverso de instalação.

ATENÇÃO:

- Os dentes na haste têm de estar virados para baixo.
- Existem três tipos de pistões. Pistão A para cartuchos. Pistão B para rolos de película. Pistão C para enchimento directo.
- Escolha o pistão adequado de acordo com o tipo de recipiente de material de calafetação. Um pistão incorrecto pode causar fugas ou avarias na ferramenta.
- Existem dois tipos de hastes. A haste curta para o suporte curto (300 ml) e a haste longa para o suporte longo (600 ml). Utilize a haste adequada de acordo com o tipo de suporte.
- Mantenha sempre a haste e o pistão limpos. O produto aderente pode danificar a ferramenta.

Instalar o suporte (Fig. 10 e 11)

Segure a parte inferior do suporte e a junta do suporte, de seguida, rode o suporte no sentido dos ponteiros do relógio. Aperte-o bem até parar.

Certifique-se de que o suporte está bem apertado. Caso contrário, a ferramenta pode ficar danificada.

Para remover o suporte, rode-o no sentido contrário aos ponteiros do relógio.

NOTA:

- Pode rodar o suporte de acordo com as situações necessárias para facilitar a operação.
- O suporte curto (300 ml) destina-se apenas a cartuchos. Utilize o pistão A com o suporte curto (300 ml) e não utilize com rolos de película ou enchimento directo. Utilize também a haste adequada de acordo com o tipo de suporte.

Instalar cartucho

ATENÇÃO:

- Certifique-se de que o pistão A está instalado na haste. Não utilize outro tipo de pistão para cartuchos.

Instalar o cartucho no suporte curto (300 ml) (Fig. 12)

Puxe a pega da haste para trás lentamente até parar. (Fig. 13)

Introduza o cartucho no suporte, conforme ilustrado.

Empurre suavemente a haste até o pistão tocar na parte inferior do cartucho.

Para remover o cartucho, puxe a haste para trás até parar, de seguida, retire o cartucho.

Instalar o cartucho no suporte longo (600 ml) (Fig. 14)

Remove a tampa do suporte do suporte.

Puxe a pega da haste para trás lentamente até parar. (Fig. 15)

Introduza o cartucho no suporte.

Instale a tampa do suporte. Certifique-se de que está bem apertado.

Empurre suavemente a haste até o pistão tocar na parte inferior do cartucho.

Para remover o cartucho, remova a tampa do suporte, de seguida, retire o cartucho.

ATENÇÃO:

- Inspeccione sempre o cartucho por furos ou danos antes de instalar. Não utilize um cartucho danificado, caso contrário, a ferramenta pode ficar danificada.
- Ao utilizar um cartucho parcialmente usado, remova qualquer material colado ao cartucho.

Instalar o rolo de película

ATENÇÃO:

- Certifique-se de que o pistão B está instalado na haste. Não utilize outro tipo de pistão para rolos de película.
- Os rolos de película só podem ser instalados no suporte longo (600 ml).

Remova a tampa do suporte, o bocal e o anel de borracha do suporte.

Puxe a pega da haste para trás lentamente até parar.

(Fig. 16)

Corte a ponta do rolo de película.

Introduza o rolo de película no suporte. (Fig. 17)

Instale o anel de borracha, o bocal e a tampa do suporte.

Certifique-se de que a tampa do suporte está bem apertada.

Empurre suavemente a haste até o pistão tocar na parte inferior do rolo de película.

NOTA:

- Inspeccione sempre o rolo de película por furos ou danos antes de instalar. Não utilize um rolo danificado, caso contrário, a ferramenta pode ficar danificada.

Enchimento directo

ATENÇÃO:

- Certifique-se de que o pistão C está instalado na haste. Não utilize outro tipo de pistão para o enchimento directo.
- O enchimento directo só pode ser efectuado com o suporte longo (600 ml).

Remova a tampa do suporte, o bocal e o anel de borracha do suporte.

Certifique-se de que a pega da haste está colocada na posição mais à frente.

Mergulhe a ponta do suporte no material de calafetação.

Puxe lentamente a pega da haste até a quantidade necessária de material de calafetação ser enchida no suporte.

Instale o anel de borracha, o bocal e a tampa do suporte.

Certifique-se de que a tampa do suporte está bem apertada.

ATENÇÃO:

- Limpe o suporte com solvente adequado após cada dia de trabalho. Caso contrário, o material de calafetação colado pode causar avarias na ferramenta.

FUNCIONAMENTO

⚠️ PRECAUÇÃO:

- Não toque na haste durante o funcionamento. Caso contrário, os dedos podem ficar presos entre a haste e o alojamento da ferramenta.
- Use sempre óculos durante a utilização.

ATENÇÃO:

- Não cubra as aberturas de ventilação, caso contrário, pode causar sobreaquecimento e danificar a ferramenta.
- Se não conseguir retirar a haste, rode o manípulo de regulação da velocidade para 1 e prima momentaneamente o gatilho e tente retirar a haste após o motor estar parado. Se a haste permanecer obstruída, efectue a mesma acção até a haste conseguir mover-se.

Corte a ponta do bocal adequado para utilização individual. Tenha cuidado para não cortar demasiado o bocal. O diâmetro do bocal afecta a quantidade de material de calafetação distribuído.

Prima o gatilho para distribuir material de calafetação.

A quantidade de material de calafetação distribuído é determinada pelo gatilho, o manípulo de regulação da velocidade, o diâmetro de abertura do bocal, tipo de material de calafetação e temperatura.

É aconselhável colocar o manípulo de regulação da velocidade na posição "1" e premir lentamente o gatilho na primeira vez para testar a quantidade de material de calafetação distribuído.

Quando a haste atinge o batente frontal, o motor fica ao ralenti. Substitua o material de calafetação quando isto acontecer.

NOTA:

Se o material de calafetação não for distribuído, verifique os itens seguintes:

- A ponta do bocal não está bem cortada. Corte a ponta do bocal correctamente para utilização individual.
- O material endurecido fica obstruído no bocal. Retire o material endurecido.
- O cartucho está danificado. Substitua o cartucho.
- O material de calafetação é rígido. Aqueça o material até ficar mole.
- É utilizado o pistão errado. Utilize o pistão adequado.

MANUTENÇÃO

⚠️ PRECAUÇÃO:

- Certifique-se sempre de que a ferramenta está desligada e a bateria removida antes de efectuar operações de inspecção ou de manutenção, excepto para as seguintes resoluções de problemas relacionadas com a luz.
- Nunca utilize gasolina, benzina, diluente, álcool ou semelhante. Podem formar-se descolorações, deformações ou fissuras.
- Limpe o suporte e a haste após cada dia de trabalho. Mantenha-os isentos de material colado. Retire o material de calafetação antes de endurecer. O restante material colado pode causar avarias na ferramenta.

Para manter os níveis de SEGURANÇA e FIABILIDADE, as reparações, inspecção e substituição das escovas de carvão e outras operações de manutenção ou ajuste devem ser executadas por centros de assistência Makita autorizados e, no caso de substituição de peças, estas devem ser igualmente peças originais Makita.

ACESSÓRIOS OPCIONAIS

PRECAUÇÃO:

- Os seguintes acessórios ou extensões são os recomendados para utilizar com a ferramenta Makita especificada neste manual. A utilização de quaisquer outros acessórios poderá representar um risco de ferimento para as pessoas. Apenas utilize o acessório para o fim indicado.

Se precisar de informações adicionais relativas aos acessórios, contacte o centro local de assistência Makita.

- Pistão A
- Pistão B
- Pistão C
- Conjunto de suporte curto (300 ml)
- Conjunto de suporte longo (600 ml)
- Bocal
- Óculos protectores
- Bateria e carregador genuínos da Makita

NOTA:

- Alguns itens na lista podem estar incluídos no pacote de ferramentas como acessórios de série. Podem diferir de país para país.

Ruído

ENG905-1

O nível de ruído ponderado A típico determinado, de acordo com EN60745:

Nível de pressão sonora (L_{pA}): 70 dB (A) ou menos
Incerteza (K): 3 dB (A)

O nível de ruído quando em funcionamento pode exceder os 80 dB (A)

Use protecção ocular.

Vibração

ENG900-1

O valor total de vibração (soma vector triaxial) determinado, de acordo com EN60745:

Emissão de vibrações (a_h): 2,5 m/s² ou menos
Incerteza (K): 1,5 m/s²

ENG901-1

- O valor da emissão de vibração declarado foi medido de acordo com o método de teste padrão e pode ser utilizado para comparar uma ferramenta com outra.
- O valor da emissão de vibração declarado pode também ser utilizado numa avaliação preliminar de exposição.

AVISO:

- A emissão de vibração durante a utilização real da ferramenta eléctrica pode ser diferente do valor de emissão declarado, dependendo da forma como a ferramenta é utilizada.
- Certifique-se de que identifica medidas de segurança, para proteger o operador, que são baseadas numa estimativa de exposição nas condições reais de utilização (tendo em conta todas as partes do ciclo de funcionamento, como as vezes que a ferramenta é desligada e quando está a trabalhar ao ralenti, além do tempo de utilização).

Apenas para países europeus

ENH101-16

Declaração de conformidade CE

Nós, a Makita Corporation, como fabricante responsável, declaramos que a(s) máquina(s) Makita seguinte(s):

Designação da máquina:

Pistola de Calafetação a Bateria

Nº/Tipo de modelo: BCG140, BCG180

são de produção em série e

Está em conformidade com as directivas europeias seguintes:

2006/42/EC

E são fabricadas de acordo com as normas e documentos padronizados seguintes:

EN60745

A documentação técnica é mantida por:

Makita International Europe Ltd.

Technical Department,

Michigan Drive, Tongwell,

Milton Keynes, Bucks MK15 8JD, Inglaterra

31. 7. 2012



Tomoyasu Kato

Director

Makita Corporation

3-11-8, Sumiyoshi-cho,

Anjo, Aichi, 446-8502, JAPAN

DANSK (Originalvejledning)

Forklaring til generel oversigt

- | | | |
|--------------------------------------|--------------------|------------------|
| 1. Rød indikator | 6. Advarselslampe | 11. Holderdæksel |
| 2. Knap | 7. Låsehåndtag | 12. Gummiring |
| 3. Batteripakke | 8. Afbryderkontakt | 13. Dyse |
| 4. Stjernemærkning | 9. Lampe | |
| 5. Drejeknap til hastighedsjustering | 10. Stanghåndtag | |

SPECIFIKATIONER

Model		BCG140		BCG180	
Maks. fremførselskraft		5.000 N			
Fremførselshastighed		0 - 28 mm/s			
Slaglængde	med kort (300 ml) holder	214 mm			
	med lang (600 ml) holder	350 mm			
Længde i alt	med kort (300 ml) holder	404 mm			
	med lang (600 ml) holder	538 mm			
Standard batteripakke		BL1415	BL1430	BL1815	BL1830
Nettovægt	med kort (300 ml) holder	2,1 kg	2,2 kg	2,1 kg	2,3 kg
	med lang (600 ml) holder	2,5 kg	2,6 kg	2,5 kg	2,7 kg
Nominel spænding		14,4 V DC		18 V DC	

- På grund af vores løbende forsknings- og udviklingsprogram kan specifikationerne heri ændres uden forudgående varsel.
- Specifikationerne og batteripakken kan variere fra land til land.
- Vægt, inklusive batteripakken, i henhold til EPTA-Procedure 01/2003

Tilsigtet brug

ENE086-1

Denne maskine er beregnet til påførsel af fugemateriale til overflader.

Generelle sikkerhedsadvarsler for maskiner

GEA010-1

⚠ ADVARSEL Læs alle sikkerhedsadvarsler og alle instruktioner. Hvis De ikke følger alle advarsler og instruktioner, kan det medføre elektrisk stød, brand og/eller alvorlig personskade.

Gem alle advarsler og instruktioner til senere reference.

SIKKERHEDSADVARSLER FOR LEDNINGSFRI FUGEPISTOL

GEB106-1

1. Hold hænder og tøj væk fra stangen og pressestempelområdet. Ellers kan fingre eller tøj muligvis komme i klemme.
2. Sørg altid for at have et solidt fodfæste.
3. Hold godt fast i maskinen.
4. Arbejd altid i områder med god ventilation og anvend korrekt beskyttelse i henhold til arbejdet.
5. Læs og overhold producentens instruktioner angående fugematerialer eller klæbemidler inden brug.

GEM DISSE INSTRUKTIONER.

⚠ ADVARSEL:

LAD IKKE tryk eller kendskab til produktet (fra gentagen brug) føre til, at du ikke strengt overholder sikkerhedsreglerne for det gældende produkt. MISBRUG eller manglende overholdelse af sikkerhedsreglerne i denne brugsanvisning kan medføre alvorlig personskade.

VIGTIGE SIKKERHEDSINSTRUKTIONER

ENC007-7

FOR BATTERIPAKKEN

1. Før brugen af batteripakken skal du læse alle instruktioner og advarsler på (1) batteriopladeren, (2) batteriet og (3) det produkt, som batteriet anvendes i.
2. Skil ikke batteripakken ad.
3. Hvis driftstiden bliver betydeligt kortere, skal du straks ophøre med brugen. Brug kan medføre risiko for overophedning, risiko for forbrændinger eller endog eksplosion.
4. Hvis du får elektrolyt i øjnene, skal du med det samme rense øjnene med rent vand og søge læge. Dette kan medføre tab af synet.
5. Kortslut ikke batteripakken:
 - (1) Undgå at røre ved terminalerne med ledende materiale.
 - (2) Undgå at opbevare batteripakken i en beholder med andre metalgenstande som f.eks. søm, mønter osv.

- (3) Udsæt ikke batteripakken for vand eller regn. Hvis batteriet kortsluttes, kan det medføre voldsom strøm, overophedning, mulige forbrændinger og endog nedbrud.
6. Undgå at opbevare værktøjet og batteripakken på steder, hvor temperaturen kan komme op på eller overstige 50°C.
 7. Sæt ikke ild til batteripakken, selvom den er alvorligt beskadiget eller helt udtjent. Batteripakken kan eksplodere ved brand.
 8. Undgå at tabe eller slå på batteriet.
 9. Undlad brug af et beskadiget batteri.

GEM DISSE INSTRUKTIONER.

Tips til, hvordan du forlænger batteriets levetid

1. Oplad batteripakken, før den bliver helt afladet. Ophør med at bruge værktøjet, og udskift batteripakken, hvis strømmen til værktøjet aftager.
2. Oplad aldrig en fuldt opladet batteripakke. Overopladning forkorter batteriets levetid.
3. Oplad batteripakken ved stuetemperatur på 10°C - 40°C. Lad batteripakken køle ned før den oplades, hvis den er varm.
4. Oplad batteripakken en gang hver sjette måned, hvis du ikke bruger det i lang tid.

FUNKTIONSBESKRIVELSE

⚠ FORSIGTIG:

- Sørg altid for, at værktøjet er slukket, og at batteripakken er taget ud, før du justerer værktøjet eller kontrollerer dets funktion.

Montering eller afmontering af batteripakken (Fig. 1)

⚠ FORSIGTIG:

- Sluk altid for værktøjet inden montering eller afmontering af batteripakken.
- Hold godt fast i værktøjet og batteripakken, når du monterer eller afmonterer batteripakken. Hvis værktøjet og batteripakken ikke holdes ordentligt fast, kan de glide ud af hænderne og resultere i skader på værktøjet og batteripakken samt personskade.

Afmonter batteripakken ved at holde ned på knappen foran på batteripakken og skubbe den af værktøjet. Ved montering af batteripakken justeres tungen på batteripakken med rillen i huset, hvorefter pakken skubbes på plads. Sæt den hele vejen ind, indtil den låses på plads med et lille klik. Hvis den røde indikator øverst på knappen er synlig, er batteripakken ikke låst helt fast.

⚠ FORSIGTIG:

- Sæt altid batteripakken helt ind, indtil den røde indikator ikke længere er synlig. Ellers kan den falde ud af værktøjet og skade dig eller andre personer i nærheden.
- Anvend ikke kræfter ved monteringen af batteripakken. Hvis den ikke glider let ind, er den ikke indsat korrekt.

Batteribeskyttelsessystem

Værktøjet er udstyret med et beskyttelsessystem. Dette system slukker automatisk for strømmen til motoren for at forlænge batterilevetiden.

Værktøjet stopper automatisk under anvendelsen, hvis værktøjet og/eller batteriet udsættes for en af de følgende situationer:

- Overbelastning:
Værktøjet anvendes på en sådan måde, at det får det til at bruge unormalt meget strøm. I denne situation skal du slippe afbryderkontakten på værktøjet og stoppe den anvendelse, som gjorde værktøjet overbelastet. Tryk derefter ind på afbryderkontakten for starte igen. Hvis værktøjet ikke starter, er batteriet overbelastet. I denne situation skal du lade batteriet køle af, inden du trykker ind på afbryderkontakten igen.
- Lav batterispænding:
Den resterende batterikapacitet er for lav, og værktøjet kan ikke køre. I denne situation skal du afmontere og oplade batteriet.

BEMÆRK:

Overophedningsbeskyttelsen fungerer kun med en batteripakke med en stjernemærkning. (Fig. 2)

Drejeknap til hastighedsjustering (Fig. 3)

Værktøjets hastighed kan justeres ved at dreje på drejeknappen. Der opnås en højere hastighed ved at dreje drejeknappen mod tallet 5, og der opnås en lavere hastighed ved at dreje drejeknappen mod tallet 1.

BEMÆRK:

- Drejeknappen til hastighedsjustering kan kun drejes op til 5 og tilbage til 1. Prøv ikke at tvinge den forbi 5 eller 1, da hastighedsjusteringen ellers kan gå i stykker.
- Afhængigt af fugematerialets type og tilstand kan stangen muligvis blive tilstoppet, når der anvendes lav hastighed. Hvis dette sker, skal du indstille drejeknappen til hastighedsjustering højere.

Advarselslampe for overbelastning (Fig. 4)

Advarselslampen blinker rødt, når værktøjet er overbelastet. Hvis belastningen når et vist punkt, forbliver lampen med at lyse rødt, og værktøjet stopper. For at genstarte værktøjet skal du slippe afbryderen og trykke på afbryderen igen.

BEMÆRK:

Kontroller hvad der forårsager overbelastningen, når lampen blinker eller lyser. Sæt parameteret for drejeknappen til hastighedsjustering lavere, eller forøg dysens diameter.

Betjening af kontakt

⚠ FORSIGTIG:

- Før batteripakken sættes i værktøjet, skal du altid kontrollere, at afbryderkontakten reagerer korrekt og vender tilbage i "OFF"-positionen, når du slipper den.
- Når du ikke anvender værktøjet, skal du skubbe afbryderlåseknapen fra A-siden for at låse afbryderkontakten i OFF-positionen. (Fig. 5)

En afbryderlåseknap forhindrer, at der trykkes på afbryderkontakten ved et uheld. Værktøjet startes ved at skubbe afbryderlåseknappen fra B-siden og trykke på afbryderkontakten. Værktøjets hastighed forøges ved at trykke hårdere på afbryderkontakten. Slip afbryderkontakten for at stoppe. Efter brug trykkes ind på afbryderlåseknappen fra A-siden.

Tænding af lampen

FORSIGTIG:

- Se ikke direkte ind i lyset eller lyskilden. (Fig. 6)
- Tryk på afbryderkontakten for at tænde lampen. Lampen forbliver tændt, så længe der trykkes på afbryderkontakten. Lampen slukker ca. 10 sekunder efter, at afbryderkontakten slippes.

BEMÆRK:

- Benyt en tør klud til at tørre snavs af lampens linse. Pas på ikke at ridse lampens linse, da det kan mindske lysstyrken.
- Lampen blinker, når værktøjet er overophedet. Lad værktøjet køle helt af, inden det anvendes igen.

Drypforhindrengsfunktion

Motoren bliver ved med at køre i et kort stykke tid, selv efter afbryderen er sluppet. Det frigiver trykket på fugematerialet og forhindrer drypning.

MONTERING

FORSIGTIG:

- Sørg altid for, at værktøjet er slukket, og at batteripakken er taget ud, før du udfører nogen form for arbejde på værktøjet.
- Placer altid værktøjet på jorden eller arbejdsbænken, når du udfører monteringsarbejde. Hvis der ikke holdes ordentligt fast i værktøjet, kan du muligvis miste balancen, hvilket kan forårsage tilskadekomst.

Montering af holderleddet (Fig. 7)

Monter holderleddet ordentligt langs værktøjet, indstil pladen og fastgør dem med skruer. Følg fremgangsmåden i omvendt rækkefølge for at afmontere holderleddet.

BEMÆRK:

- Der er to typer holdere (ekstraudstyr), en kort holder (300 ml) og en lang holder (600 ml). Anvend det holderled som passer.

Montering af stang og stempel (Fig. 8 og 9)

Sæt stangen ind gennem åbningen i værktøjet. Monter stemplet og stram det med en skrue. Følg fremgangsmåden til montering i omvendt rækkefølge for at afmontere stangen og stemplet.

BEMÆRK:

- Tænderne på stangen skal pege nedad.
- Der er tre typer stempler. Stempel A til kassetter. Stempel B til filtypepakker. Stempel C til direkte fyldning.

- Vælg det passende stempel i overensstemmelse med fugematerialebeholderens type. Et forkert stempel kan muligvis medføre lækage eller beskadigelse af værktøjet.
- Der er to typer stænger. Den korte stang til den korte holder (300 ml) og den lange stang til den lange holder (600 ml). Anvend den passende stang i henhold til holdertype.
- Sørg altid for at holde stang og stempel rene. Fastsiddende fugemasse kan beskadige værktøjet.

Montering af holder (Fig. 10 og 11)

Hold i bunden af holderen og holderleddet, og drej derefter holderen med uret. Stram den ordentligt indtil den stopper.

Sørg for, at holderen er strammet ordentligt. Ellers kan værktøjet tage skade.

For at fjerne holderen skal du dreje den mod urets retning.

BEMÆRK:

- Du kan dreje holderen i overensstemmelse med de nødvendige situationer for at lette anvendelsen.
- Den korte holder (300 ml) er beregnet kun til kassetter. Brug kun stempel A sammen med den korte holder (300 ml) og brug den ikke sammen med filtypepakker eller direkte fyldning. Brug også den passende stang i henhold til holdertypen.

Installation af kassette

BEMÆRK:

- Sørg for, at stemplet A er fastgjort til stangen. Brug ikke nogen anden type stempel til kassetter.

Installation af kassetten i den korte holder (300 ml) (Fig. 12)

Træk stanghåndtaget langsomt tilbage, indtil det stopper. (Fig. 13)

Sæt kassetten ind i holderen som illustreret.

Tryk forsigtigt på stangen, indtil stemplet rører bunden af kassetten.

For at fjerne kassetten skal du trække stangen tilbage indtil den stopper, og derefter løfte den ud af kassetten.

Installation af kassetten i den lange holder (600 ml) (Fig. 14)

Fjern holderdækslet fra holderen.

Træk stanghåndtaget langsomt tilbage, indtil det stopper. (Fig. 15)

Sæt kassetten ind i holderen.

Monter holderdækslet. Sørg for, at den er strammet ordentligt.

Tryk forsigtigt på stangen, indtil stemplet rører bunden af kassetten.

For at fjerne kassetten skal du fjerne holderdækslet, og derefter tage kassetten ud.

BEMÆRK:

- Kontroller altid kassetten for punktering eller skader inden installation. Brug ikke beskadigede kassetter, ellers kan værktøjet muligvis tage skade.
- Når du anvender en delvist brugt kassette, skal du fjerne alt det materiale, der sidder fast på kassetten.

Installation af en filmtypepakke

BEMÆRK:

- Sørg for, at stemplet B er fastgjort til stangen. Brug ikke nogen anden type stempel til filmtypepakker.
- Filmtypepakker kan kun installeres i den lange holder (600 ml).

Fjern holderdækslet, dysen og gummiringen fra holderen. Træk stanghåndtaget langsomt tilbage, indtil det stopper. (Fig. 16)

Skær spidsen af filmtypepakken.

Sæt filmtypepakken ind i holderen. (Fig. 17)

Fastgør gummiringen, dysen og holderdækslet. Sørg for, at holderdækslet er strammet ordentligt.

Tryk forsigtigt på stangen, indtil stemplet rører bunden af filmtypepakken.

BEMÆRK:

- Kontroller altid filmtypepakken for punktering eller skader inden installation. Brug ikke beskadigede pakker, ellers kan værktøjet muligvis tage skade.

Direkte fyldning

BEMÆRK:

- Sørg for, at stemplet C er fastgjort til stangen. Brug ikke nogen anden type stempel til direkte fyldning.
- Direkte fyldning kan kun udføres med den lange holder (600 ml).

Fjern holderdækslet, dysen og gummiringen fra holderen. Sørg for at stanghåndtaget er placeret i den allerførreste position.

Dyp holderens mundung ned i fugematerialet.

Træk langsomt stanghåndtaget tilbage, indtil der er fyldt den nødvendige mængde fugemateriale ind i holderen.

Fastgør gummiringen, dysen og holderdækslet. Sørg for, at holderdækslet er strammet ordentligt.

BEMÆRK:

- Rengør holderen med et passende opløsningsmiddel hver dag efter arbejde. Ellers kan det fastsiddende fugemateriale muligvis forårsage beskadigelse af værktøjet.

BETJENING

⚠ FORSIGTIG:

- Rør ikke ved stangen under anvendelsen. Ellers kan du få fingeren i klemme mellem stangen og værktøjshuset.
- Bær altid beskyttelsesbriller under anvendelsen.

BEMÆRK:

- Tildæk ikke udluftningshuller, da det kan medføre overophedning og beskadige værktøjet.
- Hvis du ikke kan trække stangen ud, skal du dreje drejeknappen til hastighedsjustering hen på 1, trykke på afbryderkontakten et øjeblik, og forsøge at trække stangen ud efter motoren er stoppet. Hvis stangen stadig sidder fast, skal du udføre den samme handling, indtil stangen er i stand til at flytte sig.

Skær spidsen af dysen, så det passer til den enkelte anvendelse. Pas på du ikke skærer for meget af dysen. Dysens diameter påvirker den mængde fugemateriale, der doseres.

Tryk på afbryderkontakten for at dosere fugemateriale.

Den mængde fugemateriale, der doseres, bestemmes af afbryderkontakten, drejeknappen til hastighedsjustering, diameteren på dyseåbningen, typen af fugemateriale og temperaturen.

Det anbefales, at drejeknappen til hastighedsjustering er sættes til "1", og du første gang trykker langsomt på afbryderkontakten for at kontrollere, hvor meget fugemateriale der doseres.

Når stangen når den forreste ende, begynder motoren at gå i tomgang. Forny fugematerialet når dette sker.

BEMÆRK:

Hvis der ikke doseres fugemateriale, skal du kontrollere følgende punkter:

- Dysens spids er ikke skåret tilstrækkeligt. Skær tilstrækkeligt af dysens spids, så den passer til den enkelte anvendelse.
- Hærdede materialer sætter sig fast i dysen. Fjern det hærdede materiale.
- Kassetten er beskadiget. Udskift kassetten.
- Fugematerialet er stift. Varm materialet, indtil det bliver blødt.
- Der anvendes det forkerte stempel. Anvend det rigtige stempel.

VEDLIGEHOLDELSE

⚠ FORSIGTIG:

- Sørg altid for, at værktøjet er slukket, og at batteripakken er taget ud, før du forsøger at udføre inspektion eller vedligeholdelse undtagen ved følgende fejlfinding, der er relateret til lyset.
- Brug aldrig benzin, benzen, fortynder, alkohol eller lignende. Det kan muligvis medføre misfarvning, deformation eller revner.
- Rengør holderen og stangen hver dag efter arbejde. Hold dem fri for klæbemidler. Fjern fugematerialet inden det hærdner. Tilbageværende klæbemiddel kan muligvis medføre beskadigelse af værktøjet.

For at holde produktet SIKKERT og PÅLIDELIGT skal reparationer, kontrol og udskiftning af kulbørsterne samt al anden vedligeholdelse eller justering udføres af autoriserede Makita-servicecentre, der altid benytter Makita-reservedele.

EKSTRAUDSTYR

⚠ FORSIGTIG:

- Dette tilbehør eller ekstraudstyr anbefales til brug med det Makita-værktøj, som er beskrevet i denne brugsanvisning. Brug af andet tilbehør eller ekstraudstyr kan forårsage personskade. Brug kun tilbehør eller ekstraudstyr til det formål, det er beregnet til.

Henvend dig til dit lokale Makita-servicecenter, hvis du har brug for hjælp eller yderligere oplysninger vedrørende tilbehøret.

- Stempel A
- Stempel B
- Stempel C
- Kort holder (300 ml)-sæt
- Lang holder (600 ml)-sæt
- Dyse
- Sikkerhedsbriller
- Originalt batteri og oplader fra Makita

BEMÆRK:

- Visse dele på listen er muligvis indeholdt maskinindpakningen som standardtilbehør. De kan variere fra land til land.

Støj ENG905-1

Det typiske A-vægtede støjniveau bestemt i overensstemmelse med EN60745:

Lydtryksniveau (L_{pA}): 70 dB (A) eller mindre

Usikkerhed (K): 3 dB (A)

Støjniveauet under arbejdet kan overskride 80 dB (A)

Bær høreværn.**Vibration** ENG900-1

Den samlede vibrationsværdi (treaksiel vektorsum) bestemt i overensstemmelse med EN60745:

Vibrationsemission (a_h): 2,5 m/s² eller mindre

Usikkerhed (K): 1,5 m/s²

ENG901-1

- Den opgivne vibrationsemissionsværdi er målt i overensstemmelse med standardtestmetoden og kan bruges til at sammenligne et værktøj med et andet.
- Den opgivne vibrationsemissionsværdi kan muligvis også bruges til en indledende eksponeringsvurdering.

⚠ ADVARSEL:

- Vibrationsemissionen under den faktiske brug af maskinen kan afvige fra den opgivne emissionsværdi afhængigt af den måde, maskinen anvendes på.
- Sørg for at bestemme sikkerhedsforanstaltninger for beskyttelse af operatøren, som er baseret på en eksponeringsvurdering for brug under faktiske forhold (hvor alle anvendelsescyklussens dele inddrages, som f.eks. antal gange maskinen slukkes, og når den kører i tomgang ud over triggertiden).

Kun for europæiske lande ENH101-16**EF-overensstemmelseserklæring****Vi, Makita Corporation, erklærer som ansvarlig producent at følgende Makita-maskine(r):**

Maskinens betegnelse:

Ledningsfri fugepistol

Modelnummer/ type: BCG140, BCG180

er en produktionsserie og

Overholder følgende europæiske direktiver:

2006/42/EF

Og er produceret i overensstemmelse med følgende standarder eller standardiserede dokumenter:

EN60745

Den tekniske dokumentation findes hos:

Makita International Europe Ltd.

Technical Department,

Michigan Drive, Tongwell,

Milton Keynes, Bucks MK15 8JD, England

31. 7. 2012



Tomoyasu Kato

Direktør

Makita Corporation

3-11-8, Sumiyoshi-cho,

Anjo, Aichi, 446-8502, JAPAN

ΕΛΛΗΝΙΚΑ (Πρωτογενείς οδηγίες)

Περιγραφή γενικής όψης

- | | | |
|---------------------------------|---------------------------|---------------------------|
| 1. Κόκκινη ένδειξη | 6. Προειδοποιητική λυχνία | 11. Καπάκι στηρίγματος |
| 2. Κουμπί | 7. Μοχλός κλειδώματος | 12. Λαστιχένιος δακτύλιος |
| 3. Κασέτα μπαταρίας | 8. Σκανδάλη-διακόπτης | 13. Ακροφύσιο |
| 4. Ένδειξη άστρου | 9. Λυχνία | |
| 5. Επιλογέας ρύθμισης ταχύτητας | 10. Λαβή ράβδου | |

ΠΡΟΔΙΑΓΡΑΦΕΣ

Μοντέλο		BCG140		BCG180	
Μέγ. ισχύς πρόωσης		5.000 N			
Ταχύτητα πρόωσης		0 - 28 mm/s			
Διαδρομή	με κοντό στήριγμα (300 ml)	214 mm			
	με μακρύ στήριγμα (600 ml)	350 mm			
Ολικό μήκος	με κοντό στήριγμα (300 ml)	404 mm			
	με μακρύ στήριγμα (600 ml)	538 mm			
Τυπική κασέτα μπαταρίας		BL1415	BL1430	BL1815	BL1830
Καθαρό βάρος	με κοντό στήριγμα (300 ml)	2,1 kg	2,2 kg	2,1 kg	2,3 kg
	με μακρύ στήριγμα (600 ml)	2,5 kg	2,6 kg	2,5 kg	2,7 kg
Ονομαστική τιμή τάσης		D.C.14,4 V		D.C.18 V	

- Λόγω του συνεχόμενου προγράμματος που εφαρμόζουμε για έρευνα και ανάπτυξη, τα τεχνικά χαρακτηριστικά στο παρόν έντυπο υπόκεινται σε αλλαγή χωρίς προειδοποίηση.
- Τα τεχνικά χαρακτηριστικά και η μπαταρία ενδέχεται να διαφέρουν από χώρα σε χώρα.
- Βάρος μαζί με την μπαταρία σύμφωνα με τη διαδικασία της ΕΡΤΑ 01/2003

Προοριζόμενη χρήση

ENE086-1

Το εργαλείο αυτό προορίζεται για την τοποθέτηση σιλικονόχου υλικού πάνω σε επιφάνεια.

5. Διαβάστε και ακολουθήστε τις οδηγίες του κατασκευαστή σχετικά με το σιλικονόχο ή κολλητικό υλικό πριν τη χρήση.

Γενικές Προειδοποιήσεις Ασφαλείας Του Ηλεκτρικού Εργαλείου

GEA010-1

⚠️ ΠΡΟΕΙΔΟΠΟΙΗΣΗ Διαβάστε όλες τις προειδοποιήσεις ασφαλείας και όλες τις οδηγίες. Αν δεν ακολουθήσετε όλες τις προειδοποιήσεις και τις οδηγίες, υπάρχει κίνδυνος ηλεκτροπληξίας, πυρκαγιάς ή/και σοβαρού τραυματισμού.

Φυλάξτε όλες τις προειδοποιήσεις και τις οδηγίες για μελλοντική αναφορά.

ΠΡΟΕΙΔΟΠΟΙΗΣΕΙΣ ΑΣΦΑΛΕΙΑΣ ΠΙΣΤΟΛΙΟΥ ΣΙΛΙΚΟΝΗΣ ΜΠΑΤΑΡΙΑΣ

GEB106-1

1. Κρατήστε τα χέρια και τα ρούχα μακριά από τη ράβδο και την περιοχή του εμβόλου. Διαφορετικά ενδέχεται να πιαστεί το δάκτυλο ή ο ρουχισμός σας.
2. Να βεβαιώνετε πάντοτε ότι στέκεστε σταθερά.
3. Να κρατάτε το εργαλείο σταθερά.
4. Πάντοτε να εργάζεστε σε καλά αεριζόμενο χώρο και να φοράτε κατάλληλο προστατευτικό εξοπλισμό ανάλογα με την εργασία.

ΦΥΛΑΞΤΕ ΑΥΤΕΣ ΤΙΣ ΟΔΗΓΙΕΣ.

⚠️ ΠΡΟΕΙΔΟΠΟΙΗΣΗ:

ΜΗΝ επιτρέψετε στη βολικότητα ή στην εξοικειωσή σας με το προϊόν (που αποκτήθηκε από επανειλημμένη χρήση) να αντικαταστήσει την αυστηρή προσήλωση στους κανόνες ασφαλείας του εν λόγω προϊόντος. Η **ΛΑΝΘΑΣΜΕΝΗ ΧΡΗΣΗ** ή η μη τήρηση των κανόνων ασφαλείας που διατυπώνονται στο παρόν εγχειρίδιο οδηγιών μπορεί να προκαλέσει σοβαρό τραυματισμό.

ΣΗΜΑΝΤΙΚΕΣ ΟΔΗΓΙΕΣ ΑΣΦΑΛΕΙΑΣ

ENC007-7

ΓΙΑ ΤΗΝ ΜΠΑΤΑΡΙΑ

1. Πριν χρησιμοποιήσετε την μπαταρία, διαβάστε όλες τις οδηγίες και τις ενδείξεις προφύλαξης στο (1) φορτιστή μπαταρίας, (2) την μπαταρία και (3) το προϊόν στο οποίο χρησιμοποιείται η μπαταρία.
2. Μην αποσυναρμολογείτε την μπαταρία.
3. Αν ο χρόνος λειτουργίας της μπαταρίας είναι υπερβολικά σύντομος, διακόψτε αμέσως τη λειτουργία. Αν συνεχίσει, μπορεί να έχει ως αποτέλεσμα τον κίνδυνο υπερθέρμανσης, πιθανών εγκαυμάτων και ακόμη έκρηξης.

4. **Αν μπει στα μάτια σας ηλεκτρολύτης, ξεπλύνετε με καθαρό νερό και αναζητήστε αμέσως ιατρική βοήθεια. Μπορεί να χάσετε την όρασή σας.**
5. **Μη βραχυκυκλώνετε την μπαταρία:**
 - (1) **Μην αγγίζετε τους ακροδέκτες με αγώγιμο υλικό.**
 - (2) **Μην αποθηκεύετε την μπαταρία σε δοχείο με άλλα μεταλλικά αντικείμενα, όπως καρφιά, νομίσματα, κτλ.**
 - (3) **Μην εκθέτετε την μπαταρία σε νερό ή βροχή. Αν βραχυκυκλωθεί η μπαταρία, μπορεί να προκληθεί μεγάλη ροή ηλεκτρικού ρεύματος, υπερθέρμανση, πιθανά εγκαύματα και ακόμη και καταστροφή της μπαταρίας.**
6. **Μην αποθηκεύετε το εργαλείο και την μπαταρία σε μέρη όπου η θερμοκρασία μπορεί να φτάσει ή να ξεπεράσει τους 50°C (122°F).**
7. **Μην αποτεφρώνετε την μπαταρία ακόμη κι αν παρουσιάζει σοβαρή ζημιά ή είναι εντελώς φθαρμένη. Η μπαταρία μπορεί να εκραγεί σε φωτιά.**
8. **Να προσέχετε να μη σας πέσει η μπαταρία και να μη συγκρουστεί με κάποιο αντικείμενο.**
9. **Μη χρησιμοποιείτε μια μπαταρία που έχει υποστεί βλάβη.**

ΦΥΛΑΞΤΕ ΑΥΤΕΣ ΤΙΣ ΟΔΗΓΙΕΣ.

Συμβουλές για τη διατήρηση της μέγιστης ζωής της μπαταρίας

1. **Να φορτίζετε την μπαταρία πριν αποφορτιστεί εντελώς.**
Πάντοτε να διακόπτετε τη λειτουργία του εργαλείου και να φορτίζετε την μπαταρία όταν παρατηρείται μειωμένη ισχύ του εργαλείου.
2. **Ποτέ μην επαναφορτίζετε μια πλήρως φορτισμένη μπαταρία.**
Αν υπερφορτίσετε την μπαταρία, μειώνεται η ωφέλιμη διάρκεια ζωής της.
3. **Να φορτίζετε την μπαταρία σε θερμοκρασία δωματίου, δηλαδή στους 10°C έως 40°C (50°F έως 104°F).** Αν η μπαταρία είναι θερμή, αφήστε την να ψυχθεί πριν τη φορτίσετε.
4. **Να φορτίζετε την κασέτα μπαταρία μια φορά κάθε έξι μήνες όταν δεν τη χρησιμοποιείτε για μεγάλο χρονικό διάστημα.**

ΠΕΡΙΓΡΑΦΗ ΛΕΙΤΟΥΡΓΙΑΣ

⚠ ΠΡΟΣΟΧΗ:

- Να βεβαιώνετε πάντοτε ότι έχετε σβήσει το εργαλείο και έχετε βγάλει την κασέτα μπαταρίας πριν ρυθμίσετε ή ελέγξετε κάποια λειτουργία του εργαλείου.

Τοποθέτηση ή αφαίρεση της κασέτας μπαταρίας (Εικ. 1)

⚠ ΠΡΟΣΟΧΗ:

- Πάντοτε να απενεργοποιείτε το εργαλείο πριν από την τοποθέτηση ή την αφαίρεση της κασέτας μπαταρίας.
- Κρατήστε το εργαλείο και την κασέτα μπαταρίας γερά κατά την τοποθέτηση ή την αφαίρεση της κασέτας μπαταρίας. Εάν δεν κρατήσετε το εργαλείο και την κασέτα μπαταρία καλά μπορεί να γλιστρήσουν από τα

χέρια σας και να προκληθεί ζημιά στο εργαλείο και στην κασέτα μπαταρίας αλλά και προσωπικός τραυματισμός.

Για να βγάλετε την κασέτα μπαταρίας, σύρετε την από το εργαλείο ολισθαίνοντας το κουμπί στο μπροστινό μέρος της κασέτας.

Για να τοποθετήσετε την κασέτα μπαταρίας, ευθυγραμμίστε τη γλωττίδα της κασέτας μπαταρίας με την εγκοπή στο περιβλήμα και ολισθήστε τη στη θέση της.

Τοποθετήστε τη έως το τέρμα, δηλαδή έως ότου ασφαλίσει στη θέση και ακουστεί ένας χαρακτηριστικός ήχος “κλικ”. Αν μπορείτε να δείτε την κόκκινη ένδειξη στην πάνω πλευρά του κουμπιού, η μπαταρία δεν είναι πλήρως ασφαλισμένη.

⚠ ΠΡΟΣΟΧΗ:

- Πάντοτε να τοποθετείτε πλήρως την κασέτα μπαταρίας για να μη φαίνεται η κόκκινη ένδειξη. Σε αντίθετη περίπτωση, μπορεί να πέσει κατά λάθος από το εργαλείο και να τραυματίσει εσάς ή κάποιον παρευρισκόμενο.
- Μην εισάγετε με τη βία την κασέτα μπαταρίας. Αν η κασέτα δεν ολισθαίνει με ευκολία, δεν την εισαγάγετε σωστά.

Σύστημα προστασίας μπαταρίας

Το εργαλείο είναι εφοδιασμένο με ένα σύστημα προστασίας μπαταρίας. Αυτό το σύστημα διακόπτει αυτόματα το ρεύμα στον κινητήρα για να παρατείνεται η διάρκεια ζωής της μπαταρίας.

Το εργαλείο θα σταματήσει αυτόματα κατά τη λειτουργία όταν το εργαλείο και/ή η μπαταρία υποστούν τις παρακάτω συνθήκες:

- Υπερφόρτιση:
Το εργαλείο λειτουργεί με τρόπο που προκαλεί την καταπόνηση ασυνήθιστα υψηλής ποσότητας ρεύματος.
Στην περίπτωση αυτή, ελευθερώστε σκανδάλη-διακόπτης του εργαλείου και σταματήστε την εφαρμογή που προκάλεσε την υπερφόρτιση του εργαλείου. Στη συνέχεια, τραβήξτε τη σκανδάλη-διακόπτης ξανά για επανεκκίνηση.
Εάν το εργαλείο δεν ξεκινά, η μπαταρία έχει υπερθερμανθεί. Στην περίπτωση αυτή, αφήστε την μπαταρία να κρυώσει πριν τραβήξετε τη σκανδάλη-διακόπτης ξανά.
- Χαμηλή τάση της μπαταρίας:
Η εναπομένουσα ποσότητα ρεύματος της μπαταρίας είναι πολύ χαμηλή και το εργαλείο δεν θα λειτουργήσει. Σε αυτήν την περίπτωση, αφαιρέστε και επαναφορτίστε τη μπαταρία.

ΣΗΜΕΙΩΣΗ:

Η προστασία από την υπερθέρμανση λειτουργεί μόνο με μια κασέτα μπαταρίας που έχει την ένδειξη άστρου. (Εικ. 2)

Επιλογέας ρύθμισης ταχύτητας (Εικ. 3)

Η ταχύτητα του εργαλείου μπορεί να ρυθμιστεί περιστρέφοντας τον επιλογέα. Λαμβάνετε υψηλότερη ταχύτητα όταν περιστρέψετε τον επιλογέα προς την κατεύθυνση του αριθμού 5, ενώ λαμβάνετε χαμηλότερη ταχύτητα όταν περιστρέψετε τον επιλογέα προς την κατεύθυνση του αριθμού 1.

ΣΗΜΕΙΩΣΗ:

- Ο επιλογέας ρύθμισης ταχύτητας έχει τη δυνατότητα να περιστρέφεται έως το 5 και ξανά στο 1. Μην τον εξαναγκάζετε πέρα από το 5 ή το 1, αλλιώς μπορεί να μη λειτουργεί πλέον η ρύθμιση ταχύτητας.
- Ανάλογα με τον τύπο και την κατάσταση του σιλικονούχου υλικού, η ράβδος μπορεί να βουλώσει κατά τη λειτουργία σε χαμηλές ταχύτητες. Στην περίπτωση αυτή προσαρμόστε τον επιλογέα ρύθμισης ταχύτητας υψηλότερα.

Προειδοποιητική λυχνία υπερφόρτωσης (Εικ. 4)

Η προειδοποιητική λυχνία αναβοσβήνει στο κόκκινο χρώμα όταν το εργαλείο είναι υπερφορτωμένο. Αν το φορτίο φθάσει σε κάποιο σημείο, η λυχνία σταματά να αναβοσβήνει στο κόκκινο και το εργαλείο σταματά. Για να επανεκκινήσετε το εργαλείο, αφήστε τη σκανδάλη και τραβήξτε τη σκανδάλη και πάλι.

ΣΗΜΕΙΩΣΗ:

Ελέγξτε ποια είναι η αιτία της υπερφόρτωσης όταν η λυχνία αναβοσβήνει ή ανάβει. Αλλάξτε προς το χαμηλότερο την παράμετρο του επιλογέα ρύθμισης ταχύτητας, ή αυξήστε τη διάμετρο του ακροφυσιού.

Δράση διακοπής

⚠ ΠΡΟΣΟΧΗ:

- Πριν την τοποθέτηση της μπαταρίας στο εργαλείο, πάντοτε να ελέγχετε ότι η σκανδάλη-διακοπής ενεργοποιείται κανονικά και επιστρέφει στη θέση "OFF" όταν την αφήνετε.
- Όταν το εργαλείο δεν βρίσκεται σε λειτουργία, πιέστε το κουμπί ασφάλισης από την πλευρά "Α" για να κλειδώσετε τη σκανδάλη-διακοπής στη θέση OFF. (Εικ. 5)

Για να μην πιέσετε τη σκανδάλη-διακοπής κατά λάθος, παρέχεται ένα κουμπί ασφάλισης της σκανδάλης. Για να ξεκινήσετε τη λειτουργία του εργαλείου, πιέστε το κουμπί ασφάλισης από την πλευρά Β και πιέστε τη σκανδάλη-διακοπής. Αν αυξήσετε την πίεση στη σκανδάλη-διακοπής, αυξάνεται η ταχύτητα του εργαλείου. Για να σταματήσετε το εργαλείο, αφήστε τη σκανδάλη-διακοπής. Μετά τη χρήση, πιέστε προς τα μέσα το κουμπί ασφάλισης από την πλευρά Α.

Αναμμα της λυχνίας

⚠ ΠΡΟΣΟΧΗ:

- Μην κοιτάτε κατευθείαν μέσα στο φως ή στην πηγή του φωτός. (Εικ. 6)
- Πιέστε τη σκανδάλη-διακοπής για να ανάψετε τη λυχνία. Η λυχνία εξακολουθεί να είναι αναμμένη όσο πιέζετε τη σκανδάλη-διακοπής. Το φως σβήνει αυτόματα 10 δευτερόλεπτα αφού αφήσετε τη σκανδάλη-διακοπής.

ΣΗΜΕΙΩΣΗ:

- Χρησιμοποιήστε ένα στεγνό πανί για να σκουπίσετε τη σκόνη από το φακό της λυχνίας. Προσέχετε να μη γρατσουνιάτε το φακό της λυχνίας, επειδή μπορεί να μειωθεί η ένταση του φωτισμού.

- Όταν υπερφορτώνεται το εργαλείο κατά τη λειτουργία, η λυχνία αναβοσβήνει. Αφήστε να κρυώσει εντελώς το εργαλείο πριν το λειτουργήσετε ξανά.

Λειτουργία πρόληψης σταξίματος

Ο κινητήρας συνεχίζει να λειτουργεί για ένα σύντομο χρονικό διάστημα ακόμη και μετά την απελευθέρωση της σκανδάλης. Αυτό απελευθερώνει την πίεση από το σιλικονούχο υλικό και αποτρέπει το στάξιμο.

ΣΥΝΑΡΜΟΛΟΓΗΣΗ

⚠ ΠΡΟΣΟΧΗ:

- Να βεβαιώνετε πάντοτε ότι έχετε σβήσει το εργαλείο και έχετε βγάλει την κασέτα μπαταρίας πριν εκτελέσετε οποιαδήποτε εργασία σε αυτό.
- Τοποθετείτε πάντοτε το εργαλείο στο έδαφος ή στον πάγκο εργασίας κατά την εκτέλεση οποιωνδήποτε εργασιών συναρμολόγησης. Αν το εργαλείο δεν κρατιέται σφικτά μπορεί να χάσει την ισορροπία του και να προκαλέσει ζημιά.

Τοποθέτηση της ένωσης του στηρίγματος (Εικ. 7)

Προσαρτήστε σταθερά την ένωση του στηρίγματος κατά μήκος του εργαλείου, τοποθετήστε την πλάκα και στερεώστε τα σφικτά με τις βίδες. Για να αφαιρέσετε την ένωση του στηρίγματος, ακολουθήστε την παραπάνω διαδικασία με αντίστροφη σειρά.

ΣΗΜΕΙΩΣΗ:

- Υπάρχουν δύο τύποι στηριγμάτων (προαιρετικό αξεσουάρ), το κοντό στηρίγμα (300 ml) και το μακρύ στηρίγμα (600 ml). Χρησιμοποιήστε αναλόγως την κατάλληλη ένωση του στηρίγματος.

Τοποθέτηση ράβδου και εμβόλου (Εικ. 8 και 9)

Εισάγετε τη ράβδο μέσα στη σχισμή του εργαλείου. Στερεώστε το έμβολο και σφίξτε το με μία βίδα. Για να αφαιρέσετε τη ράβδο και το έμβολο, ακολουθήστε αντιστρόφως τη διαδικασία τοποθέτησης.

ΕΙΔΟΠΟΙΗΣΗ:

- Τα δόντια της ράβδου πρέπει να δείχνουν προς τα κάτω.
- Υπάρχουν τρεις τύποι εμβόλων. Έμβολο Α για φυσίγγια. Έμβολο Β για κασέτες τύπου φιλμ. Έμβολο C για άμεση πλήρωση.
- Επιλέξτε το κατάλληλο έμβολο σύμφωνα με τον τύπο του περιέκτη του σιλικονούχου υλικού. Αν το έμβολο είναι ακατάλληλο μπορεί να προκαλέσει διαρροή ή θραύση του εργαλείου.
- Υπάρχουν δύο τύποι ράβδων. Η κοντή ράβδος για το κοντό στηρίγμα (300 ml), και η μακριά ράβδος για το μακρύ στηρίγμα (600 ml). Χρησιμοποιήστε την κατάλληλη ράβδο σύμφωνα με τον τύπο του στηρίγματος.
- Να κρατάτε πάντα τη ράβδο και το έμβολο καθαρά. Η κολλημένη σιλικόνη μπορεί να προκαλέσει βλάβη στο εργαλείο.

Τοποθέτηση του στηρίγματος (Εικ. 10 και 11)

Κρατήστε το κάτω μέρος του στηρίγματος και την ένωση του στηρίγματος και στη συνέχεια, περιστρέψτε το στηρίγμα δεξιόστροφα. Σφίξτε το καλά μέχρι να σταματήσει.

Βεβαιωθείτε ότι το στηρίγμα έχει σφίξει καλά. Διαφορετικά μπορεί να προκληθεί βλάβη στο εργαλείο.

Για να αφαιρέσετε το στηρίγμα, περιστρέψτε το αριστερόστροφα.

ΣΗΜΕΙΩΣΗ:

- Μπορείτε να περιστρέψετε το στηρίγμα σύμφωνα με τις απαιτούμενες συνθήκες για να διευκολυνθεί η εργασία.
- Το κοντό στηρίγμα (300 ml) προορίζεται για τα φυσιγγία μόνο. Χρησιμοποιήστε το έμβολο Α μόνο με το κοντό στηρίγμα (300 ml) και μην το χρησιμοποιείτε με κασέτες τύπου φιλμ ή για άμεση πλήρωση. Επίσης, χρησιμοποιήστε την κατάλληλη ράβδο σύμφωνα με τον τύπο του στηρίγματος.

Τοποθέτηση της κασέτας

ΕΙΔΟΠΟΙΗΣΗ:

- Βεβαιωθείτε ότι το έμβολο Α είναι στερεωμένο στη ράβδο. Μη χρησιμοποιήσετε άλλο τύπο εμβόλου για το φυσιγγίο.

Τοποθέτηση του φυσιγγίου στο κοντό στηρίγμα (300 ml) (Εικ. 12)

Τραβήξτε τη λαβή της ράβδου αργά προς τα πίσω έως ότου σταματήσει. (Εικ. 13)

Εισάγετε το φυσιγγίο στο στηρίγμα όπως απεικονίζεται. Σπρώξτε τη ράβδο απαλά έως ότου το έμβολο ακουμπήσει στο κάτω μέρος του φυσιγγίου.

Για να αφαιρέσετε το φυσιγγίο, τραβήξτε τη ράβδο προς τα πίσω μέχρι να σταματήσει, στη συνέχεια ανασηκώστε το φυσιγγίο.

Τοποθέτηση του φυσιγγίου στο μακρύ στηρίγμα (600 ml) (Εικ. 14)

Αφαιρέστε το καπάκι του στηρίγματος από το στηρίγμα.

Τραβήξτε τη λαβή της ράβδου αργά προς τα πίσω έως ότου σταματήσει. (Εικ. 15)

Εισάγετε το φυσιγγίο στο στηρίγμα.

Προσαρτήστε το κάλυμμα του στηρίγματος. Βεβαιωθείτε ότι είναι καλά σφικμένο.

Σπρώξτε τη ράβδο απαλά έως ότου το έμβολο ακουμπήσει στο κάτω μέρος του φυσιγγίου.

Για να αφαιρέσετε το φυσιγγίο, αφαιρέστε το καπάκι του στηρίγματος, και στη συνέχεια, βγάλτε το φυσιγγίο.

ΕΙΔΟΠΟΙΗΣΗ:

- Να ελέγχετε πάντα το φυσιγγίο για ύπαρξη τρυπήματος ή ζημιάς πριν την εγκατάσταση. Μην χρησιμοποιήσετε ένα κατεστραμμένο φυσιγγίο, διαφορετικά το εργαλείο μπορεί να υποστεί ζημιά.
- Όταν χρησιμοποιείτε ένα μερικώς χρησιμοποιημένο φυσιγγίο, αφαιρέστε οποιοδήποτε κολλημένο υλικό στο φυσιγγίο.

Τοποθέτηση κασέτας τύπου φιλμ

ΕΙΔΟΠΟΙΗΣΗ:

- Βεβαιωθείτε ότι το έμβολο Β είναι στερεωμένο στη ράβδο. Μη χρησιμοποιήσετε άλλο τύπο εμβόλου για την κασέτα τύπου φιλμ.
- Η κασέτα τύπου φιλμ μπορεί να εγκατασταθεί μόνο στο μακρύ στηρίγμα (600 ml).

Αφαιρέστε το καπάκι του στηρίγματος, το ακροφύσιο και τον ελαστικό δακτύλιο από το στηρίγμα.

Τραβήξτε τη λαβή της ράβδου αργά προς τα πίσω έως ότου σταματήσει. (Εικ. 16)

Κόψτε το άκρο της κασέτας τύπου φιλμ.

Εισάγετε την κασέτα τύπου φιλμ στο στηρίγμα. (Εικ. 17)

Συνδέστε τον ελαστικό δακτύλιο, το ακροφύσιο και το καπάκι του στηρίγματος. Βεβαιωθείτε ότι το καπάκι του στηρίγματος είναι καλά σφικμένο.

Σπρώξτε τη ράβδο απαλά έως ότου το έμβολο

ακουμπήσει στο κάτω μέρος της κασέτας τύπου φιλμ.

ΣΗΜΕΙΩΣΗ:

- Να ελέγχετε πάντα την κασέτα τύπου φιλμ για ύπαρξη τρυπήματος ή ζημιάς πριν την εγκατάσταση. Μην χρησιμοποιήσετε μια κατεστραμμένη κασέτα, διαφορετικά το εργαλείο μπορεί να υποστεί ζημιά.

Άμεση πλήρωση

ΕΙΔΟΠΟΙΗΣΗ:

- Βεβαιωθείτε ότι το έμβολο C είναι στερεωμένο στη ράβδο. Μη χρησιμοποιήσετε άλλο τύπο εμβόλου για άμεση πλήρωση.
- Η άμεση πλήρωση μπορεί να εκτελεστεί μόνο με το μακρύ στηρίγμα (600 ml).

Αφαιρέστε το καπάκι του στηρίγματος, το ακροφύσιο και τον ελαστικό δακτύλιο από το στηρίγμα.

Βεβαιωθείτε ότι το χερούλι της ράβδου βρίσκεται στην πιο μπροστινή θέση.

Βουτήξτε το άνοιγμα του στηρίγματος μέσα στο σιλικονούχο υλικό.

Τραβήξτε αργά το χερούλι της ράβδου έως ότου να γεμίσει το στηρίγμα με την απαιτούμενη ποσότητα σιλικονούχου υλικού.

Συνδέστε τον ελαστικό δακτύλιο, το ακροφύσιο και το καπάκι του στηρίγματος. Βεβαιωθείτε ότι το καπάκι του στηρίγματος είναι καλά σφικμένο.

ΕΙΔΟΠΟΙΗΣΗ:

- Καθαρίστε το στηρίγμα με το κατάλληλο διαλυτικό μετά από κάθε ημέρα εργασίας. Διαφορετικά το κολλημένο σιλικονούχο υλικό μπορεί να προκαλέσει θραύση του εργαλείου.

ΕΙΔΟΠΟΙΗΣΗ:

- Καθαρίστε το στηρίγμα με το κατάλληλο διαλυτικό μετά από κάθε ημέρα εργασίας. Διαφορετικά το κολλημένο σιλικονούχο υλικό μπορεί να προκαλέσει θραύση του εργαλείου.

ΛΕΙΤΟΥΡΓΙΑ

⚠ ΠΡΟΣΟΧΗ:

- Μην αγγίζετε τη ράβδο κατά τη λειτουργία. Διαφορετικά το δάχτυλό σας μπορεί να μαγκώσει μεταξύ της ράβδου και του περιβλήματος του εργαλείου.
- Πάντοτε να φοράτε γάντια κατά τη λειτουργία.

ΕΙΔΟΠΟΙΗΣΗ:

- Μην καλύπτετε τους αεραγωγούς, διαφορετικά μπορεί να προκληθεί υπερθέρμανση και βλάβη στο εργαλείο.
- Εάν δεν μπορείτε να τραβήξετε έξω τη ράβδο, γυρίστε τον επιλογέα ρύθμισης ταχύτητας στο 1, και τραβήξτε τη σκανδάλη-δικακόπτης για μια στιγμή, και

ΠΡΟΑΙΡΕΤΙΚΑ ΑΞΕΣΟΥΑΡ

⚠️ ΠΡΟΣΟΧΗ:

- Συνιστάται η χρήση αυτών των αξεσουάρ ή εξαρτημάτων με το εργαλείο της Makita, όπως περιγράφεται στο παρόν εγχειρίδιο. Αν χρησιμοποιήσετε άλλα αξεσουάρ ή εξαρτήματα μπορεί να παρουσιαστεί κίνδυνος για πρόκληση τραυματισμού προσώπων. Να χρησιμοποιείτε τα αξεσουάρ και τα εξαρτήματα μόνο για το σκοπό για τον οποίο προορίζονται.

Αν χρειάζεστε κάποια βοήθεια ή περισσότερες πληροφορίες σχετικά με τα αξεσουάρ αυτά, απευθυνθείτε στο πλησιέστερο κέντρο εξυπηρέτησης της Makita.

- Έμβολο A
- Έμβολο B
- Έμβολο C
- Σετ κοντού στηρίγματος (300 ml)
- Σετ μακρού στηρίγματος (600 ml)
- Ακροφύσιο
- Γυαλιά προστασίας
- Αυθεντική μπαταρία και φορτιστής της Makita

ΣΗΜΕΙΩΣΗ:

- Ορισμένα από τα στοιχεία της λίστα μπορεί να περιέχονται στην συσκευασία του εργαλείου ως κανονικά αξεσουάρ. Αυτά ενδέχεται να διαφέρουν από χώρα σε χώρα.

Θόρυβος

ENG905-1

Το σύνθημα σταθμισμένο επίπεδο θορύβου που έχει καθοριστεί σύμφωνα με την EN60745:

Επίπεδο ηχητικής πίεσης (L_{pA}): 70 dB (A) ή λιγότερο
Αβεβαιότητα (K): 3 dB (A)

Το επίπεδο θορύβου σε λειτουργία ενδέχεται να υπερβεί τα 80 dB (A)

Να φοράτε ωτοασπίδες.

Δόνηση

ENG900-1

Η συνολική τιμή δόνησης (διανυσματικό άθροισμα τριών αξόνων) που έχει καθοριστεί σύμφωνα με την EN60745:

Εκπομπή δόνησης (a_{h1}): 2,5 m/s² ή λιγότερο
Αβεβαιότητα (K): 1,5 m/s²

ENG901-1

- Η δηλωθείσα τιμή των παραγομένων κραδασμών έχει καταμετρηθεί σύμφωνα με την τυποποιημένη μέθοδο δοκιμής και μπορεί να χρησιμοποιηθεί για την σύγκριση ενός εργαλείου με ένα άλλο.
- Η δηλωθείσα τιμή των παραγομένων κραδασμών μπορεί επίσης να χρησιμοποιηθεί για μια προκαταρκτική αξιολόγηση της έκθεσης στους κραδασμούς.

⚠️ ΠΡΟΕΙΔΟΠΟΙΗΣΗ:

- Η εκπομπή κραδασμών κατά τη διάρκεια της πραγματικής χρήσης του ηλεκτρικού εργαλείου μπορεί να διαφέρει από τη δηλωθείσα τιμή των εκπομπών, ανάλογα με τον τρόπο με τον οποίο χρησιμοποιείται το εργαλείο.
- Φροντίστε να λάβετε τα μέτρα ασφαλείας που απαιτούνται για την προστασία του χρήστη που βασίζονται σε μια εκτίμηση της έκθεσης σε πραγματικές συνθήκες χρήσης (λαμβάνοντας υπόψη όλα τα μέρη του κύκλου λειτουργίας, όπως είναι οι περιπτώσεις κατά τις οποίες το εργαλείο είναι απενεργοποιημένο και όταν λειτουργεί στο ρελαντί

προσπαθήστε να τραβήξετε τη ράβδο έξω αφού έχει σταματήσει το μοτέρ. Εάν η ράβδος εξακολουθεί να είναι κολλημένη, εκτελέστε την ίδια ενέργεια μέχρι η ράβδος να κινηθεί.

Κόψτε το άκρο του ακροφυσίου που είναι κατάλληλο για ατομική λειτουργία. Προσέξτε πόσο κόβετε το ακροφύσιο.

Η διάμετρος του ακροφυσίου επηρεάζει την ποσότητα παροχής του σιλικονούχου υλικού.

Τραβήξτε τη σκανδάλη για να διανεμίτε το σιλικονούχο υλικό.

Η ποσότητα του σιλικονούχου υλικού που διανέμεται καθορίζεται από τη σκανδάλη, τον επιλογή ρύθμισης ταχύτητας, τη διάμετρο του ανοίγματος του ακροφυσίου, τον τύπο του σιλικονούχου υλικού και τη θερμοκρασία.

Συνιστάται ο επιλογέας ρύθμισης ταχύτητας να είναι ρυθμισμένος στο "1" και τραβήξτε αργά τη σκανδάλη την πρώτη φορά για να ελέγξετε την ποσότητα του σιλικονούχου υλικού που διανέμεται.

Όταν η ράβδος φτάσει στο μπροστινό άκρο, ο κινητήρας αρχίζει να δουλεύει στο ρελαντί. Όταν αυτό συμβεί, αντικαταστήστε το σιλικονούχο υλικό.

ΣΗΜΕΙΩΣΗ:

Αν δεν μπορεί να διανεμηθεί το σιλικονούχο υλικό, ελέγξτε τα παρακάτω στοιχεία:

- Το άκρο του ακροφυσίου δεν έχει κοπεί επαρκώς. Κόψτε καταλλήλως το άκρο του ακροφυσίου για ατομική εργασία.
- Στερεοποιημένο υλικό μπλοκαρισμένο στο ακροφύσιο. Αφαιρέστε το στερεοποιημένο υλικό.
- Το φυσίγιο είναι κατεστραμμένο. Αντικαταστήστε το ακροφύσιο.
- Το σιλικονούχο υλικό είναι δύσκαμπτο. Θερμάνετε το υλικό μέχρι να γίνει μαλακό.
- Χρησιμοποιείται λανθασμένο έμβολο. Χρησιμοποιήστε το κατάλληλο έμβολο.

ΣΥΝΤΗΡΗΣΗ

⚠️ ΠΡΟΣΟΧΗ:

- Να βεβαιώνετε πάντοτε ότι έχετε σβήσει το εργαλείο και έχετε βγάλει την κασέτα μπαταρίας πριν προσπαθήσετε να εκτελέσετε οποιαδήποτε εργασία ελέγχου ή συντήρησης σε εκτός από την περίπτωση επίλυσης προβλήματος που σχετίζεται με τη λυχνία.
- Μην χρησιμοποιήσετε βενζίνη, βενζόλη, διαλυτικό, αλκοόλη ή κάτι παρόμοιο. Μπορεί να προκληθεί αποχρωματισμός, παραμόρφωση ή ρωγμές.
- Καθαρίστε το στήριγμα και τη ράβδο μετά από κάθε ημέρα εργασίας. Διατηρήστε τα ελεύθερα από κολλητικά υλικά. Αντικαταστήστε το σιλικονούχο υλικό πριν σκληρύνει. Το κολλητικό υλικό που αναπομένει μπορεί να προκαλέσει θραύση του εργαλείου.

Για να διατηρείται η ΑΣΦΑΛΕΙΑ και η ΑΞΙΟΠΙΣΤΙΑ του προϊόντος, οι εργασίες επισκευής, ο έλεγχος και η αλλαγή των καρβονακίων, καθώς και οποιαδήποτε άλλη εργασία συντήρησης και ρύθμισης, θα πρέπει να εκτελούνται σε εξουσιοδοτημένα κέντρα εξυπηρέτησης της Makita και πάντοτε με τη χρήση ανταλλακτικών της Makita.

επιπροσθέτως του χρόνου κατά τον οποίο το εργαλείο
βρίσκεται σε χρήση).

**Για Ευρωπαϊκές χώρες μόνο
ΕΚ – Δήλωση συμμόρφωσης**

ENH101-16

**Η Εταιρία Makita ως υπεύθυνος κατασκευαστής,
δηλώνει ότι το παρακάτω μηχάνημα(-τα) της Makita:**

Ονομασία μηχανήματος:

Πιστόλι σιλικόνης μπαταρίας

Αρ. Μοντέλου/Τύπος: BCG140, BCG180

αποτελούν παραγωγή σε σειρά και

Συμμορφώνονται με την ακόλουθη Ευρωπαϊκή

Οδηγία:

2006/42/EK

Και κατασκευάζεται σύμφωνα με το παρακάτω πρότυπο ή
τυποποιημένο έγγραφο:

EN60745

Τα τεχνικά έγγραφα διατηρούνται από το:

Makita International Europe Ltd.

Technical Department,

Michigan Drive, Tongwell,

Milton Keynes, Bucks MK15 8JD, England

31. 7. 2012



Tomoyasu Kato

Διευθυντής

Makita Corporation

3-11-8, Sumiyoshi-cho,

Anjo, Aichi, 446-8502, JAPAN

TÜRKÇE (Orijinal talimatlar)

Genel görünüm

- | | | |
|---------------------|------------------------|-------------------|
| 1. Kırmızı gösterge | 6. Uyarı lambası | 11. Tutucu kapağı |
| 2. Düşme | 7. Kilitleme mandalı | 12. Kauçuk halka |
| 3. Akü | 8. Açma/kapama düğmesi | 13. Nozül |
| 4. Yıldız işareti | 9. Lamba | |
| 5. Hız ayar düğmesi | 10. Mil kolu | |

TEKNİK ÖZELLİKLER

Model		BCG140		BCG180	
Maks. besleme kuvveti		5.000 N			
Besleme hızı		0 - 28 mm/s			
Strok	kısa (300 ml) tutucu ile	214 mm			
	uzun (600 ml) tutucu ile	350 mm			
Toplam uzunluk	kısa (300 ml) tutucu ile	404 mm			
	uzun (600 ml) tutucu ile	538 mm			
Standart akü		BL1415	BL1430	BL1815	BL1830
Net ağırlık	kısa (300 ml) tutucu ile	2,1 kg	2,2 kg	2,1 kg	2,3 kg
	uzun (600 ml) tutucu ile	2,5 kg	2,6 kg	2,5 kg	2,7 kg
Anma gerilimi		D.C.14,4 V		D.C.18 V	

- Sürekli yapılan araştırma ve geliştirmelerden dolayı, burada belirtilen özellikler önceden bildirilmeksizin değiştirilebilir.
- Özellikler ve akü ülkeye göre farklılıklar gösterebilir.
- EPTA Prosedürü 01/2003 uyarınca ağırlık (akü dahil)

Amaçlanan kullanım

ENE086-1

Bu makine, yüzeye sızdırmazlık malzemesi uygulanması için tasarlanmıştır.

Genel Elektrikli Aletler Güvenlik Uyarıları

GEA010-1

⚠ UYARI Tüm güvenlik uyarılarını ve tüm talimatları okuyun. Verilen uyarılara ve talimatlara uyulmaması elektrik çarpmasına, yangına ve/veya ciddi yaralanmalara yol açabilir.

Tüm uyarıları ve talimatları ilerde başvurmak üzere saklayın.

AKÜLÜ SİLİKON TABANCASIYLA İLGİLİ GÜVENLİK UYARILARI

GEB106-1

1. Ellerinizi ve kıyafetlerinizi mil ve piston alanından uzak tutun. Aksi takdirde, parmaklarınız veya kıyafetleriniz sıkışabilir.
2. Her zaman yere sağlam ve dengeli basın.
3. Makineyi sıkıca kavrayın.
4. Daima iyi havalandırılan ortamlarda çalışın ve gerçekleştirilecek çalışmaya uygun koruyucu kıyafet ve ekipmanlar kullanın.
5. Kullanmadan önce, sızdırmazlık malzemesi veya yapışkan malzemenin üreticisi tarafından verilen talimatları okuyun ve çalışma sırasında bunları dikkate alın.

BU TALİMATLARI SAKLAYIN.

⚠ UYARI:

Ürünü kullanırken defalarca kullanmanın getirdiği rahatlık ve tanıdıklık duygusunun, güvenlik kurallarına sıkı sıkıya bağlı kalmanızı önlemesine İZİN VERMEYİN. YANLIŞ KULLANIM veya bu kullanım kılavuzunda belirtilen güvenlik kurallarına uyulmaması ciddi yaralanmalara neden olabilir.

ÖNEMLİ GÜVENLİK TALİMATLARI

ENC007-7

AKÜ İÇİN

1. Aküyü kullanmaya başlamadan önce (1) akü şarj cihazı, (2) akü ve (3) akünün takıldığı ürüne ilişkin tüm talimatları ve uyarıları okuyun.
2. Aküyü sökmeye çalışmayın.
3. Çalışma süresinde önemli bir kısımla gözlerseniz, hemen çalışmayı bırakın. Bu durum aşırı ısınmaya, yangına ve hatta patlamaya yol açabilir.
4. Elektrolit (akü sıvısı) gözlerinize temas ederse, bol temiz suyla yıkayın ve derhal bir doktora başvurun. Elektrolit körlüğe neden olabilir.
5. Akünün kısa devre yapmasını önleyin:
 - (1) Herhangi bir iletken nesne ile akü uçlarına dokunmayın.
 - (2) Aküyü çivi, madeni para vb. metal nesnelere bulduğunuz bir yerde saklamayın.
 - (3) Aküyü suya veya yağmura maruz bırakmayın.

Aküde oluşan kısa devre büyük bir elektrik akımına, aşırı ısınmaya, yangına ve aletin bozulmasına yol açabilir.

6. Aleti ve aküyü 50°C (122°F) sıcaklığa ulaşabilecek veya bu değeri aşabilecek ortamlarda saklamayın.
7. Önemli ölçüde hasar görmüş veya tümüyle tükenmiş olsa da aküyü kesinlikle yakarak imha etmeye çalışmayın. Akü ateşe atıldığında patlayabilir.
8. Akünün düşmemesine ve darbe almamasına dikkat edin.
9. Hasarlı bir aküyü kesinlikle kullanmayın.

BU TALİMATLARI SAKLAYIN.

Akünün öngörülen maksimum ömrü dolana kadar kullanılması için öneriler

1. Aküyü tamamen boşalmasını beklemeden şarj edin.
Aletin çalışma gücünde bir azalma gördüğünüzde, mutlaka çalışmayı bırakıp, aküyü şarj edin.
2. Tam olarak şarj edilmiş bir aküyü tekrar şarj etmeyin.
Akünün normalden fazla şarj edilmesi ömrünü kısaltır.
3. Aküyü 10°C - 40°C (50°F - 104°F) değerlerini aşmayan oda sıcaklığında şarj edin. Akü ısınmışsa, şarj etmeden önce soğumasını bekleyin.
4. Makineyi uzun bir süre kullanmayacaksanız bile, aküsünü her altı ayda bir şarj edin.

KULLANIMA İLİŞKİN TANIMLAR

⚠ DİKKAT:

- Makine üzerinde ayar veya başka bir kontrol işlemi gerçekleştirmeden önce makinenin kapalı ve aküsünün çıkartılmış olduğundan emin olun.

Akünün takılması ve çıkartılması (Şekil 1)

⚠ DİKKAT:

- Aküyü takmadan ve çıkarmadan önce mutlaka makineyi kapalı konuma getirin.
- Aküyü takarken ve çıkartırken makineyi ve aküyü sıkıca tutun. Aksi takdirde, makine ve akü ellerinizden kayarak düşebilir ve neticesinde makine ve akü hasarları ve yaralanmalar meydana gelebilir.

Aküyü çıkarmak için akünün ön tarafında bulunan düğmeye bastırın ve aküyü çekerek makineden çıkartın. Aküyü takmak için aküdeki dili makine gövdesindeki girintiyle aynı hizaya getirin ve aküyü iterek yerine oturmasını sağlayın. Akünün tam yerine oturduğunu klik sesinden anlayabilirsiniz. Düğmenin üst tarafında bulunan kırmızı göstergiyi görürseniz, akü tam olarak kilitlememiştir.

⚠ DİKKAT:

- Kırmızı gösterge tamamen kayboluncaya kadar aküyü itin. Aksi takdirde, akü makineden kayıp düşebilir ve operatörün veya çevredeki kişilerin yaralanmasına neden olabilir.
- Aküyü zorlayarak takmaya çalışmayın. Akünün makineye rahatça takılmaması, yanlış takıldığını gösterir.

Akü koruma sistemi

Bu makinede bir akü koruma sistemi mevcuttur. Bu sistem, akü ömrünü uzatmak için motora beslenen gücü otomatik olarak keser. Makine ve/veya akü için aşağıda sıralanan durumlardan birinin geçerli olması halinde, çalışmayı otomatik olarak durdurur:

- Aşırı yüklenme:
Makine anormal yüksek akım çekecek şekilde çalışır. Böyle bir durumda, makine üzerindeki açma/kapama düğmesinden elinizi çekin ve makinenin aşırı yüklenmesine neden olan uygulamayı durdurun. Ardından, yeniden başlatmak için açma/kapama düğmesine tekrar basın.
Makine çalışmıyorsa, akü aşırı ısınmıştır. Böyle bir durumda, açma/kapama düğmesine tekrar basmadan önce akünün soğumasını bekleyin.
- Düşük akü gerilimi:
Kalan akü kapasitesi çok düşüktür ve makine çalışmıyordur. Böyle bir durumda, aküyü çıkartın ve şarj edin.

NOT:

Aşırı ısınma koruması yalnızca üzerinde yıldız işareti bulunan akülerle çalışır. (Şekil 2)

Hız ayar düğmesi (Şekil 3)

Makine hızı, düğme döndürülerek ayarlanabilir. Daha yüksek bir hız elde edilmesi için düğmenin 5 yönünde, daha düşük bir hız için ise düğmenin 1 yönünde döndürülmesi gerekir.

NOT:

- Hız ayar düğmesi, 5 konumuna kadar yükseltilebilir ve geri 1 konumuna düşürülebilir. Düğmeyi 5 konumunun üzerine ve 1 konumunun altına zorlamayın, aksi takdirde hız ayar işlevi doğru çalışmayabilir.
- Sızdırmazlık malzemesinin tipine ve durumuna bağlı olarak, düşük devirde çalışma sırasında mil takılabilir. Bu durumda, hız ayar düğmesini daha yüksek bir değere ayarlayın.

Aşırı yük uyarı lambası (Şekil 4)

Makine aşırı yüklendiğinde uyarı lambası kırmızı yanıp sönmeye başlar. Yük belirli bir noktaya ulaştığında, lamba sabit kırmızı yanmaya başlar ve makine durur. Makineyi yeniden çalıştırmak için, açma/kapama düğmesini serbest bıraktıktan sonra tekrar basın.

NOT:

Lamba yanıp sönyorsa veya sabit yanıyorsa, aşırı yüklenmenin nedenini kontrol edin. Hız ayar düğmesi parametresini düşürün ve nozul çapını artırın.

Açma/kapama işlemi

⚠ DİKKAT:

- Aküyü makineye takmadan önce, açma/kapama düğmesinin kusursuz çalıştığını ve açma/kapama düğmesi bırakıldığında makinenin "KAPALI" konuma döndüğünü kontrol edin.
- Makineyi kullanmadığınız zamanlarda, açma/kapama düğmesini KAPALI konumda kilitlemek üzere açma/kapama düğmesi kilidine A tarafından bastırın. (Şekil 5)

Açma/kapama düğmesine yanlışlıkla basılmasının önlenmesi için, bir açma/kapama düğmesi kilidi mevcuttur.

Makineyi çalıştırmak için, açma/kapama düğmesi kilidine B tarafından bastırın ve açma/kapama düğmesine basın. Makine hızı, açma/kapama düğmesine uyguladığınız basınç ile doğru orantılı artar. Makineyi durdurmak için parmağınızı açma/kapama düğmesinden çekin. İşiniz bittikten sonra mutlaka açma/kapama düğmesi kilidine A tarafından bastırın.

Lambanın açılması

⚠ DİKKAT:

- Doğrudan lambaya veya ışık kaynağına bakmayın. (Şekil 6)

Lambanın yanması için açma/kapama düğmesine basın. Lamba, açma/kapama düğmesine basıldığı sürece yanar. Açma/kapama düğmesi bırakıldıktan yaklaşık 10 saniye sonra lamba otomatik olarak söner.

NOT:

- Lambanın lensindeki kiri silmek için kuru bir bez kullanın. Lensin çizilmemesine dikkat edin, aksi takdirde lambanın aydınlatma gücü azalır.
- Makine aşırı yüklenirse, lambadan çıkan ışık titremeye başlar. Tekrar çalıştırmadan önce makinenin tamamen soğumasını bekleyin.

Damlama önleme işlevi

Açma/kapama düğmesi bırakıldıktan sonra makine kısa bir süre daha çalışmaya devam eder. Böylece, sızdırmazlık malzemesinin basıncı boşaltılır ve damlama önlenmiş olur.

MONTAJ

⚠ DİKKAT:

- Makine üzerinde herhangi bir işlem yapmadan önce makinenin kapalı ve aküsünün çıkartılmış olduğundan emin olun.
- Herhangi bir montaj işlemi gerçekleştirirken makineyi daima yere veya tezgah üzerine bırakın. Makine sıkı tutulmazsa dengesini kaybedebilir ve yaralanmalara yol açabilir.

Tutucu bağlantısının takılması (Şekil 7)

Tutucu bağlantısını makineye sağlam şekilde takın, plakayı yerleştirin ve vidalarla sağlam şekilde sabitleyin. Açma/kapama düğmesini sökmek için, yukarıdaki prosedürü ters sırayla uygulayın.

NOT:

- Bir tanesi kısa tutucu (300 ml) ve diğer uzun tutucu (600 ml) olmak üzere, iki tip tutucu (opsiyonel aksesuar) mevcuttur. Buna göre uygun tutucu bağlantısını kullanın.

Milin ve pistonun takılması (Şekil 8 ve 9)

Mili makinenin yuvasına yerleştirin.

Pistonu takın ve bir vidayla sıkın.

Mili ve pistonu sökmek için, montaj işlemlerini ters sırayla uygulayın.

İKAZ:

- Mil üzerindeki dişler mutlaka aşağı bakmalıdır.

- Üç farklı tipte piston mevcuttur. Piston A, kartuşlar içindir. Piston B, film tipi paketler içindir. Piston C ise doğrudan doldurma içindir.
- Pistonu kullandığınız sızdırmazlık malzemesi kabının tipine uygun olarak seçin. Yanlış piston seçimi, kaçaklara veya makinenin arızalanmasına neden olabilir.
- İki farklı mil tipi mevcuttur. Kısa mil, kısa tutucu (300 ml) için ve uzun mil, uzun tutucu (600 ml) içindir. Tutucu tipine uygun mili kullanın.
- Mili ve pistonu daima temiz tutun. Yapışan sızdırmazlık malzemeleri makineye zarar verebilir.

Tutucunun takılması (Şekil 10 ve 11)

Tutucunun alt kısmını ve tutucu bağlantısını sabit tutarken tutucuyu saat yönünde çevirin. Durana kadar sağlam şekilde sıkın.

Tutucunun tam olarak sıkıldığından emin olun. Aksi takdirde, makine hasar görebilir.

Tutucuyu çıkarmak için, saat yönünün tersine çevirin.

NOT:

- İşlemi kolaylaştırmak için, tutucuyu duruma göre çevirebilirsiniz.
- Kısa tutucu (300 ml) yalnızca kartuşlar içindir. Kısa tutucuyla (300 ml) yalnızca piston A'yı kullanın; bu tutucuyu kesinlikle film tipi paketler veya doğrudan doldurma için kullanmayın. Ayrıca, daima tutucu tipine uygun mili kullanın.

Kartuşun takılması

İKAZ:

- Mile piston A'nın takılı olduğundan emin olun. Kartuş için başka tipte piston kullanmayın.

Kartuşun kısa tutucuya (300 ml) takılması (Şekil 12)

Mil kolunu durana kadar yavaşça geriye doğru çekin.

(Şekil 13)

Kartuşu şekilde gösterildiği gibi tutucuya yerleştirin.

Mili, piston kartuşun alt kısmına temas edene kadar yavaşça bastırın.

Kartuşu çıkarmak için, mili durana kadar geriye doğru çekin ve ardından kartuşu çekerek çıkartın.

Kartuşun uzun tutucuya (600 ml) takılması (Şekil 14)

Tutucu kapağını tutucudan çıkartın.

Mil kolunu durana kadar yavaşça geriye doğru çekin.

(Şekil 15)

Kartuşu tutucuya yerleştirin.

Tutucu kapağını takın. Sağlam şekilde sıkıldığından emin olun.

Mili, piston kartuşun alt kısmına temas edene kadar yavaşça bastırın.

Kartuşu çıkarmak için, tutucu kapağını çıkartın ve ardından kartuşu çekerek çıkartın.

İKAZ:

- Takmadan önce daima kartuşun delik veya hasarlı olmadığını kontrol edin. Hasarlı kartuşları kullanmayın, aksi takdirde, makine hasar görebilir.
- Kısmen kullanılmış bir kartuşu kullanacaksanız, kartuş üzerine yapışan malzemeleri temizleyin.

Film tipi paketin takılması

İKAZ:

- Mile piston B'nin takılı olduğundan emin olun. Film tipi paket için başka tipte piston kullanmayın.
- Film tipi paket yalnızca uzun tutucuya (600 ml) takılabilir.

Tutucu kapağını, nozül ve kauçuk halkayı tutucudan çıkartın.

Mil kolunu durana kadar yavaşa geriye doğru çekin.

(Şekil 16)

Film tipi paketin ucunu kesin.

Film tipi paketi tutucuya yerleştirin. (Şekil 17)

Kauçuk halkayı, nozülü ve tutucu kapağını takın. Tutucu kapağının sağlam şekilde sıklığından emin olun.

Mili, piston film tipi paketin alt kısmına temas edene kadar yavaşa bastırın.

NOT:

- Takmadan önce daima film tipi paketin delik veya hasarlı olmadığını kontrol edin. Hasarlı paketleri kullanmayın, aksi takdirde, makine hasar görebilir.

Doğrudan doldurma

İKAZ:

- Mile piston C'nin takılı olduğundan emin olun. Doğrudan doldurma için başka tipte piston kullanmayın.
- Doğrudan doldurma yalnızca uzun tutucuya (600 ml) yapılabilir.

Tutucu kapağını, nozül ve kauçuk halkayı tutucudan çıkartın.

Mil kolunun en ön konumda olduğundan emin olun.

Tutucu ağızını sızdırmazlık malzemesine daldırın.

Mil kolunu, tutucuya yeterli miktarda sızdırmazlık malzemesi dolana kadar yavaşa çekin.

Kauçuk halkayı, nozülü ve tutucu kapağını takın. Tutucu kapağının sağlam şekilde sıklığından emin olun.

İKAZ:

- Her çalışma gününün sonunda tutucuyu uygun bir çözücüyle temizleyin. Aksi takdirde, yapışan sızdırmazlık malzemeleri makinenin hasar görmesine neden olabilir.

ÇALIŞTIRMA

⚠ DİKKAT:

- Çalışma sırasında mile dokunmayın. Aksi takdirde, parmağınız mil ile makine gövdesi arasında sıkışabilir.
- Çalışma sırasında daima koruyucu gözlük takın.

İKAZ:

- Havalandırma deliklerini kapatmayın; aksi takdirde makine aşırı ısınabilir ve hasar görebilir.
- Mili çıkartamıyorsanız, hız ayar düğmesini 1 konumuna getirin ve açma/kapama düğmesine çok kısa bir süre basın ve motor durduktan sonra tekrar mili çıkarmayı deneyin. Mil hala çıkmıyorsa, mil hareket edene kadar aynı işlemi tekrarlayın.

Her bir çalışma için nozül ucunu gerektiği şekilde kesin.

Nozülü ne kadar kestiğinize dikkat edin. Nozül çapı, uygulanacak sızdırmazlık malzemesi miktarını etkiler.

Sızdırmazlık malzemesini uygulamak üzere açma/kapama düğmesine basın.

Uygulanacak sızdırmazlık malzemesi miktarı açma/kapama düğmesine ne kadar basıldığı, hız ayar düğmesinin konumu, nozül açıklığının çapı, sızdırmazlık malzemesinin tipi ve sıcaklığa göre değişir. Hız ayar düğmesinin "1" konumuna ayarlanması ve uygulanacak sızdırmazlık malzemesi miktarının görülmesi için açma/kapama düğmesine başlangıçta yavaşa basılması önerilir.

Mil ön sona ulaştığında, motor rölantide çalışmaya başlar. Bu durumda sızdırmazlık malzemesini değiştirin.

NOT:

Sızdırmazlık malzemesi çıkmıyorsa, şu hususları kontrol edin:

- Nozül ucu yeterince kesilmemiştir. Her bir çalışma için nozül ucunu gerektiği şekilde kesin.
- Sertleşen malzeme nozülü tıkamıştır. Sertleşen malzemeyi temizleyin.
- Kartuş hasarlıdır. Kartuşu değiştirin.
- Sızdırmazlık malzemesi serttir. Yumuşayana kadar malzemeyi ısıtın.
- Yanlış piston kullanılıyordur. Doğru piston kullanın.

BAKIM

⚠ DİKKAT:

- İşlemlerle ilgili aşağıdaki sorun giderme işlemleri hariç; makinede herhangi bir kontrol veya bakım işlemine başlamadan önce makinenin kapalı ve aküsünün çıkarılmış olduğundan emin olun.
- Kesinlikle gazolin, benzin, tiner, alkol veya benzeri bir madde kullanmayın. Aksi takdirde renk bozulması, deformasyon veya çatlaklar meydana gelebilir.
- Her çalışma gününün sonunda tutucuyu ve mili temizleyin. Bu parçalarda yapışkan malzemelerin kalmamasına dikkat edin. Sızdırmazlık malzemesini sertleşmeden önce temizleyin. Kalan yapışkan malzeme, makinenin bozulmasına neden olabilir. Ürünün EMNİYETLİ ve GÜVENİLİR durumunda tutulması için tüm onarımlar, karbon fırça kontrolü, parça değiştirme, bakım veya ayarlamalar mutlaka Makita yedek parçaları kullanılarak, Makita yetkili servisleri veya fabrika servis merkezleri tarafından yapılmalıdır.

OPSİYONEL AKSESUARLAR

⚠ DİKKAT:

- Bu kullanım kılavuzunda tanıtilen Makita marka makineyle aşağıdaki aksesuarların ve parçaların kullanılması önerilir. Bunların dışında başka aksesuarların veya parçaların kullanılması yaralanmalara yol açabilir. Aksesuarlar ve parçalar doğru şekilde ve öngörüldükleri işlevler için kullanılmalıdır.

Aksesuarlara ilişkin daha ayrıntılı bilgi almak için size en yakın yetkili Makita servisine başvurabilirsiniz.

- Piston A
- Piston B
- Piston C
- Kısa tutucu (300 ml) seti
- Uzun tutucu (600 ml) seti
- Nozül
- Koruyucu gözlük
- Orijinal Makita akü ve şarj cihazı

NOT:

- Listedeki bazı parçalar makineyle birlikte standart aksesuar olarak verilebilir. Ürünle verilen aksesuarlar ülkeden ülkeye farklılıklar gösterebilir.

Gürültü ENG905-1
EN60745 uyarınca belirlenen tipik A ağırlıklı gürültü seviyesi:

Ses basıncı seviyesi (L_{pA}): 70 dB (A) veya daha düşük

Belirsizlik (K): 3 dB (A)

Çalışma sırasında gürültü seviyesi 80 dB (A)'yı aşabilir.
Koruyucu kulaklık takın.

Titreşim ENG900-1
EN60745'e göre belirlenen toplam titreşim değeri (üç eksenli vektörel toplam):

Titreşim emisyonu (a_{T1}): 2,5 m/s² veya daha düşük
Belirsizlik (K): 1,5 m/s²

ENG901-1

- Belirtilen titreşim emisyonu değeri, standart test yöntemine göre ölçülmüştür ve makinenin diğer makinelerle karşılaştırılması için kullanılabilir.
- Belirtilen titreşim emisyonu değeri ayrıca maruziyetin ön değerlendirilmesinde de kullanılabilir.

⚠ UYARI:

- Elektrikli aletin gerçek kullanımı sırasında ortaya çıkacak titreşim emisyonu, aletin kullanıma şekline bağlı olarak belirtilen emisyon değerinden farklı olabilir.
- Gerçek kullanım koşullarındaki maruziyeti tahmin ederek (örneğin, aletin açılma süresine ek olarak kapalı konuma getirildiği ve rölantide çalıştığı süreler gibi çalışma döngüsünün tüm bileşenlerini dikkate alın), kullanıcıyı korumak için gerekli güvenlik önlemlerinin alındığından emin olun.

Yalnızca Avrupa ülkeleri için ENH101-16
AT Uygunluk Beyanı

**Makita Corporation, sorumlu üretici firma olarak,
Makita marka makine/makineler ile ilgili şu hususları beyan eder:**

Makinenin Adı:

Akülü Silikon Tabancası

Model Numarası/Tipi: BCG140, BCG180

seri üretimdir ve

Şu Avrupa Yönergelerine uygundur:

2006/42/EC

Ve şu standartlara veya standartlaştırılmış belgelere uygun olarak üretilmiştir:

EN60745

Teknik dokümanlar şu firma tarafından saklanmaktadır:

Makita International Europe Ltd.

Technical Department,

Michigan Drive, Tongwell,

Milton Keynes, Bucks MK15 8JD, İngiltere

31. 7. 2012



Tomoyasu Kato
Müdür

Makita Corporation
3-11-8, Sumiyoshi-cho,
Anjo, Aichi, 446-8502, JAPAN

Makita Corporation
Anjo, Aichi, Japan

www.makita.com

885189A990

ALA